



CAL LIGHTING

3625 E. Philadelphia St. Ontario CA. 91761 • Tel: 909.947.5200 • Fax:
909.947.5673 • www.calighting.com • service@calighting.com •
Specifications subject to change without notice

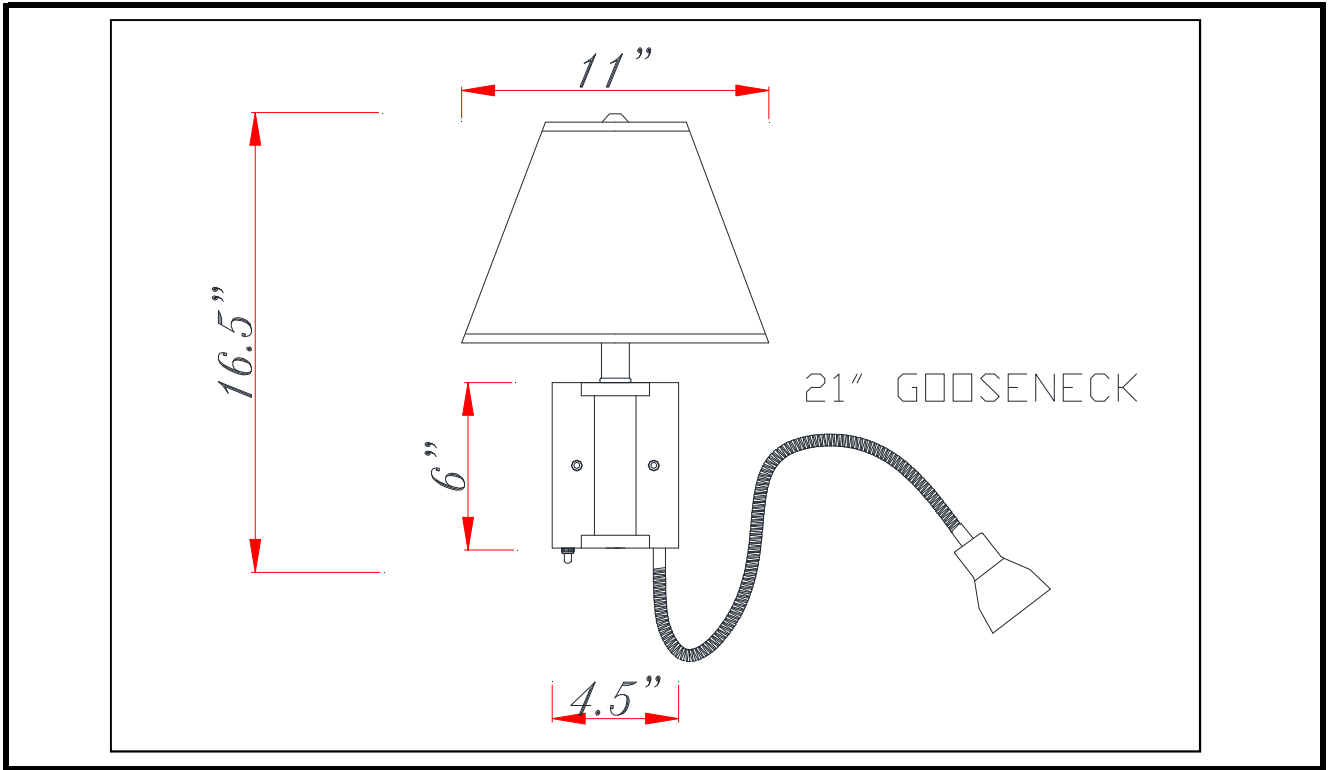
Type: _____

Project: _____

Catalog No.: _____

Lamp/Wattage: _____

Drawing:



- Model No:** LA-60003WL-2
- Description:** 60W Rio metal fixed arm wall wall lamp with on/off push button switch plus a 3W LED reading lamp
- Material:** METAL
- Finish :** Brushed Steel
- Height:** 16.5" (goose neck 21")
- Base Width:** 4.5"x6"
- Harp Size:** 6.5"
- Wattage :** 60W + 3W LED
- Socket :** Medium Base (E26) + LED GU10
- Switch:** On/off push button switch
- Bulb:** Incandescent, CFL
- Power Outlet:** N/A
- Cord:** SPT-2
- Cord Length:** 6'
- Cord Color:** Silver
- Shade No:** SH-1137
- Material:** FABRIC
- Shade size:** (3.5"+5") X (8"+11") X 8.5"

Certificate :

