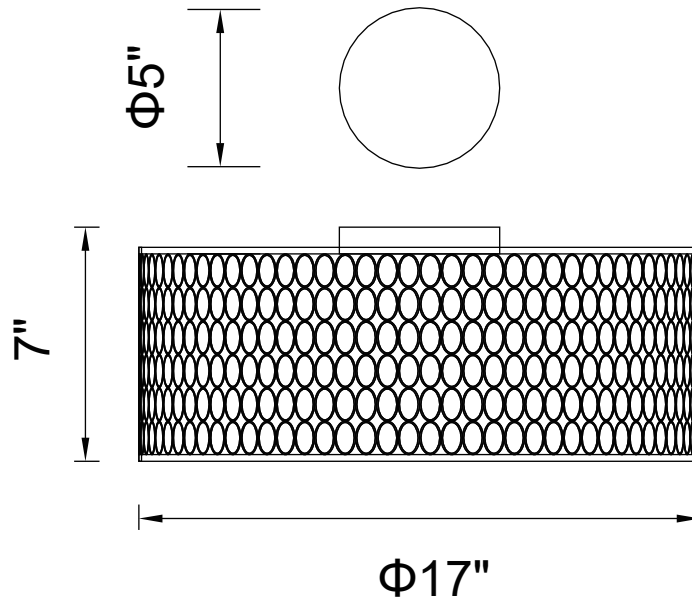


PROJECT: _____

FIXTURE TYPE: _____

LOCATION: _____

CONTACT/PHONE: _____



| | |
|------------|-----------------|
| Item | 5555C17SN |
| Collection | MIKAYLA |
| Finish | Satin Nickel |
| Glass | ----- |
| Crystal | ----- |
| Input | 120V AC,60HZ,AC |

| | |
|-------------|-------|
| Shade | ----- |
| Length/Dia. | 17" |
| Width/Ext. | ----- |
| Height | 7" |
| Maximum | ----- |
| Lumens | ----- |

| | |
|--------------|-------|
| Light Source | E26 |
| Bulb Info. | 3×60W |
| Included | ----- |
| Dimmable | Yes |
| Color | ----- |
| Weight | |