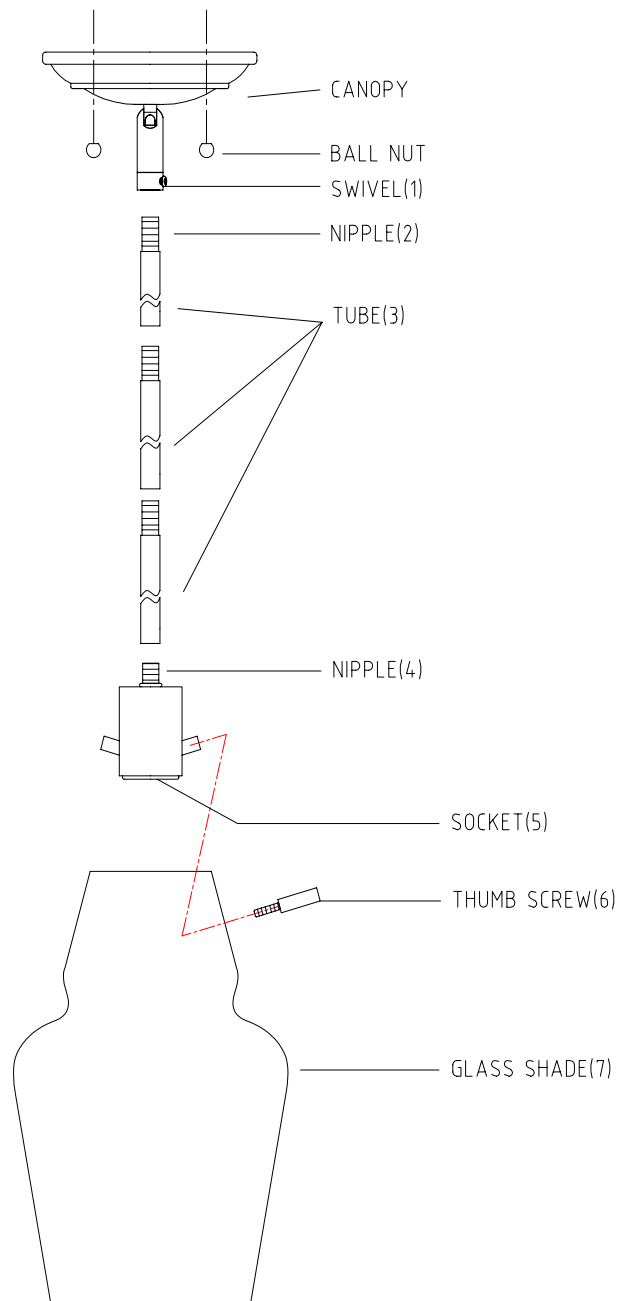




LIGHTING

ITEM NO : 7-4134-1-13
7-4134-1-SN



INSTALLATION INSTRUCTIONS

1. Carefully remove the fixture out of the carton, and check that all parts are included referring to the above illustration. Make sure not to misplace any parts that are needed for the installation;
2. Install the nipple(2) into swivel(1), then install the tube(3) onto nipple(2) and nipple(4);
3. Put the glass shade(7) onto socket(5), and secure it with thumb screw(6);
4. The fixture is assembled!