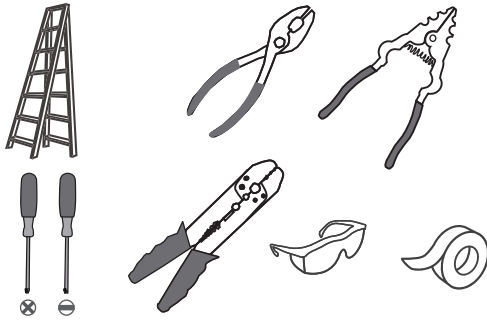
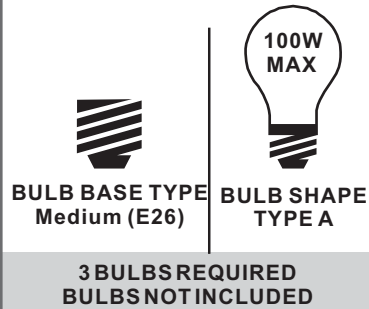


Tools Required



Light Source



Option 1 (socket up): Fixture Height Adjustable 21" to 68"

Option 2 (socket down): Fixture Height Adjustable 25.5" to 72.5"

Warnings and Cautions

Turn off the electricity at the circuit breaker before installation. Consult a licensed electrician if in doubt about installation.

Turn off power to the fixture and allow the bulbs to cool before replacing.

Package Contents

Preparation: Identify and inspect all parts before beginning the installation.

Missing or damaged parts? Contact your original place of purchase.

PARTS BAG

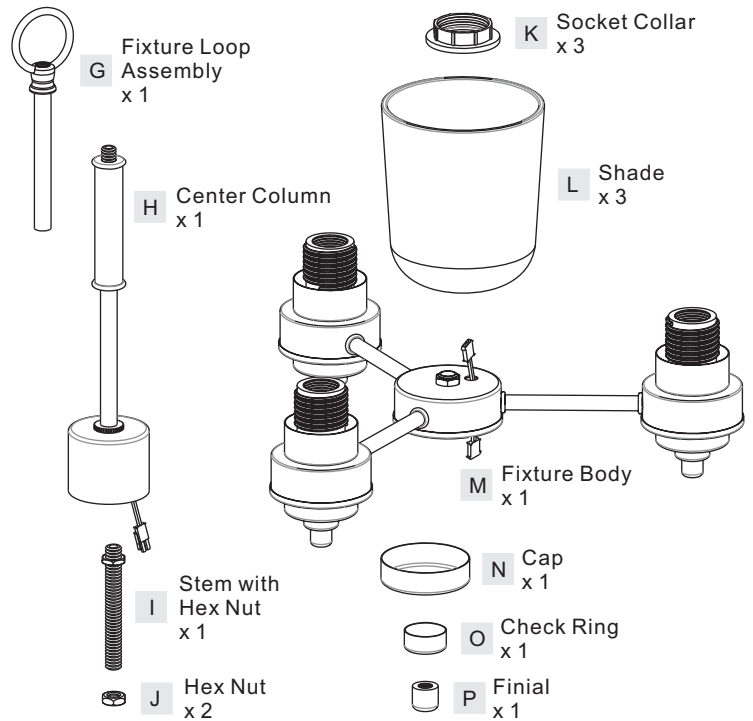
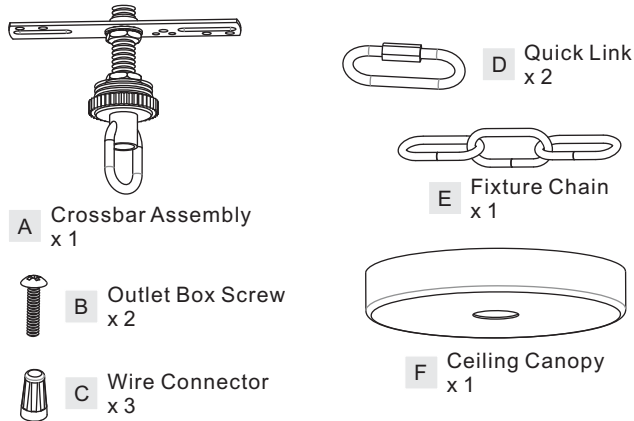
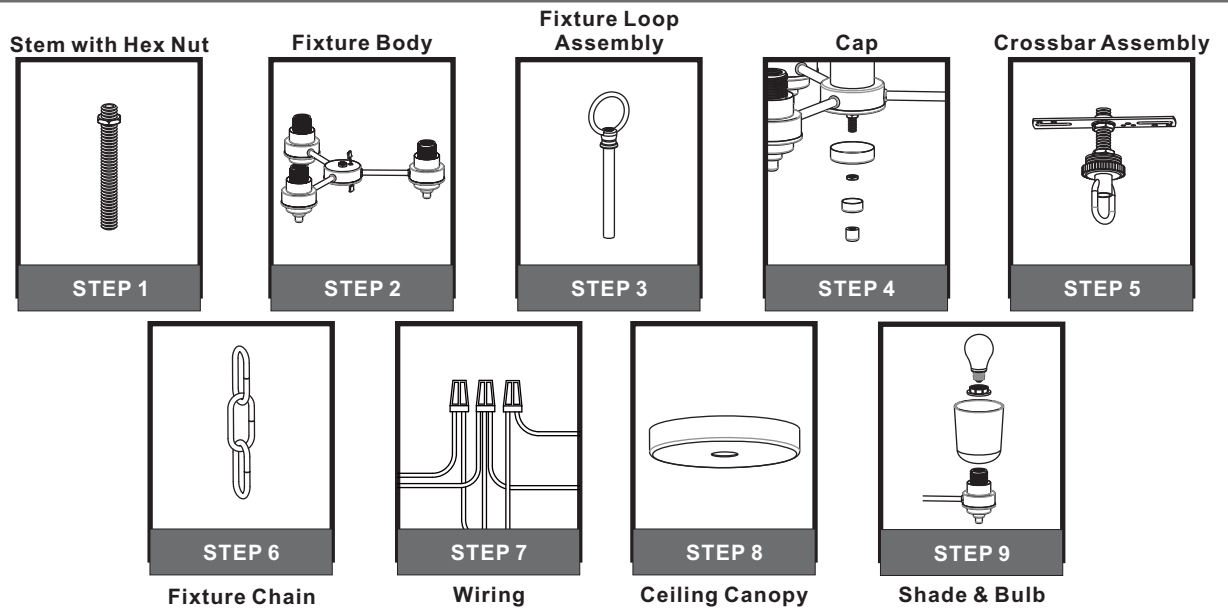
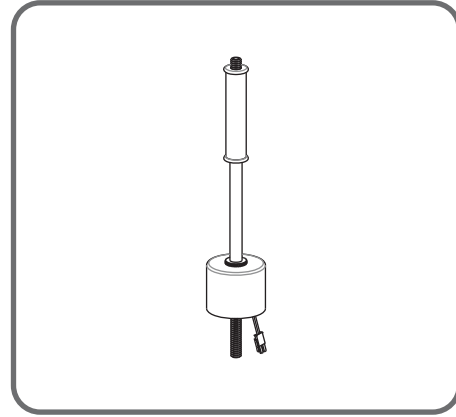
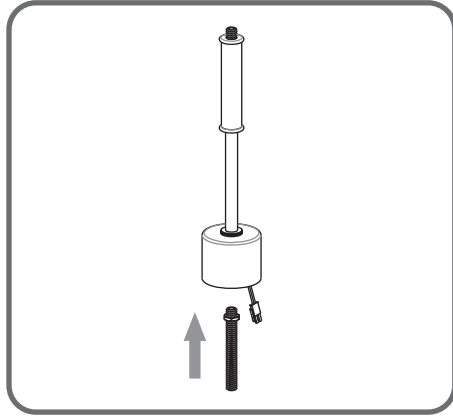


Table of Contents

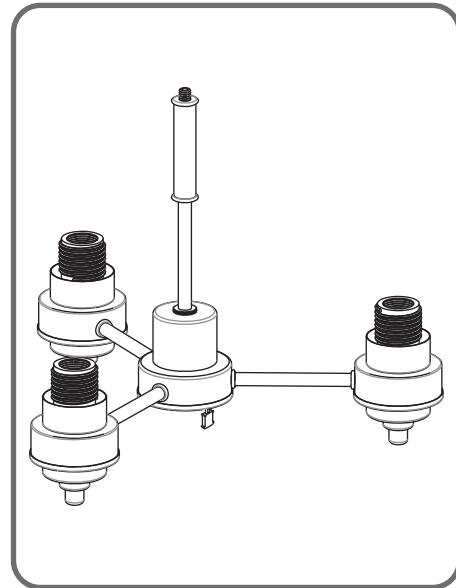
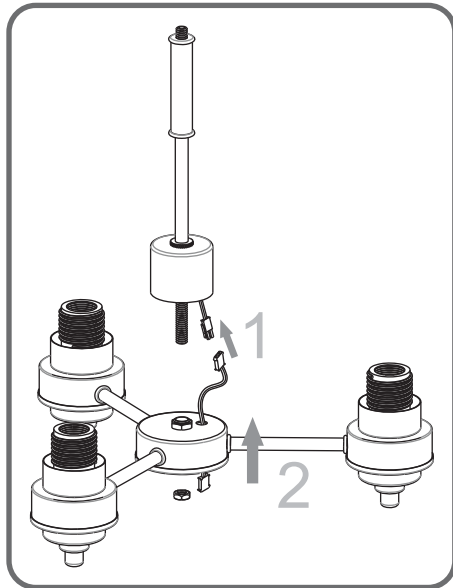


STEP 1

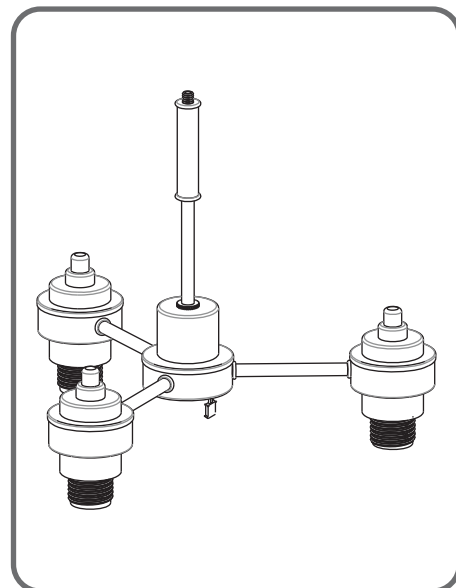
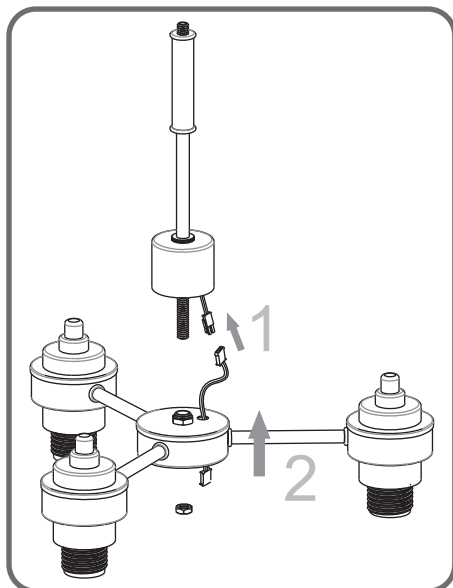


STEP 2

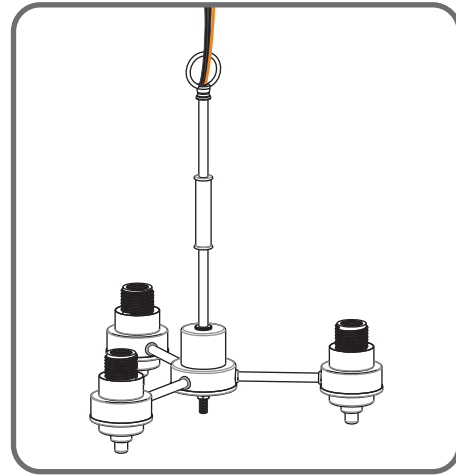
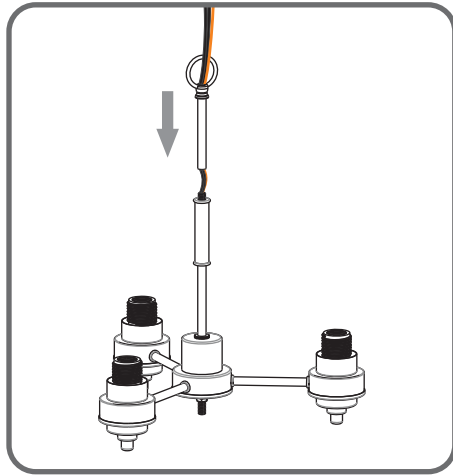
OPTION 1



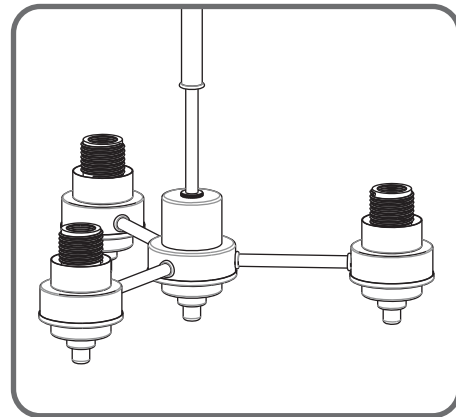
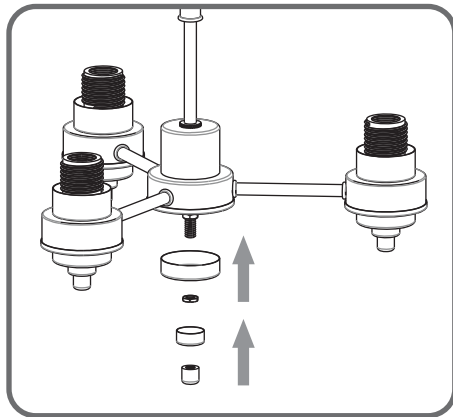
OPTION 2



STEP 3



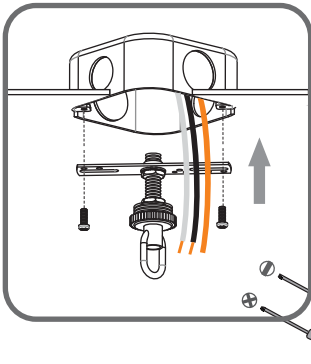
STEP 4



STEP 5

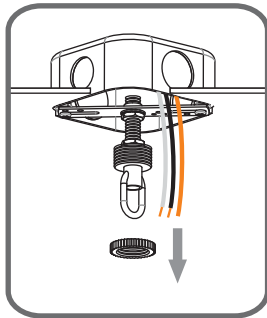
1

Step 1
Install crossbar assembly

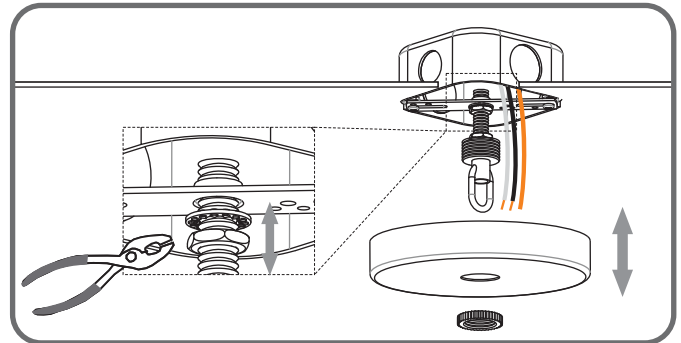


2

Step 2 - 3
Test fitting ceiling canopy to nipple



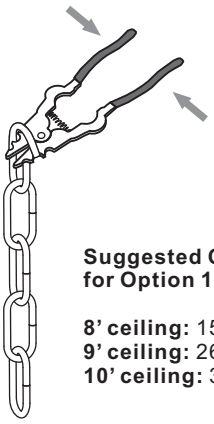
3



STEP 6

1

Step 1
Adjust fixture chain length

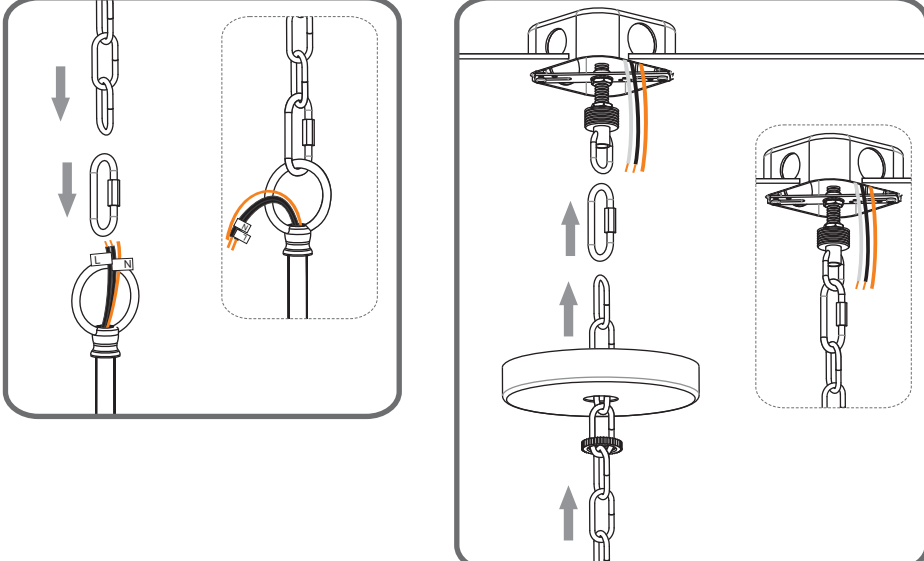


Suggested Chain Length for Option 1:
 8' ceiling: 15" Chain
 9' ceiling: 26" Chain
 10' ceiling: 37" Chain

Suggested Chain Length for Option 2:
 8' ceiling: 10.5" Chain
 9' ceiling: 21.5" Chain
 10' ceiling: 32.5" Chain

2

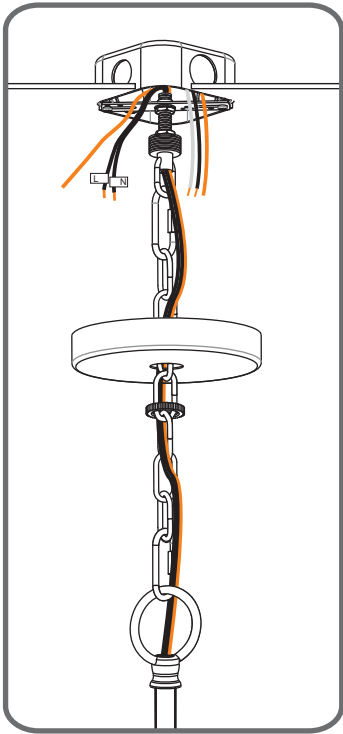
Step 2 - 3
Install Fixture Chain



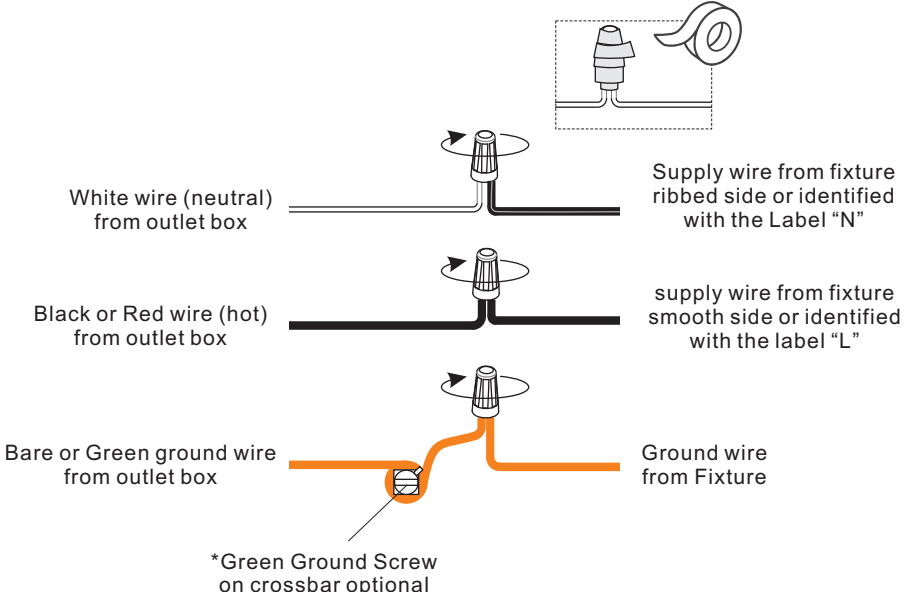
STEP 7

1

Step 1
Feed the fixture wires through the loop



2



White wire (neutral) from outlet box

Black or Red wire (hot) from outlet box

Bare or Green ground wire from outlet box

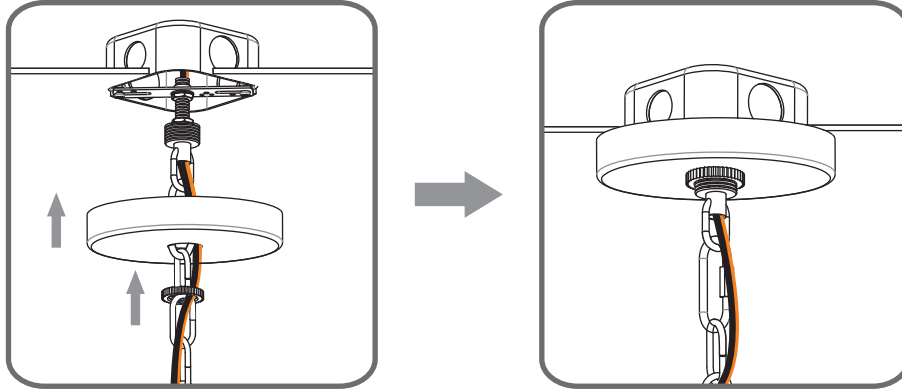
Supply wire from fixture ribbed side or identified with the Label "N"

supply wire from fixture smooth side or identified with the label "L"

Ground wire from Fixture

*Green Ground Screw on crossbar optional

STEP 8



STEP 9

