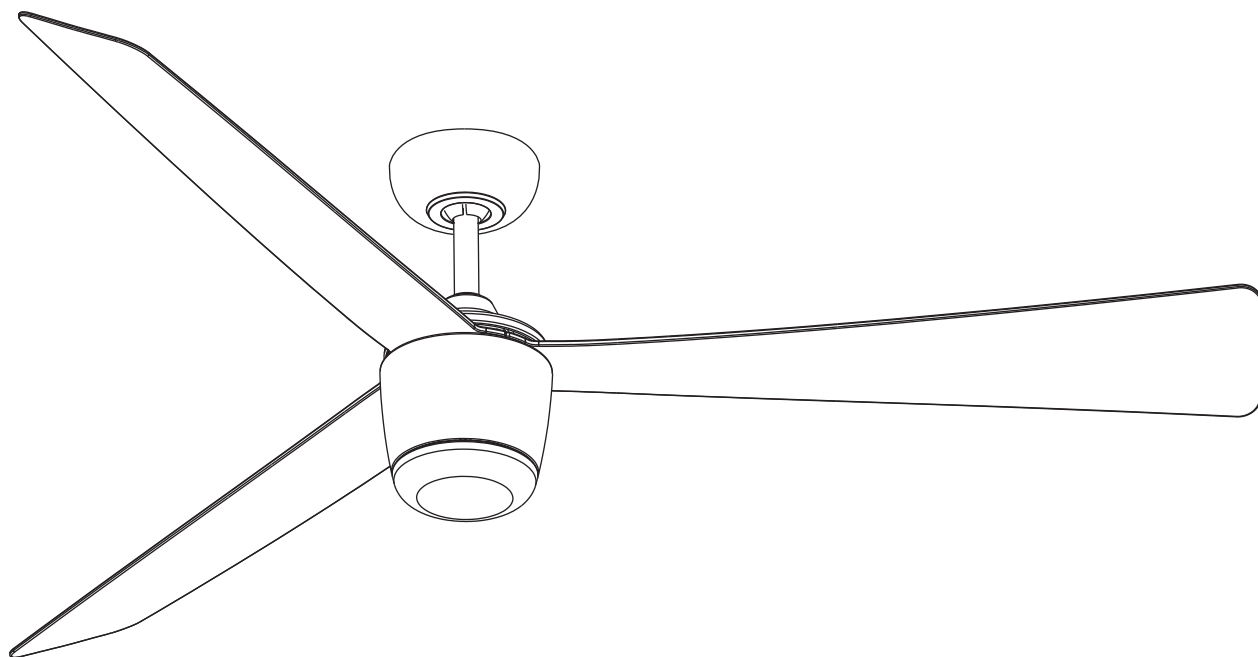


STAR FANS

# STAR7

## User's manual



**WARNING :** Read and follow these instructions carefully and be mindful of all warnings shown throughout.

## READ AND SAVE THESE INSTRUCTIONS

**WARNING : TO REDUCE THE RISK OF FIRE, ELECTRICAL SHOCK, OR INJURYS, PLEASE OBSERVE THE FOLLOWING :**

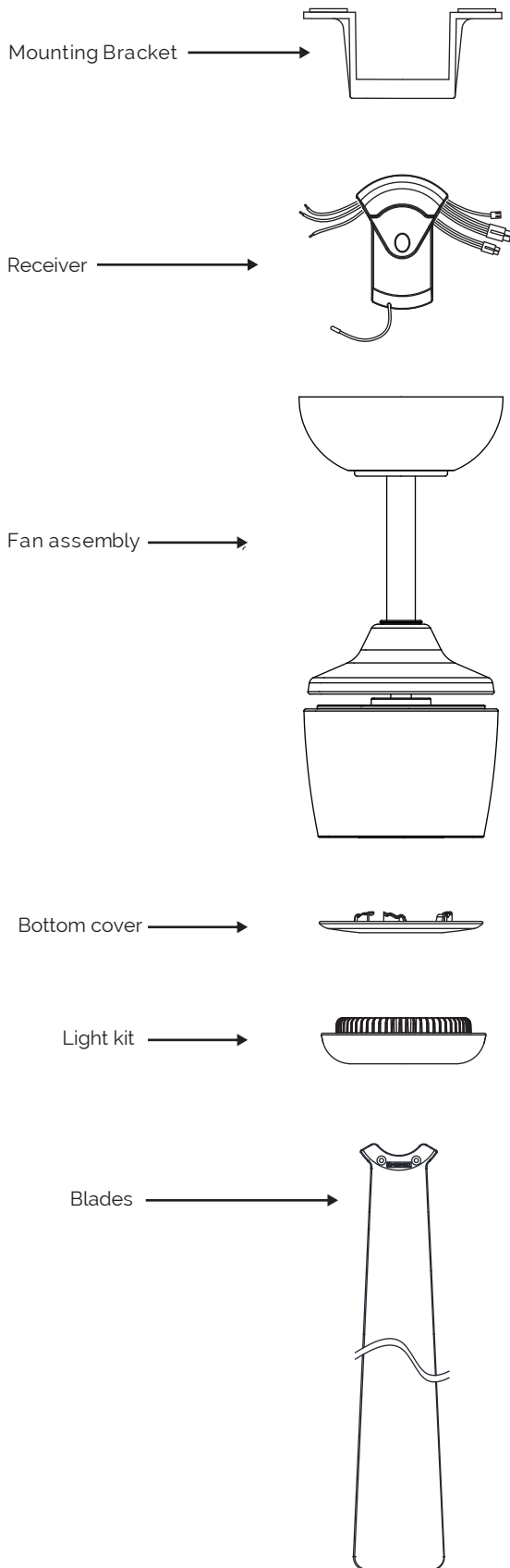
- 1). To ensure the success of the installation, be sure to read the instructions and review the diagrams thoroughly before beginning.
- 2). To avoid possible electric shock, be sure electricity is turned off at the main power box before wiring. All electrical connections must be made in accordance with local codes, ordinances and/or the National Electric Code. If you are unfamiliar with the methods of installing electrical wiring and products, secure the services of a qualified and licensed electrician as well as someone who can check the strength of the supportive ceiling members and make the proper installations and connections.
- 3). Make sure that your installation site will not allow rotating fan blades to come in contact with any object. Blades should be at least 7 feet from the floor when the fan is in operation.
- 4). If possible, mount ceiling fan on a ceiling joist - the joist must be able to support the motion and weight of the moving fan. If the fan will be mounted on a ceiling outlet box, make sure it will support at least 50 lbs. The box and its supporting members must not be able to twist or work loose. **DO NOT USE PLASTIC BOXES.** Installation on a concrete ceiling should be performed by qualified personnel.
- 5). Fan motor housing should be kept in carton until ready to be installed to protect its finish. If you are installing more than one ceiling fan, make sure that you do not mix fan blade sets.
- 6). After making electrical connections, spliced conductors should be turned upward and pushed carefully up into outlet box. The wires should be spread apart with the grounded conductor and the equipment - grounding conductor on one side of the outlet box and the " HOT " wires on the other side.
- 7). Electrical diagrams with various different colors are for reference only. Make sure that the fan voltage (120) is compatible with your own electrical system.
- 8). After fan is completely installed, check to make sure that all connections are secure to prevent fan from falling and/or causing damage or injury.

**"WARNING": "To Reduce The Risk Of Fire, Electric Shock, Or Personal Injury, Mount To Outlet Box Marked Acceptable for Fan Support of 15.9 kg (35 lbs) or less And Use Mounting Screws Provided With The Outlet Box."**

[www.starfans.co](http://www.starfans.co)



# Unpack and inspect fan carefully to be certain all contents are included.



## Hardware Bag

### For Mounting Bracket:

Flat Washer	x2			
Spring Washer	x3			
Machine Screw	x2			
Wood Screw	x2			
(For Wood beam)				

### For Wire Connection:

Wire Nut	x3			
----------	----	--	--	--

### For Blade Installation:

Blade Screw x 7 (one spare screw included)



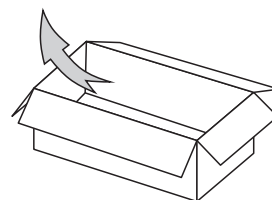
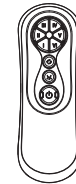
### For Blade Balance :

Balanced slide x 1

Weight block (3G x 3)



## Remote Control

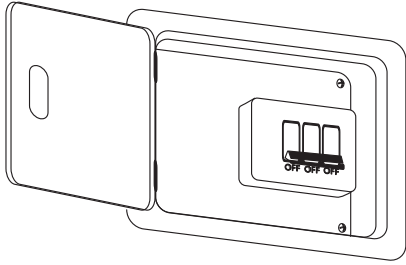


Unit pack /all in one box

**WARNING: blades should be at least 7 feet from floor**

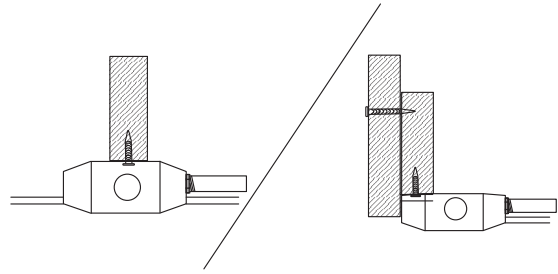
**Note 1:**

Turn off power at breaker box to avoid possible electrical shock.



**Note 2:**

Use metal outlet box suitable for fan support. Outlet box must support 35 lbs min.



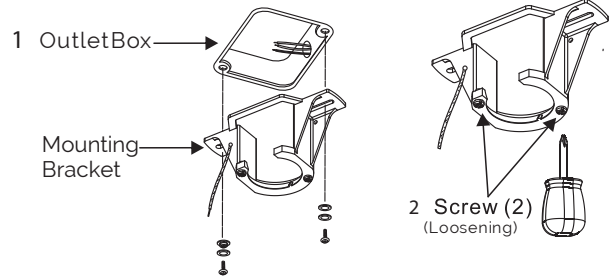
**1. HANGING SYSTEM INSTALLATION**

**1A. Installing mounting bracket to ceiling outlet box**

1 Install mounting bracket to outlet box in ceiling by using screws included with the outlet box and washers from the hardware bag.

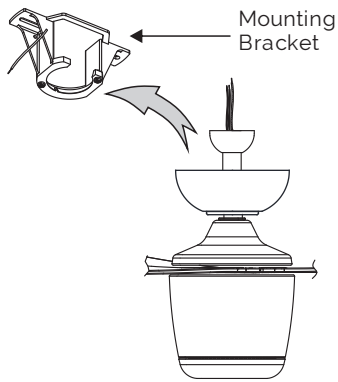
2 Loosen the bottom screws from Mounting Bracket.

**Do not remove.**

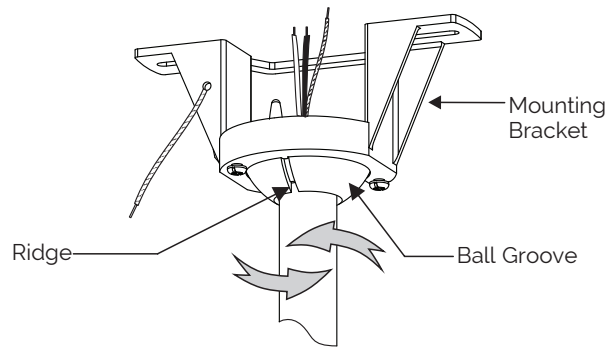


## 1C. Hanging the fan

Lift fan assembly onto Mounting Bracket.



Rotate fan to let the groove on the ball engages the ridge in the Mounting Bracket.



## 2B. Connect the wire

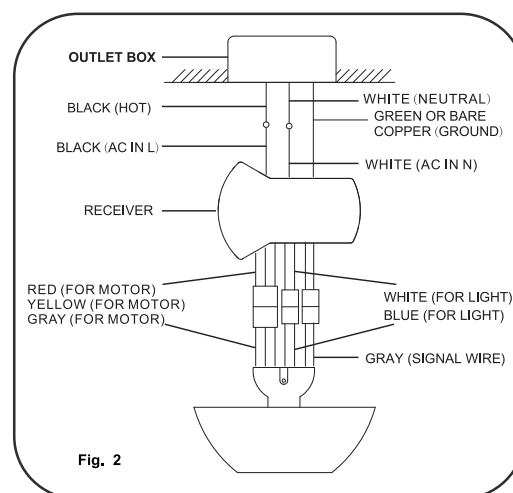
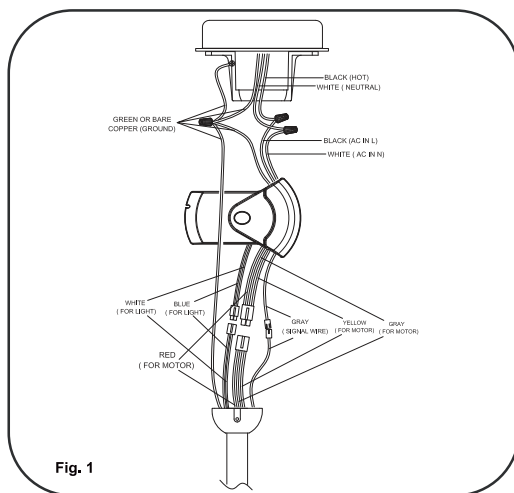
Step 1. Receiver to House Supply Wires Electrical Connections:

Connect the WHITE wire (Neutral) from the outlet box to the WHITE wire marked 'AC in N' from the receiver. Connect the BLACK wire (Hot) from the outlet box to the BLACK wire marked 'AC in L' from the receiver. Secure all wire connections with the plastic wire nuts provided.(Fig.1)

Step 2. If your outlet box has a GROUND wire (Green or Bare Copper) connect this wire to the Hanger Ball and Hanger Bracket Ground wires. If your outlet box does not have a Ground Wire, then connect the Hanger Ball and Hanger Bracket Ground Wires together. Secure wire connection with plastic wire connector provided.(Fig.1)

Step 3. Motor to receiver wires electrical connections: Connect the 4P-4P for motor/2P-2P for light/Gray-gray for signal from motor to receiver.(Fig. 2)

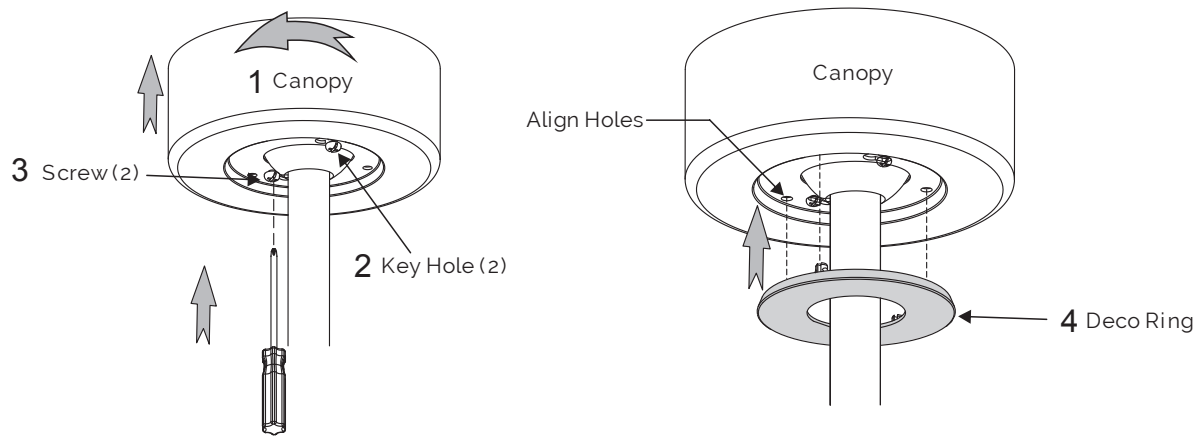
After all splices are made, check to make sure there are no loose strands. As an additional precaution we suggest to secure the plastic wire connectors to the wires with electrical tape.



### 3. CANOPY INSTALLATION

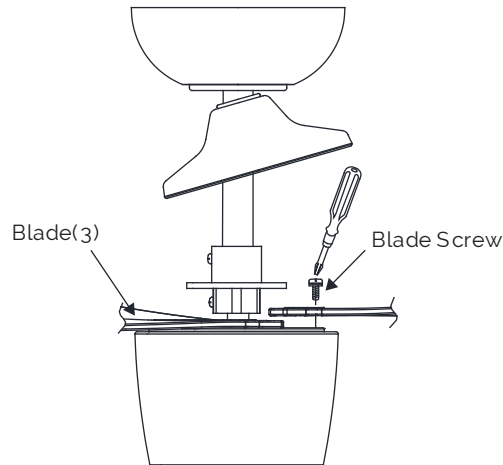
**Note:** Two screws are pre-screwed on Mounting Bracket for Canopy installation.

- 1 Push up canopy until two pre-screwed screws on Mounting Bracket are engaged with two key holes on Canopy.
- 2 Rotate Canopy slightly until two pre-screwed screws heads are engaged in the narrow end of key holes.
- 3 Tighten both screws.
- 4 Push Deco Ring up to Canopy, align holes on Canopy with ribs on Deco Ring, and push "snap-in".



## 4. BLADE INSTALLATION

Attach blades to motor by using & Blade screws provided in the hardware bag.  
(\* Repeat this step for every blade until the 3 blades are installed firmly. Do not tighten the screws too hard to prevent harming the plastic.)



## 5. LIGHT AND BOTTOM COVER

Install the light kit

1. Firmly snap the wire connection plugs together. (Fig.3)
2. Attach the light kit assembly to the light kit housing by turning clockwise until snug. (Fig.3)

Install the cap for non-light use

1. Raise the cap and secure it to the fan by turning the cover clockwise until snug. DO NOT OVERTIGHTEN (Fig.4)

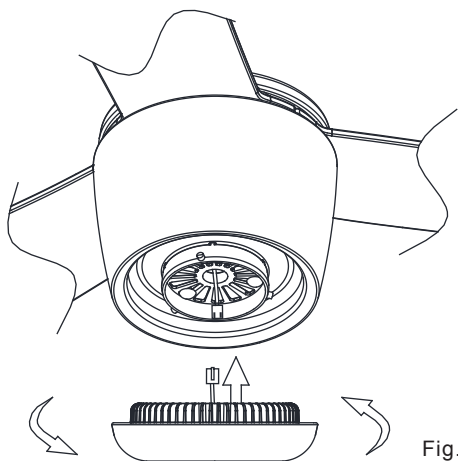


Fig.3

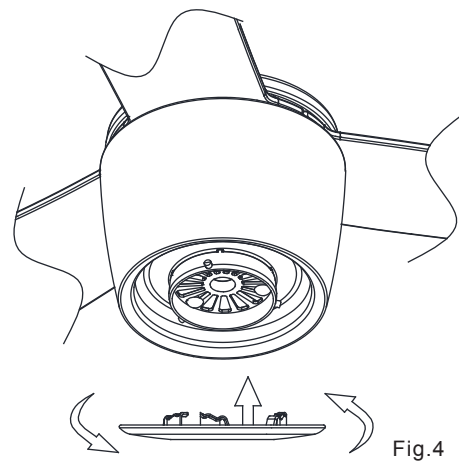
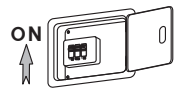
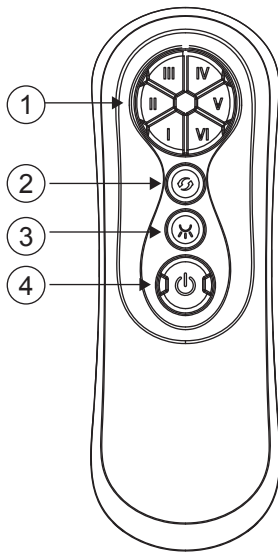


Fig.4

**5. Turn on power at breaker box, Your fan is ready for operation.**



## 4. Remote Control Operation



### 1. TURN ON THE FAN

Press any speed control button to turn on the fan and control the ceiling fan speed from low to high. Button (I) is for the lowest speed, and button (VI) is for the fastest speed.

### 2. REVERSE FUNCTION BUTTON

Press this button to activate the reverse running function. The fan should run in the forward direction for SUMMER setting and in reverse for WINTER setting.

### 3. LIGHT CONTROL BUTTON: (if the light kit installed)

Press to turn the light on and again to turn the light off.

By default the light will come on when power to the fan is turned on.

### 4. TURN OFF THE FAN

Press this centre button to turn the fan off.

Note: The auto learning function will only occur within 60 seconds of turning the fan's AC power ON.

1. Select desired frequency from the back of transmitter.

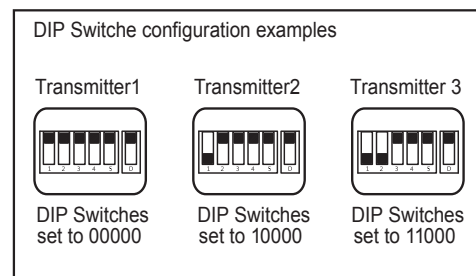
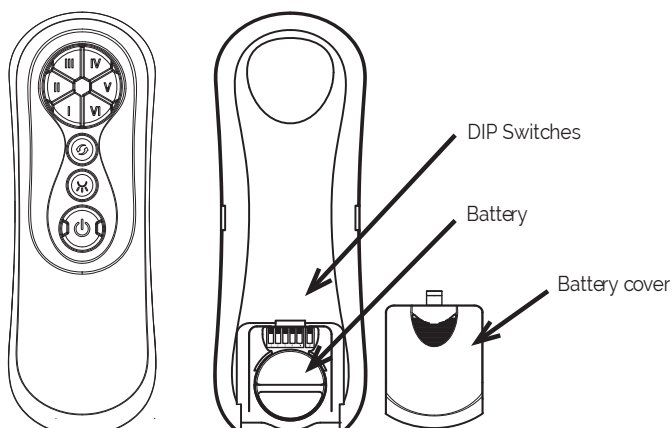
2. Press the transmitter's "off" button and hold the "off" button for over 10 seconds. Once the receiver has detected the frequency, the down light of your fan if applicable will blink twice. (There is no indication if your fan is not equipped with a light).

Note: The learning frequency function will continue to retain the last set frequency even when the AC power is shut off.

The DC motor has a built in safety feature against obstruction during operation, if the fan motor senses a obstruction for 60 seconds or more it will get locked and will not rotate until the obstruction has been removed and the power has been disconnected for 5 seconds.

3. Over 60W protection: When the receiver detects motor power consumption which is greater than 60W, the receiver's power will stop and operation will be immediately discontinued, if you want to re-start the fan, please remove obstacles and disconnect the power by turning off the circuit breaker. And turn the power on after 5 seconds.

4. "DIM" and "ON/OFF" dip switch: The "DIM" selection is the light dimmable selection and is to be used with all bulbs except for CFL bulbs. The "ON/OFF" selection is for CFL bulbs.





Note: The auto learning function will only occur within 60 seconds of turning the fan's AC power ON.

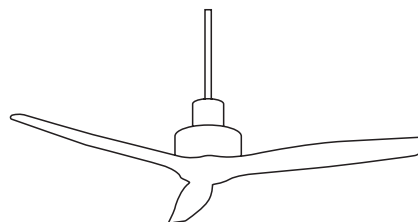
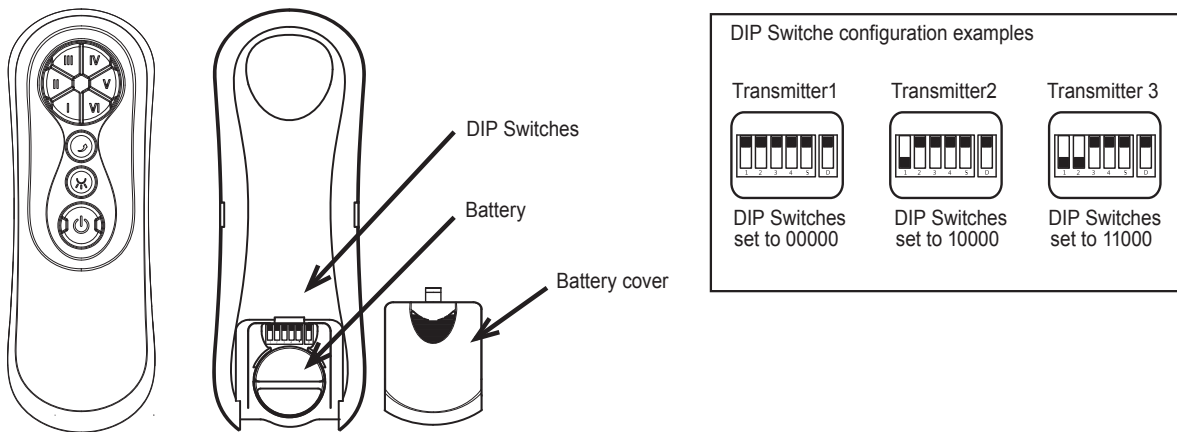
1. Select desired frequency from the back of transmitter.
2. Press the transmitter's "off" button and hold the "off" button for over 10 seconds. Once the receiver has detected the frequency, the down light of your fan if applicable will blink twice. (There is no indication if your fan is not equipped with a light).

Note: The learning frequency function will continue to retain the last set frequency even when the AC power is shut off.

The DC motor has a built in safety feature against obstruction during operation, if the fan motor senses a obstruction for 60 seconds or more it will get locked and will not rotate until the obstruction has been removed and the power has been disconnected for 5 seconds.

3. Over 60W protection: When the receiver detects motor power consumption which is greater than 60W, the receiver's power will stop and operation will be immediately discontinued, if you want to re-start the fan, please remove obstacles and disconnect the power by turning off the circuit breaker. And turn the power on after 5 seconds.

4. "DIM" and "ON/OFF" dip switch: The "DIM" selection is the light dimmable selection and is to be used with all bulbs except for CFL bulbs. The "ON/OFF" selection is for CFL bulbs.



**STAR FANS**

**info@starfans.co**

**www.starfans.co**