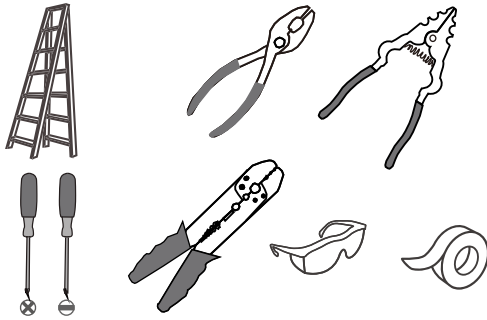
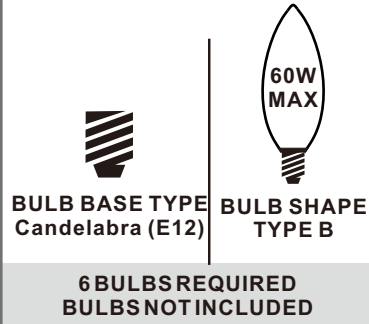


Tools Required



Light Source



**Fixture Height Adjustable
30.5" to 78.5"**

⚠ Warnings and Cautions

Turn off the electricity at the circuit breaker before installation. Consult a licensed electrician if in doubt about installation.

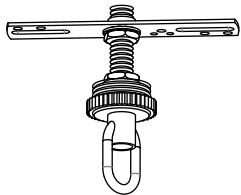
Turn off power to the fixture and allow the bulbs to cool before replacing.

Package Contents

Preparation: Identify and inspect all parts before beginning the installation.

Missing or damaged parts? Contact your original place of purchase.

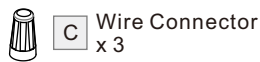
PARTS BAG



A Crossbar Assembly x 1



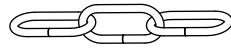
B Outlet Box Screw x 2



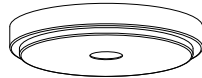
C Wire Connector x 3



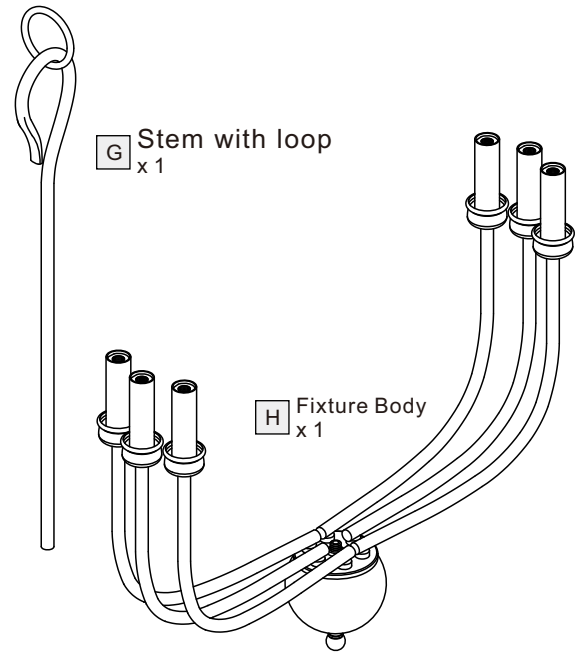
D Quick Link x 2



E Fixture Chain x 1



F Ceiling Canopy x 1



G Stem with loop x 1

H Fixture Body x 1

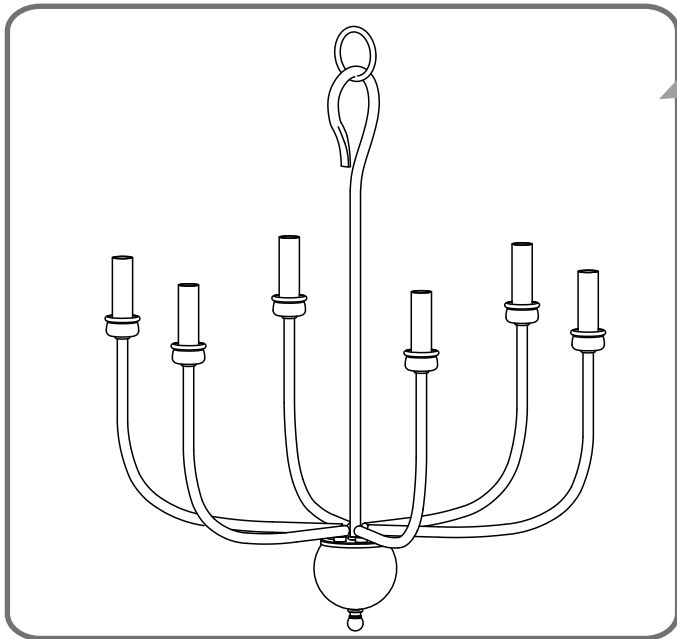
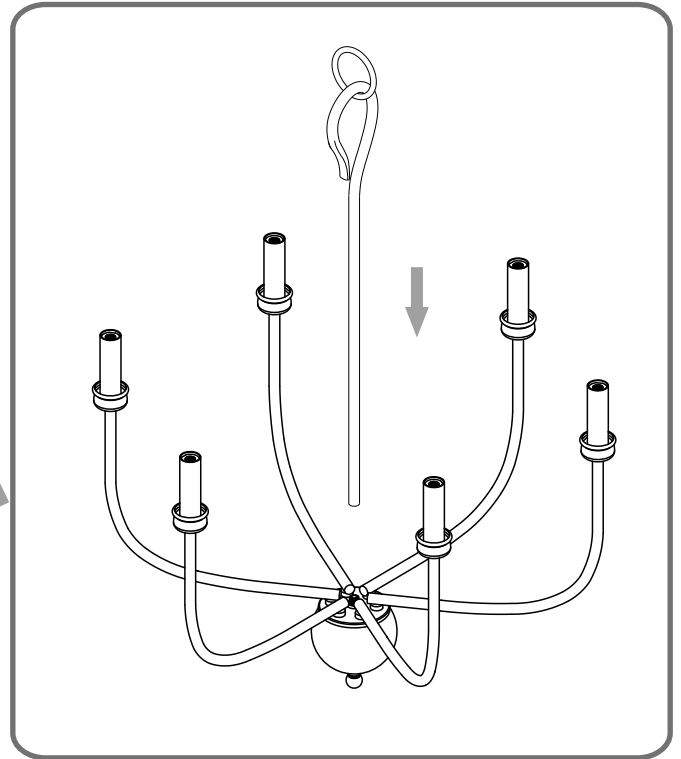
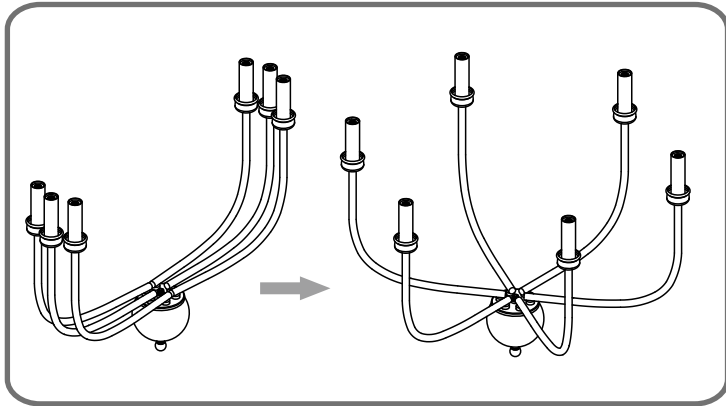
Table of Contents

Fixture Bdoy	Crossbar Assembly	Fixture Chain	Wiring	Ceiling Canopy	Bulb
STEP 1	STEP 2	STEP 3	STEP 4	STEP 5	STEP 6

STEP 1

1

2



STEP 2

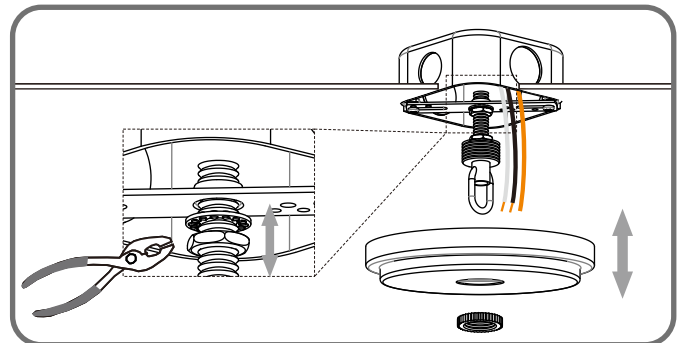
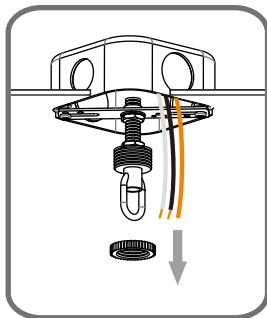
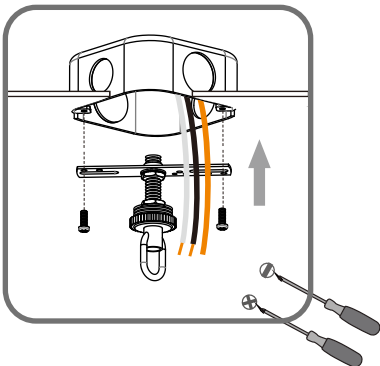
1

2

3

Step 1
Install crossbar assembly

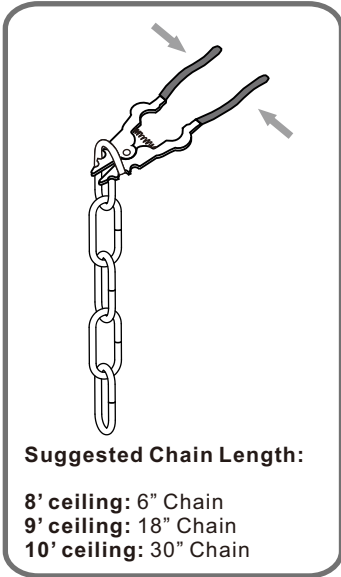
Step 2 - 3
Test fitting ceiling canopy to nipple



STEP 3

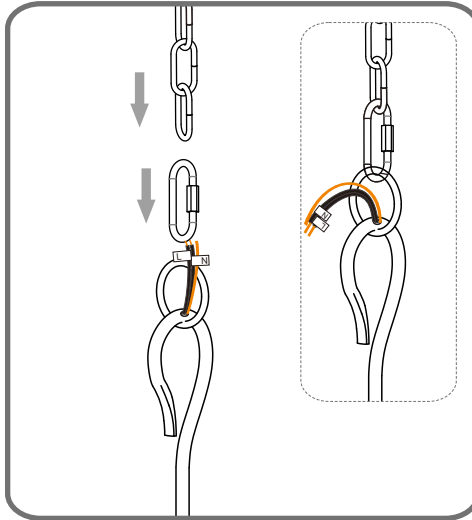
1

Step 1
Adjust fixture chain length

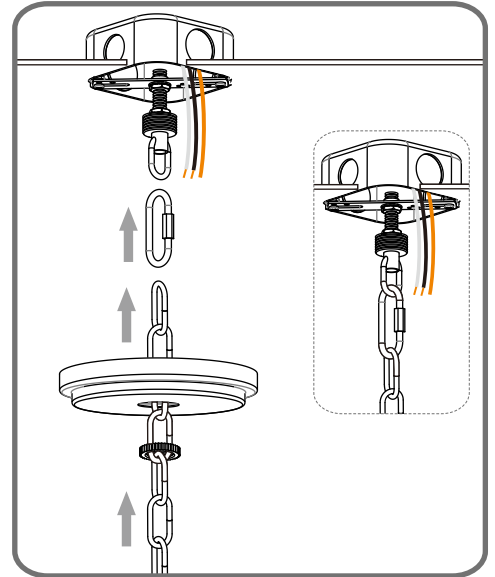


2

Step 2 - 3
Install Fixture Chain



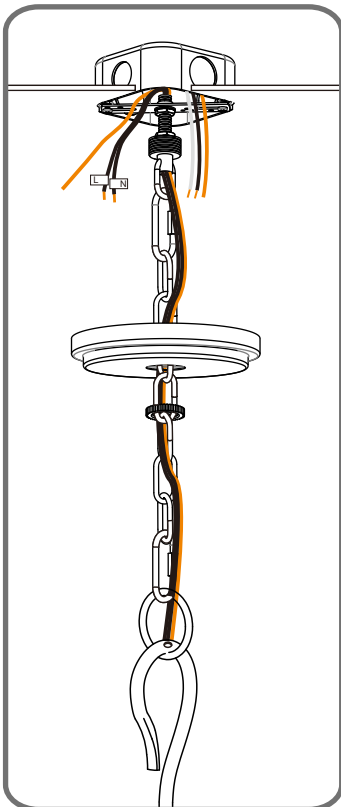
3



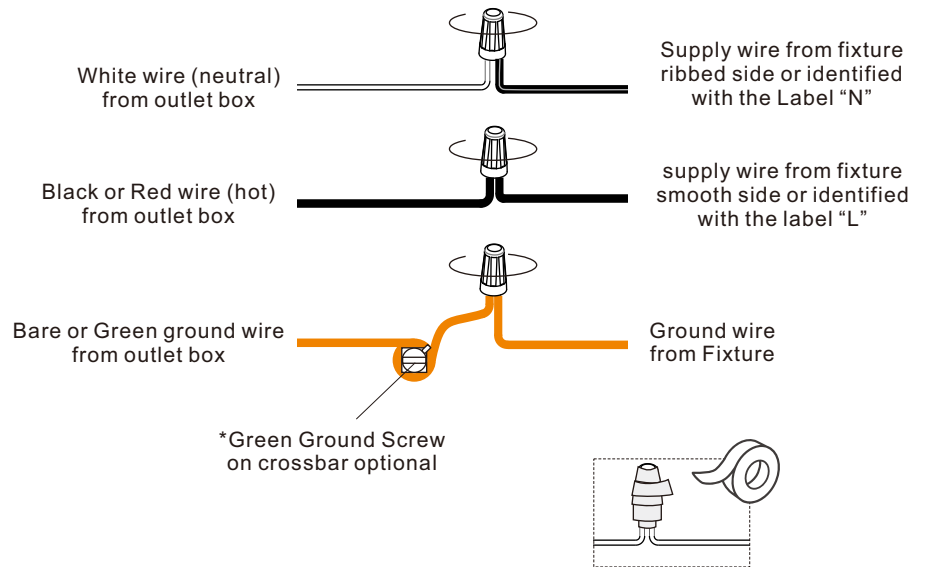
STEP 4

1

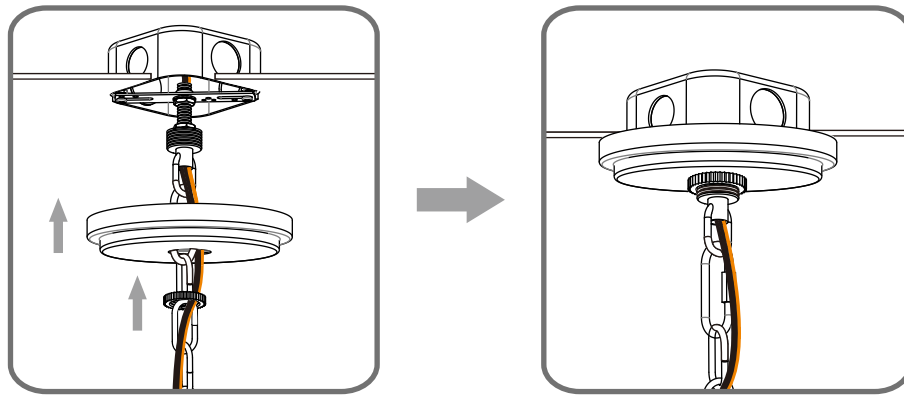
Step 1
Feed the fixture wires through the loop



2



STEP 5



STEP 6

