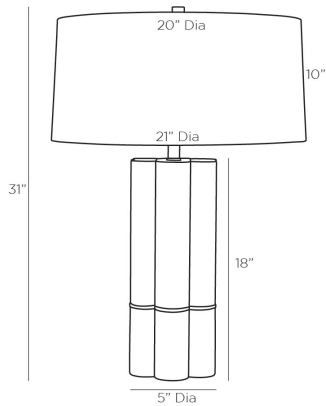


# ARTERIOS

## MADDIE LAMP



44777-620  
 H: 31 IN, Dia: 21.00 IN  
 Dove Leather  
 Contract Suitable As Is

The unique scalloped column shape of the Maddie finds inspiration in classic sculptural form. The dove leather construction is met with a thin antique brass band that accentuates and calls attention to its unconventional but refined form. Topped with an off-white microfiber drum shade with an off-white cotton lining and a matching leather cylinder finial. Finish will vary.

### APPEARANCE

Material	Off-White Brass, Cotton, Leather, Microfiber, Steel
Finish	Antique Brass, Dove, Off-White
Finish Will Vary	true
Top Coat/Sealant	true
Finial Description	Matching leather
Finial Dimension	2" x 1"

### DIMENSIONS

Shade	Top: 20.00 IN, Dia: 21.00 IN, Side: 10 IN
Body	H: 18 IN, Dia: 5.00 IN
Neck	H: 2 IN, Dia: 1.00 IN
Foot Print	Dia: 5.00 IN
Harp	8.5" Brass IN

### WIRING

Rating	3C,AE,AU,EU,SA,UK,UL Indoor Only
Tilt Test	10 Degrees - AU
Cord	10 FT, Back of Lamp Base, Clear/Silver, SPT-2
Socket	1, Black, Type A - E26
Switch	3-Way Rotary, At Socket
Maximum Watt	150
Voltage	110-120 V

### CERTIFICATIONS

Certifications	Mexico Australia, United Arab Emirates, United Kingdom, United States, Canada
----------------	--

### COMPLIANCY

UL/ETL	Yes
CB	Yes
RoHS	true

### SHIPPING

Product Weight	12 LBS
Gross Weight 1	15 LBS
Gross Weight 2	5 LBS
Shipping Box 1	H: 28 IN, L: 10 IN, W: 10 IN
Shipping Box 2	H: 12 IN, L: 23 IN, W: 23 IN
Shipping Box 3	H: 0

### ADDITIONAL INFO

Shade Shape	Round
Shade Trim	Rolled Edges
Shade Type	Hardback

### CONTRACT

Contract Suitable	true
-------------------	------