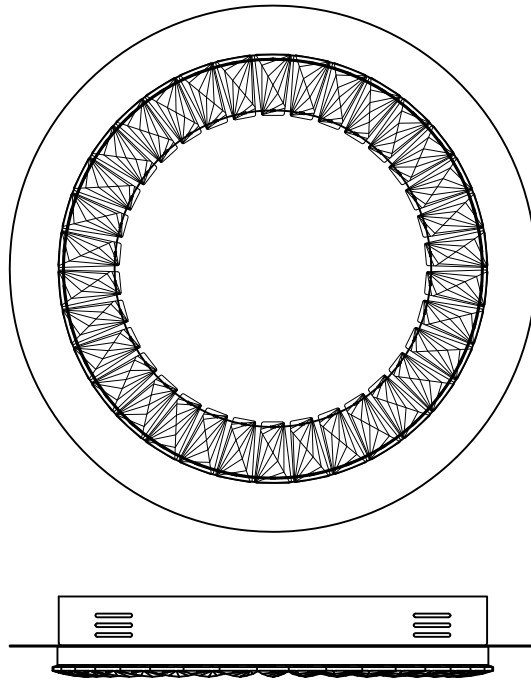




Contemporary  
Lighting™

PRODUCT NAME: Charm LED Flush Mount  
ITEM NUMBER: E30561-20PC

Please consult your electrician for hanging fixture and wiring.



The fixture is designed to dim with a standard Triac forward phase dimmer. Dimming levels will vary by dimmer.

Below is a list of recommended dimmers:

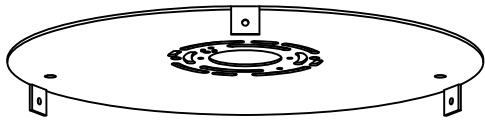
Lutron MACL-153M  
Lutron DVCL-153P  
Lutron SCL-153P  
Leviton IPL06-10Z  
Leviton 6674-POW

Due to inrush current wattage should not exceed 150 watts of product for a 600 watt dimmer.

Warning! Wires need to be connected to driver found in canopy and should not be connected directly to power source or a short may occur.

Bulb(integrated): LED 31W

IMPORTANT: Turn off the power at the main fuse or circuit breaker box before starting installation



(A)  
Mounting Bracket

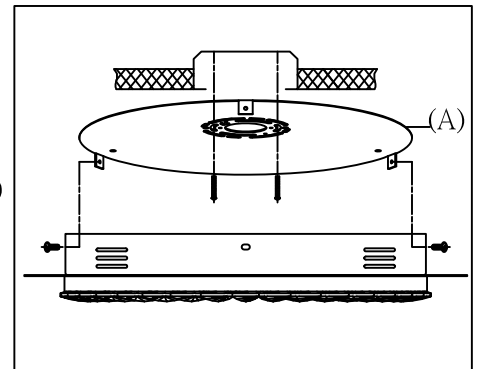
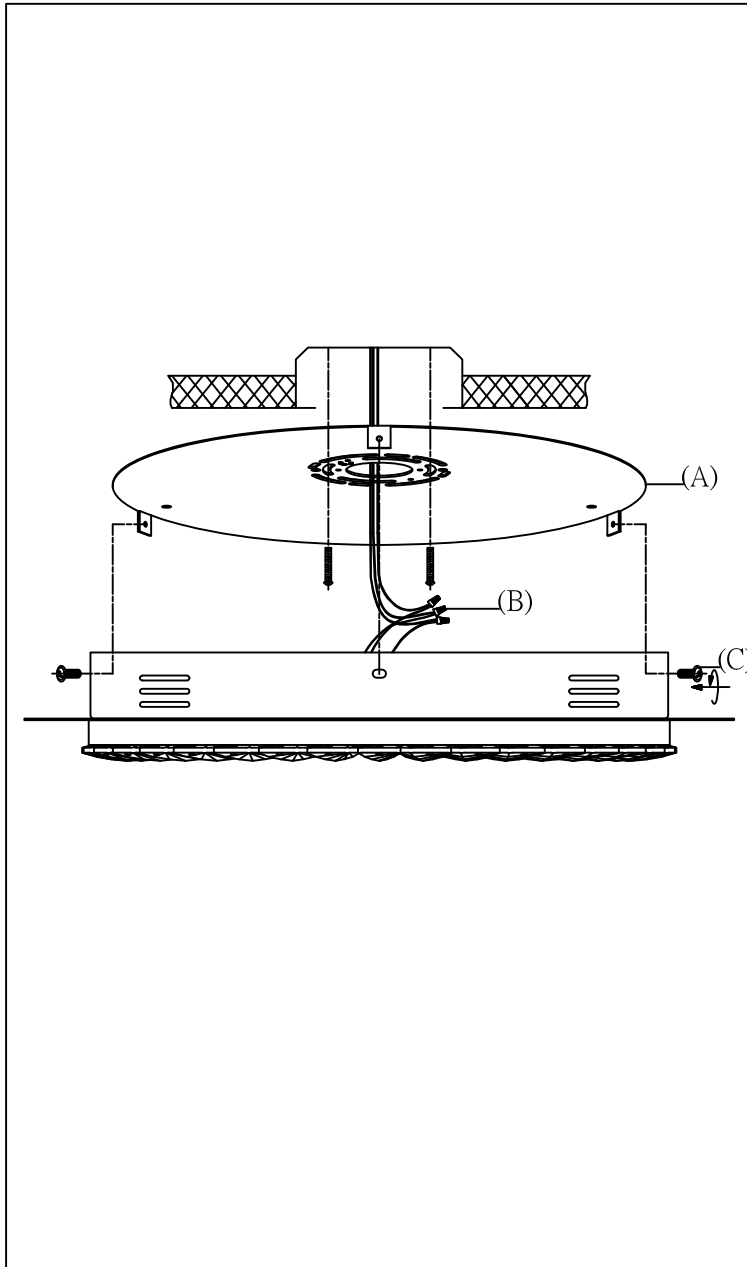


(B)  
Wire Nut



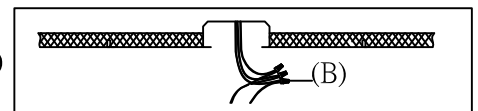
(C)  
Screw

Locate all hardware & components before discarding packaging



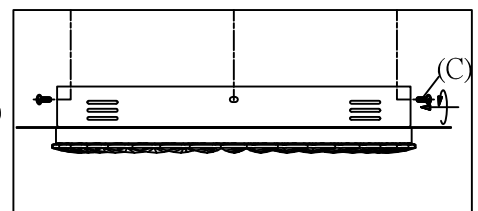
1.)

Step.1: Remove mounting bracket (A) from fixture and install to electrical box.



2.)

Step.2: Wire fixture to wires (B) in outlet box. Copper wire is for Ground.



3.)

Step.3: Install lamp body to back plate using two screws (C) on side to secure.

### Cleaning & Care:

Clean with soft cloth and a mild detergent.

Do not use abrasive cleaner.