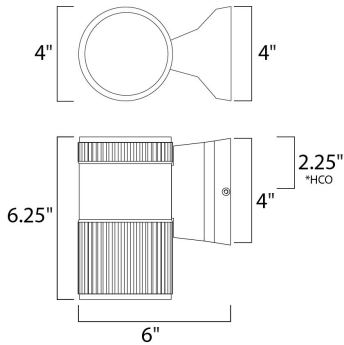




PRODUCT DESCRIPTION

Indirect exterior lighting not only provides illumination where you want but it also highlights the building structure for a beautiful architectural effect. Our collection of up and down lighting fixtures are available in both Architectural Bronze and Brushed Aluminum.



*height from center of outlet to the top of the fixture

MEASUREMENTS

- DIMENSION : 4" W x 6.25" H x 6" Ext
- BACK PLATE : 4" W x 4" H x 2.25" HCO
- HANGING WEIGHT : 2.43 lb

LAMPING

- INPUT VOLTAGE : 120V
- LUMENS : 700 Rated (530 Del.)
- BULB : 1 x 10W LED PCB Integrated , 10W Total
- BULB INCLUDED : (Integrated)
- DIMMABLE : Triac CL
- CRI : 80+ CRI
- COLOR_TEMP : 3000K

FINISHES OPTION

-  Brushed Aluminum

RATINGS

Wet Location
DARKSKY



ADDITIONAL

OPERATING TEMPERATURE:
-20°C (-4°F), 40°C (104°F)

PHOTOMETRIC: Report Found Online

Always consult a qualified electrician before installing any lighting product.



WESTERN DISTRIBUTION CENTER (HEADQUARTER)
253 NORTH VINELAND AVE | CITY OF INDUSTRY, CA 91746

EASTERN DISTRIBUTION CENTER
4200 SHIRLEY DR. | ATLANTA, GA 30336

P. 626.956.4200 | F. 626.956.4225 | maximlighting.com