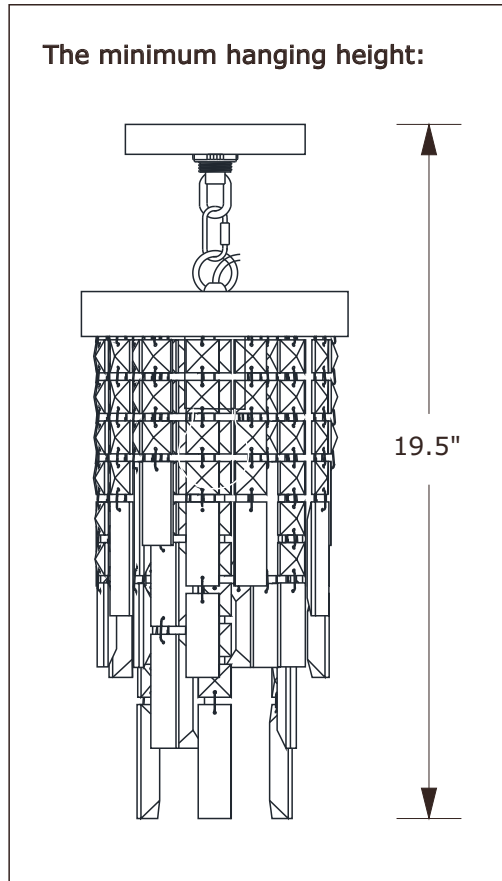
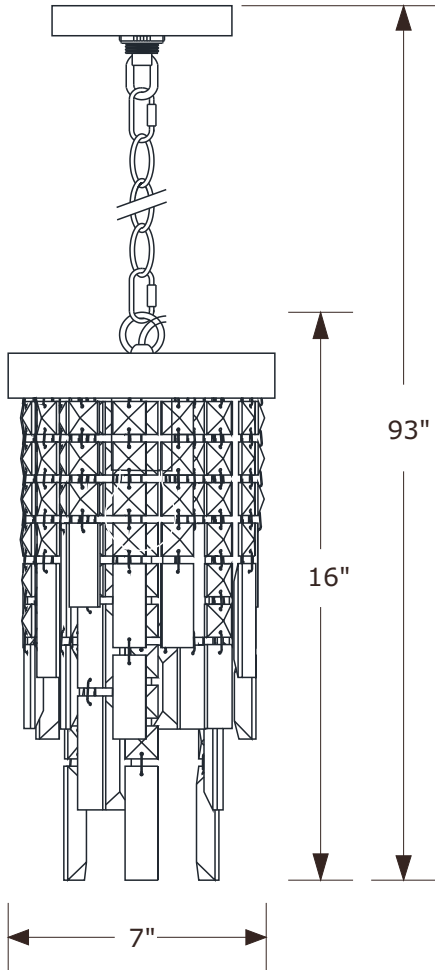


CRYSTORAMA

LIGHTING THE WAY FOR SIXTY YEARS



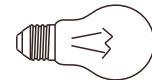
ASSEMBLY INSTRUCTION MODEL #WIN-210-GA-CL-MWP



WARNING:

Electrical Danger Turn Power Off

All electrical components must be installed by a licensed electrician in accordance with the National Electric Code and the appropriate local electrical codes.

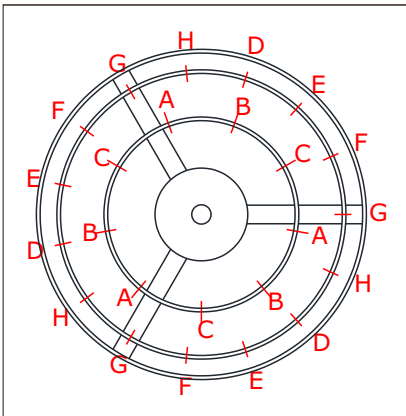


You will need 1 -Medium Bulb
60 Watts Recommended 100 Watts Max.
USE LED BULBS FOR EXTENDED USE
THIS FIXTURE IS DAMP RATED

How to Install

1. Do a complete inventory of all parts and components before you start installation.
2. Install the bulb(not included).
3. Dress the fixture with crystal as illustrated.

DETAILED ILLUSTRATION



SUGGESTED CRYSTAL PLACEMENT TOP VIEW
PLEASE REFERENCE CRYSTAL KEY

- A=
- B=
- C=
- D=
- E=
- F=
- G=
- H=

Crystal Key

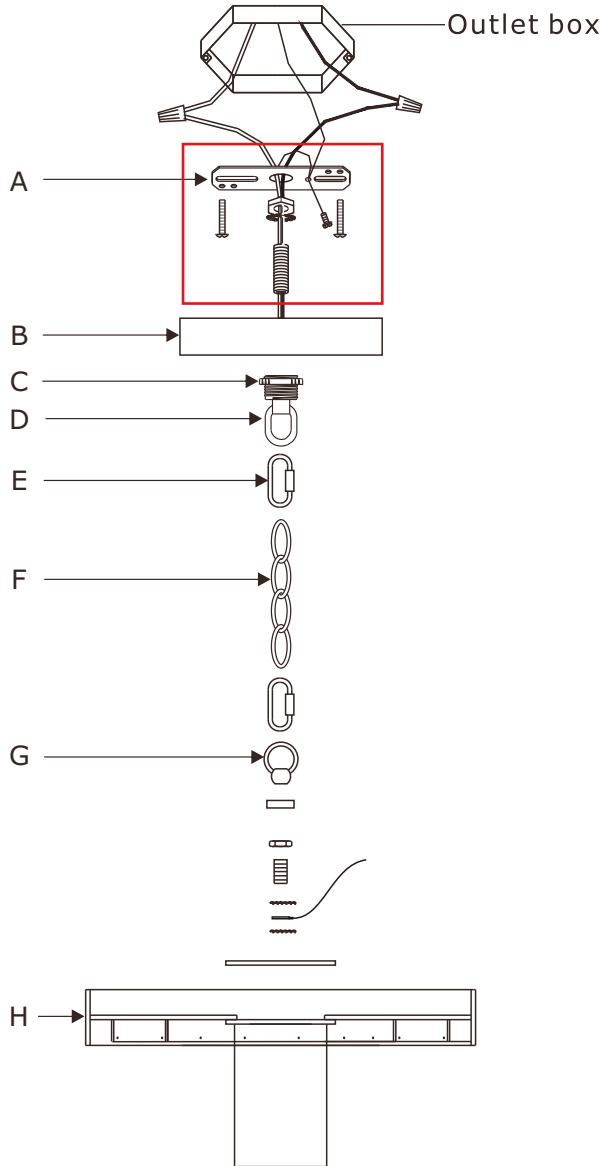
- A. 3 Sets.
(3)22X22mm+(1)22X76mm+(1)22X56mm
- B. 3 Sets.
(5)22X22mm+(1)22X56mm+(1)22X76mm
- C. 3 Sets.
(9)22X22mm+(1)22X76mm
- D. 3 Sets.
(4)22X22mm+(1)22X56mm
- E. 3 Sets.
(6)22X22mm+(1)22X56mm
- F. 3 Sets.
(4)22X22mm+(1)22X76mm
- G. 3 Sets.
(3)22X22mm+(1)22X56mm
- H. 3 Sets.
(4)22X22mm+(2)22X56mm

WARNING: This product can expose you to Lead, which is known to the State of California to cause cancer and/or birth defects or reproductive harm. For more information go to www.P65Warnings.ca.gov.



PART NUMBER MODEL #WIN-210-GA-CL-MWP

Part Number



- A. (1) - Mounting Hardware
- B. (1) - Canopy(W5", H0.79") #XRE210GACAN5IN
- C. (1) - Collar Ring
- D. (1) - Collar Loop
- E. (2) - Quick Link
- F. (1) - Hanging Chain(72", 3.2mm) #XRE210GACHA3.2MM
- G. (1) - Fixture Loop
- H. (1) - Metal Frame