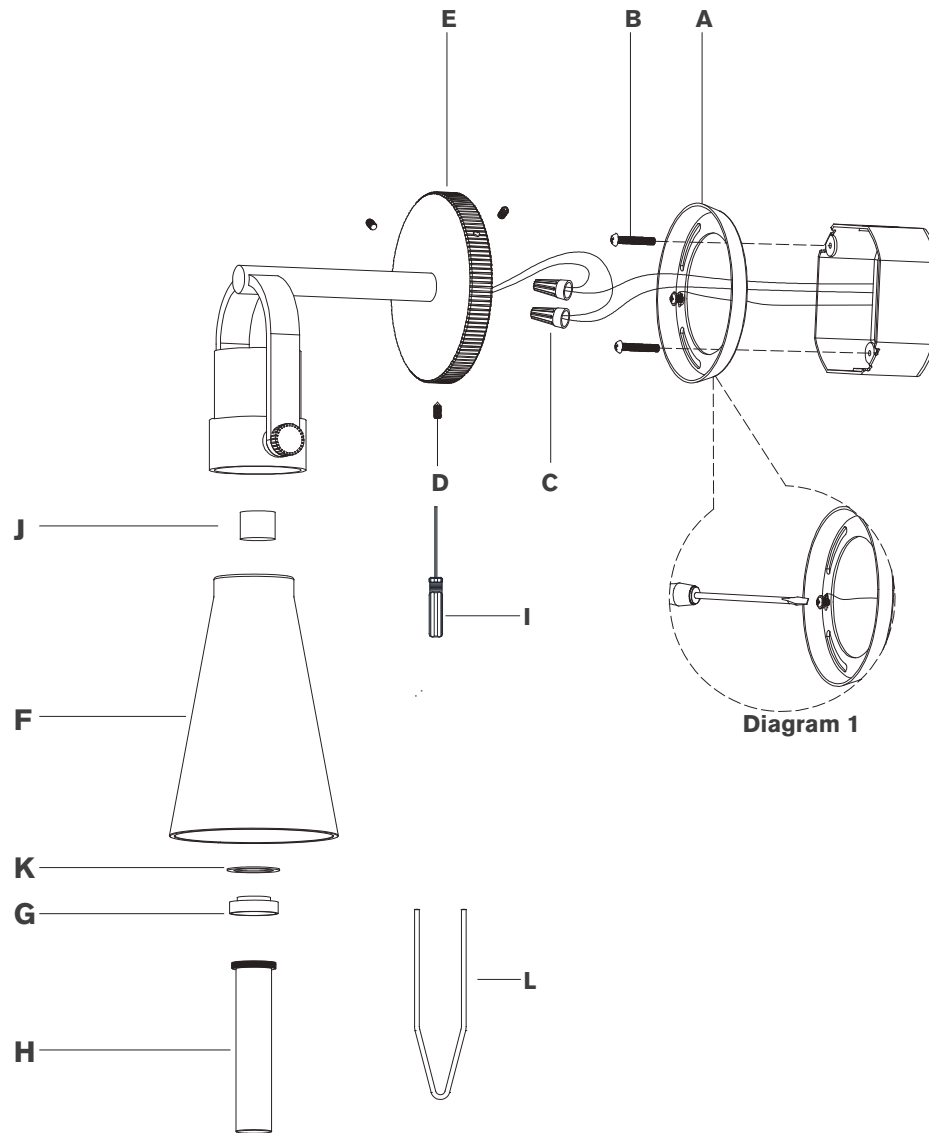


ASSEMBLY INSTRUCTIONS



Larkin Medium Conical Bracketed Sconce

Item # IKF2450

NOTICE:

This light fixture should be installed in accordance with all applicable, local installation codes, and by a person familiar with the construction and operation of it, as well as the hazards involved. Inspect item and contents carefully. If any damage or defect is found, do not install. Retain all packaging material until installation is complete and approved.

TOOLS REQUIRED (NOT INCLUDED):

Phillips Screwdriver

Slotted Screwdriver

1. Carefully remove all parts from the box. Place on a clean, soft surface.
2. Remove mounting plate (A) from fixture (E) by removing set screws (D) using provided wrench (I).
3. Install mounting plate (A) to the junction box and secure with mounting screws (B).
4. Wrap supply ground wire (usually green or bare copper) around the green grounding screw (see diagram 1). Tighten.
NOTE: It is imperative that the fixture is grounded.
5. Connect fixture neutral wire (white) to the supply neutral wire (usually white) using wire nut (C).
6. Connect fixture hot wire (black) to the supply hot wire (usually black) using wire nut (C).
CAUTION: Do not reverse the hot and neutral connections.
7. Make sure all wire connections are tight, then carefully tuck into the junction box.
8. Install fixture (E) to mounting plate (A) and secure with set screws (D) using provided wrench (I).
9. Remove protective cap (J) from light source, then install glass shade (F) and rubber washer (K) to bottom of fixture and secure with socket ring (G) using provided wrench (L).
10. Thread glass shade (H) to socket ring (G).

NOTE: Do not over-tighten otherwise shade could become damaged.

Care Instructions: Clean only with a soft dry cloth or feather duster. Do not use abrasive or chemical agents.

VISUAL COMFORT

