

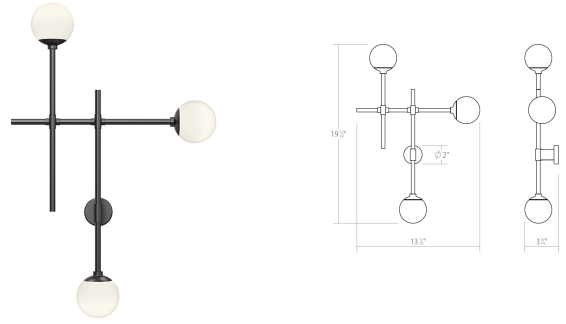
Project:

# Sabon Sconce Spec Sheet

SKU: 2063.25    Learn more at:  
<https://sonnemanlight.com/sabon-sconce>

Description: Crisply modern with a classic feel, Sabon Sconce brings solid functional design to this lighting task. The white etched cased globe radiates a dazzling illumination. Sabon's expression of simplicity shows that less is definitely more. Our [Sabon Optional Wall Plate Kit](#) can be ordered in conjunction with our Sabon Sconce. Also available as a [Pendant](#) and [Semi-Flush Mount](#).

Type #:



## Dimensions

Height:	19.5"
Width:	13.5"
Extends:	3.75"
Minimum Extension:	3.75
Maximum Extension:	3.75
Canopy/Backplate/Base:	1"
Size:	Triple
Canopy/Backplate/Base Depth:	0.5

## Electrical Specs

Bulb(s) Included?:	Yes
Bulb 1 Type:	Integral LED
Bulb Quantity:	3
Input Voltage:	120VAC
Wattage:	3
Initial Lumens:	990
Delivered Lumens:	540
Color Temperature:	3000K
CRI:	90
Power Supply Type:	Driver
Power Supply Quantity:	1
Power Supply Location:	Remote
Dimming Type:	TRIAC/ELV
Bulb Max Wattage:	3

## Installation

Installation:	Licensed electrician required
Installation Orientation:	Vertical

## Shipping

Carton 1 L x W x H:	21" X 15" X 8"
Carton 1 Gross Weight:	4 LBS

## Shade

Shade 1 Material:	White Cased Glass
-------------------	-------------------

## Available Finishes

Available Finishes: Satin Black (.25), Satin Nickel (.13)

## General Listings

Features:	ADA Compliant, Damp Rated
Certification:	cETL
Color/Finish:	Satin Black (.25)
Dark Sky Friendly:	N