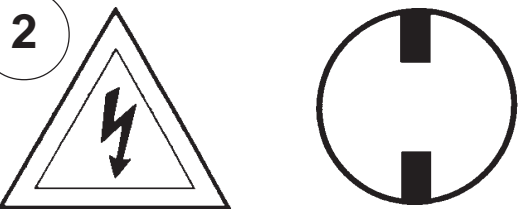


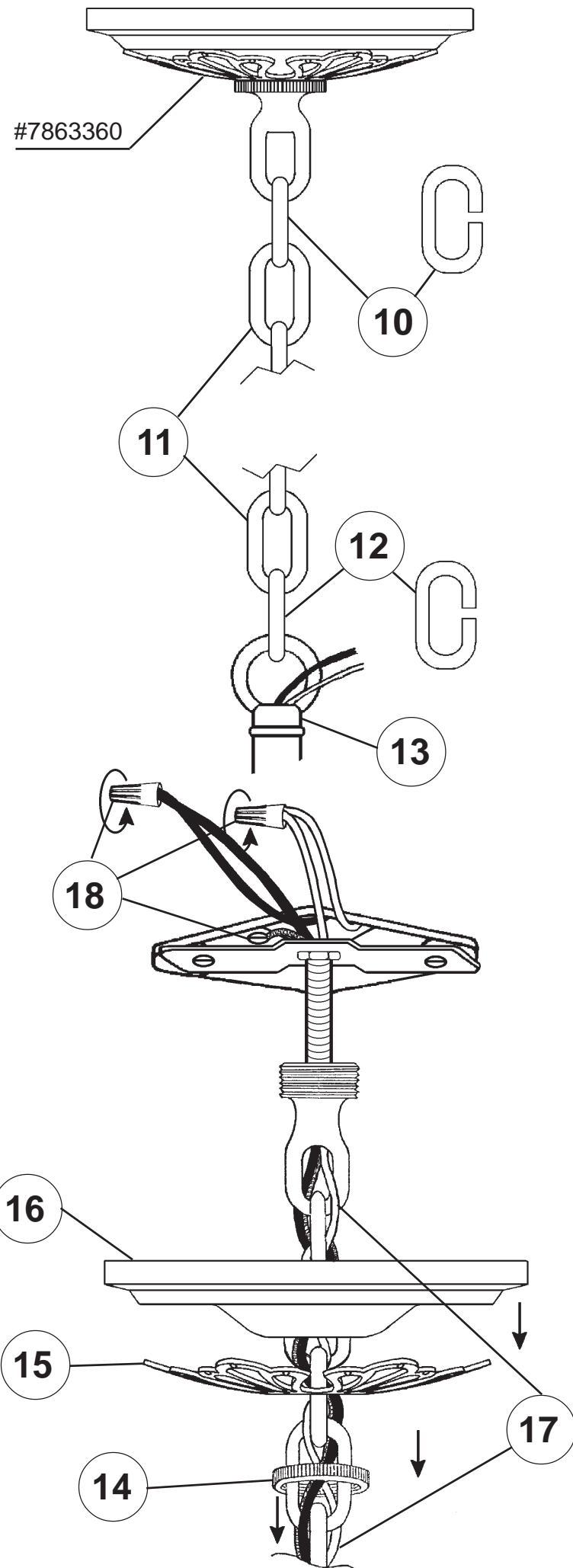
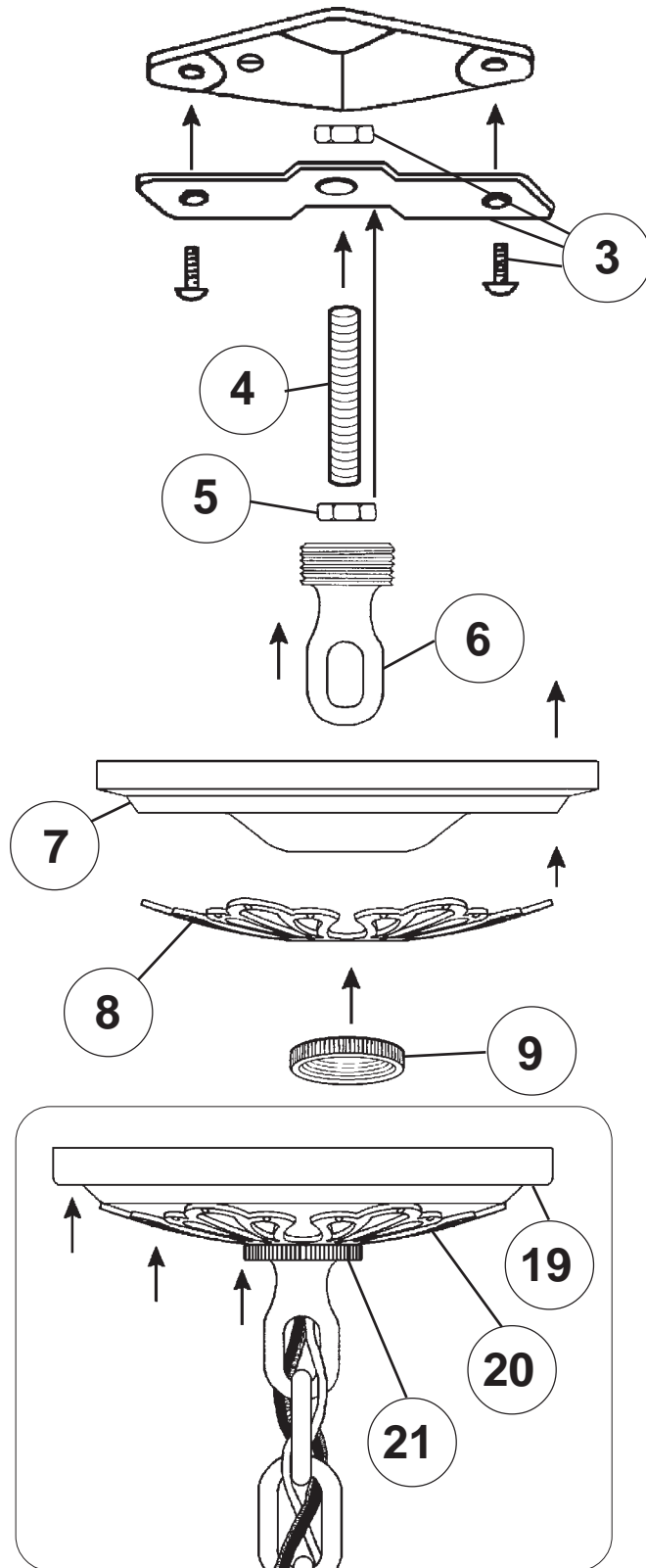
**Instructions for electrician**  
**STEPS 2 - 21**

**WARNING:**

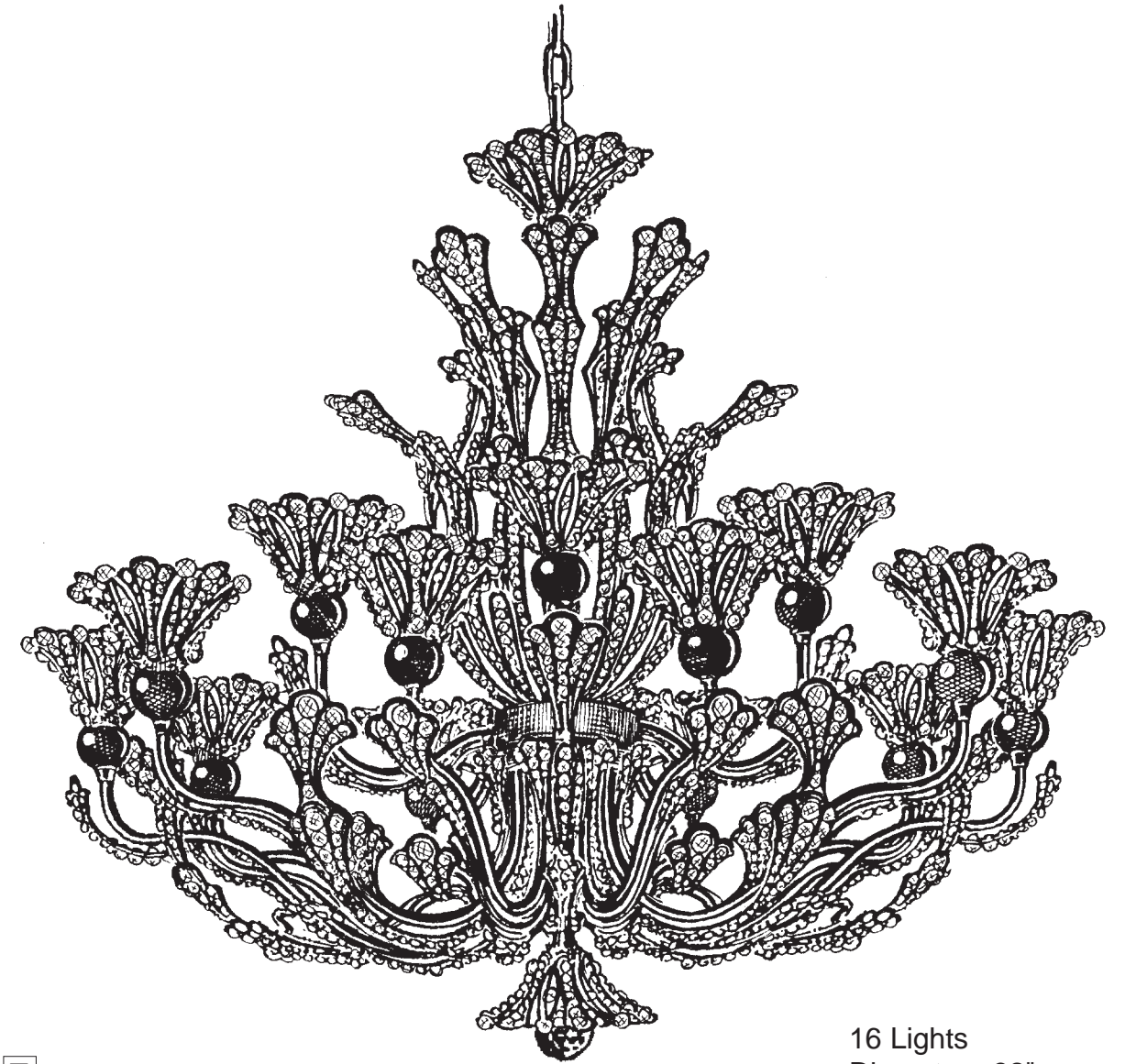


**Electrical Danger Turn Power Off**

All electrical components must be installed by a licensed electrician in accordance with the National Electric Code and the appropriate local electrical codes.



**CHANDELIER 7864- \_\_\_\_\_ S TRIM DIAGRAM**  
(Finish Option)



16 Lights  
Diameter: 32"  
Body Length: 27"  
Hanging Weight: 23 lbs.

**T**HIS DESIGN IS THE PROPRIETARY TRADE DRESS/TRADEMARK OF SCHONBEK WORLDWIDE LIGHTING INC.

**SCHONBEK®**

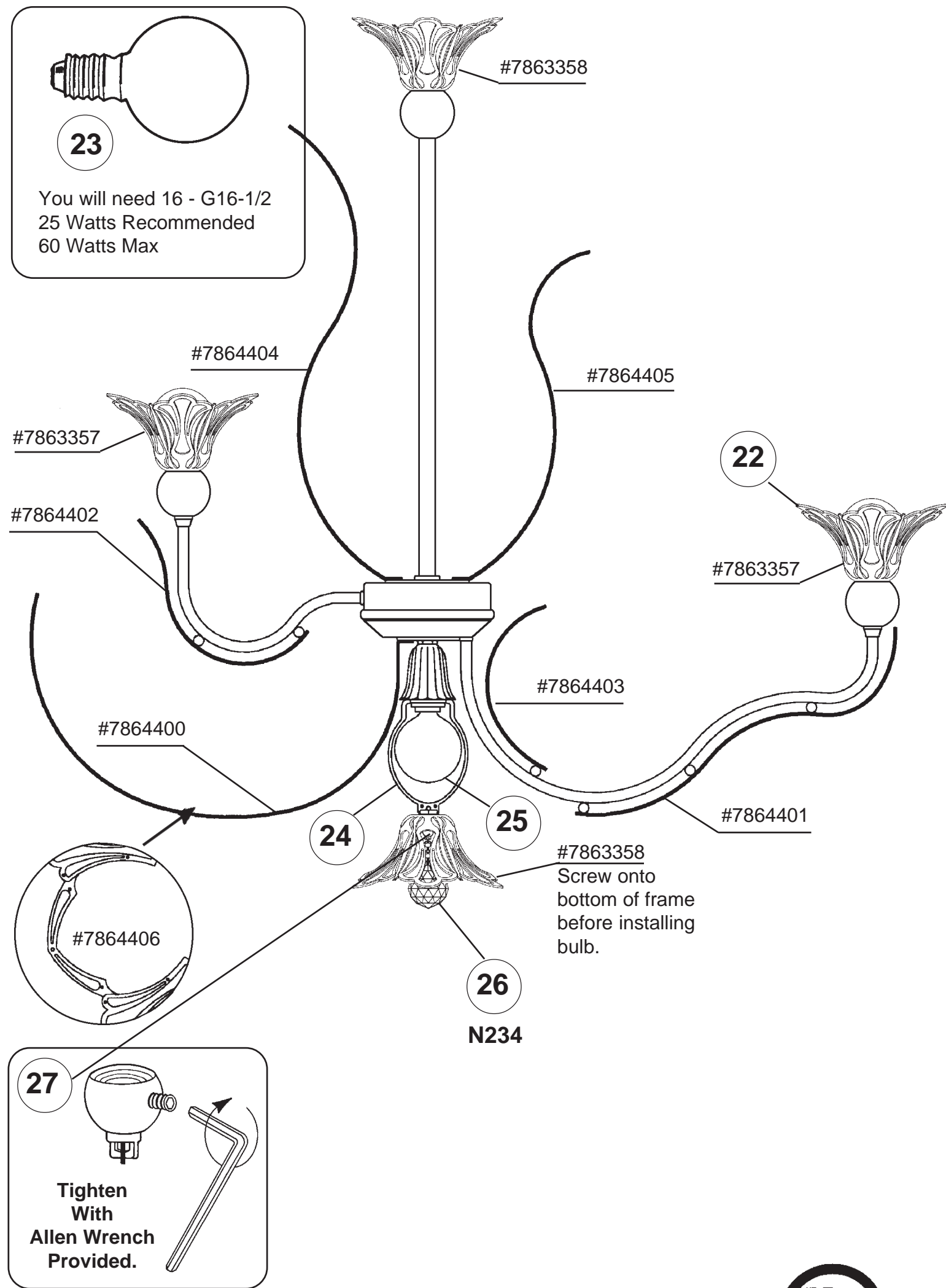
**See diagram on back page**  
**Follow steps in exact order**  
**Save this trim diagram for future reference**

**IMPORTANT**  
**1** *Person who opens carton should record the following information for future service.*  
CODE # \_\_\_\_\_ Four-digit number on outside of carton.  
PACKER # \_\_\_\_\_ See crystal package label.  
ORDER # \_\_\_\_\_ See crystal package label.

SCHONBEK IS A WORLD LEADER IN CHANDELIER DESIGN. PATENTS INCLUDE:  
#D5,460,269, #D397,494, #D397,495 & #D435,686

# Instructions for crystal trimming

## STEPS 22 - 27



## PART NUMBERS FOR SPARE PARTS

