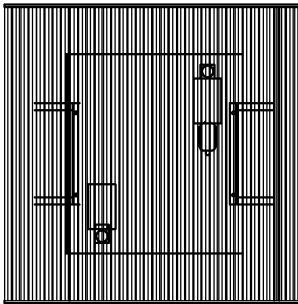


Trade Mark:  
CRYSTAL WORLD INC

Product Name: Wall lamp  
Model :5320W10C  
120Vac, 60Hz,AC ONLY  
Lamp Size:W10"\*H10"\*E5"



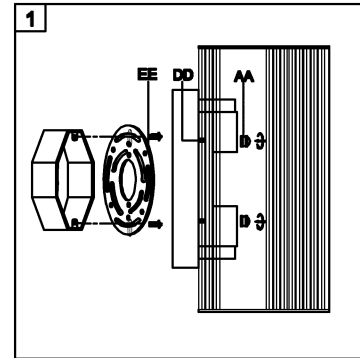
Intertek  
4006677

## WALL LAMP ASSEMBLY INSTRUCTIONS

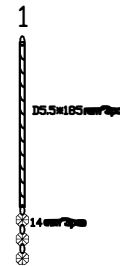
1. Place fixture(A) onto mounting screws (DD). secure with cap nuts (AA).

### Hardware Used

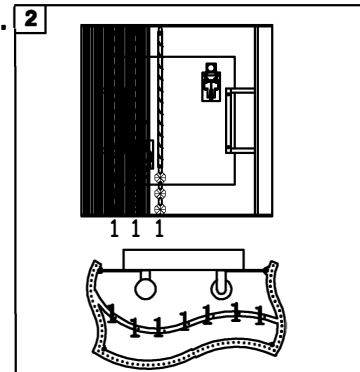
AA Cap nut  X 2



2. Please hang the crystal(1) to the fixture .



7PCS



3. Install light bulbs ( not included).

Use bulb  
120V G9  2\*40W Max.

