

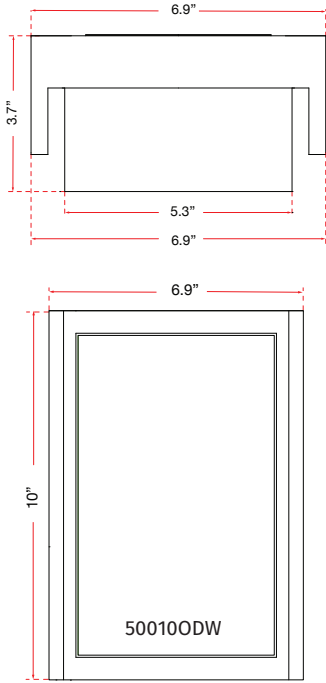


ABRA MODEL **500100DW-SL**

Wet Location Miter Glass LED Wall

FAMILY NAME **Titon**

UPC 00810035190702



FIXTURE MATERIAL				FIXTURE DIMENSIONS IN INCHES										
Frame Material	Finishes Available	Diffuser Type	Diffuser Finish	Diameter	Height	o.a.h	Width	Length	Ext	Weight	ADA	Location	Rating	Compliance
Steel	SL-Silica MB-Matt Black	Glass	Frosted		10	10	6.9		3.7	7	Compliant	Wall Mount only	Wet Location	cETLus
LAMPING										Compatible Dimmers		Junction Box Type		SUPPLIED
Lamp Type	Lamp qty	Wattage	Max Wattage	Base	Kelvin	CRI	Initial Lumen's	Delivered Lumen's	Voltage			Standard 4 x 4 Octagon Box		
LED	1	15w	15w	Solid State Module	3000k	90+	1275	893 estimated	120v					
SPECIAL NOTES														

Project Name				
Date		Type		