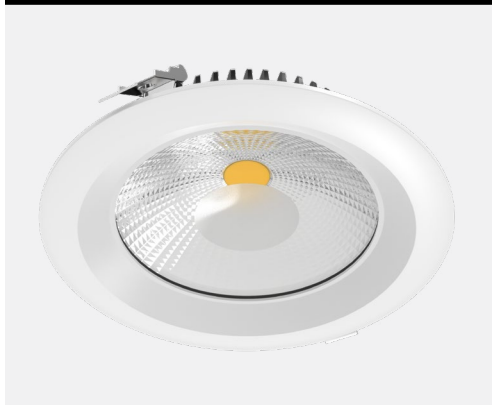
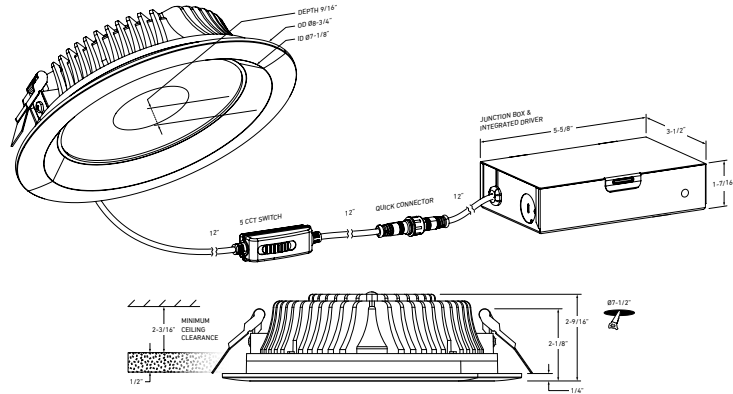


**MODEL NAME** **HPD8-CC**  
**HILUX**  
**8-Inch High-Powered Commercial Downlight**

This recessed downlight is a go-to for your commercial projects.



<b>PROJECT:</b>	<b>TYPE:</b>
<b>DATE:</b>	<b>QTY:</b>
<b>NOTES:</b>	

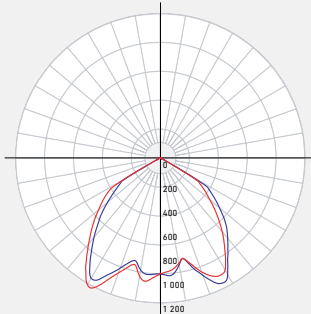


**QUICK SPECS**

SIZE	WATTS	DELIVERED LUMENS*	COLOR °T 5CCT	CRI	VOLTAGE	BEAM ANGLE	FINISH
8"	40W	2600lm	2700K 3000K 3500K 4000K 5000K	90	120V	120°	○ White

\*Lumen output measured at 3000K

**LIGHT DISTRIBUTION**



**CONSTRUCTION**

<b>Lens</b> Clear	<b>Type of optics</b> Reflector	<b>Type of LED</b> COB
<b>Lens material</b> Glass	<b>Housing material</b> Cast aluminum	<b>Cut hole size</b> 7-1/2"

**RATINGS**

<b>Placement</b> Indoor/Outdoor	<b>Lifespan</b> 50,000 hrs.	<b>FT rating</b> FT6
<b>Location</b> Wet	<b>Certifications</b> ETL, FCC, ICES, ES IC, ASTM E283-04, T24	<b>Operating temperature</b> -20° to 40° C

**WHAT'S IN THE BOX**

- LED recessed fixture
- Junction box
- Push-in wire connectors
- Mounting hardware
- Instruction sheet

**ACCESSORIES**

- [RFP-58](#)  
Drilling Plate

**ADAPTERS**

- [REC-EXT108](#)  
108" extension cord for recessed fixtures
- [REC-EXT230](#)  
230" extension cord for recessed fixtures



**ELECTRICAL  
DETAILS**

**Input voltage**  
100-135V

**Output current**  
450mA

**Power factor**  
99%

**Driver type**  
Constant current

**Output voltage**  
30-42V

**LED model #**  
COB

**THD harmonic  
distortion**  
<30%

**Binning type**  
3 SDCM

**FEATURES**

Every fixture includes a junction box with an integrated driver

Superior LED performance and lifespan

Switch-selectable CCT:  
2700K / 3000 K / 3500 K /  
4000 K / 5000 K

Can be daisy chained

Smooth 360° wide spread

**WARRANTY**

DALS offers a 5-year warranty from the date of purchase which covers repairs or replacement of defective parts of the housing, optics, and electronics. To contact DALS customer service call 1-877-430-1818 or send an e-mail to [info@dals.com](mailto:info@dals.com).

**RECOMMENDED DIMMER LIST\***

BRAND	MODEL #	DIMMER SPECS	GRADE	DIMMING RANGE (%)	MAX LOAD
Dals	SM-DIMSW Smart Dimmer	Triac, 250W LED/CFL	Compatible	Min: 6 / Max: 100	6
Lutron	DVCL-153PR-WH-C	Triac, 150 W Dimmable CFL/LED	Compatible	Min: 6 / Max: 100	3
Lutron	CTCL-153PDH-WH-C	Triac, 150 W Dimmable CFL/LED	Compatible	Min: 5 / Max: 100	3
Lutron	STCL-153PH-WH-C	Triac, 150 W Dimmable CFL/LED	Compatible	Min: 1 / Max: 100	3
Lutron	DVWCL-153PH-WHC	Triac, 150 W Dimmable CFL/LED	Compatible	Min: 6 / Max: 100	3
Lutron	MACL-153MRHW-WHC	Triac, 150 W Dimmable CFL/LED	Compatible	Min: 1 / Max: 100	3
Lutron	DVELV-300P-WH	300W electronic low voltage dimmer	Compatible	Min: 8 / Max: 94	7
Lutron	MA-PRO-WH	ELV, 250W LED/CFL	Compatible	Min: 2 / Max: 100	6
Lutron	Caseta PD-6WCL-WH-R-C	Triac, 300W Dimmable CFL/LED	Compatible	Min: 3 / Max: 100	7
Lutron	Caseta PD-5NE-WH-C	ELV, LED—up to 250 W	Compatible	Min: 3 / Max: 100	6
Lutron	Caseta PD-10NXD-WH	Triac, LED—up to 250 W	Compatible	Min: 1 / Max: 100	6
Leviton	6672-1LW	Triac, 150W Dimmable CFL/LED	Compatible	Min: 27 / Max: 100	3
Leviton	DSM10	Triac, 450W Dimmable CFL/LED	Compatible	Min: 22 / Max: 100	11
Leviton	6674	Triac, 150 W Dimmable CFL/LED	Compatible	Min: 8 / Max: 100	3
Leviton	IPL06-10Z	Triac, 150 W Dimmable CFL/LED	Compatible	Min: 14 / Max: 100	3
Leviton	DSL06-752	Triac, 150 W Dimmable CFL/LED	Compatible	Min: 13 / Max: 100	3
Leviton	D26HD-742-1RW	Triac, 300W LED/CFL	Compatible	Min: 10 / Max: 100	7
Legrand	RHCL453PNICCV4	Triac, 450W Dimmable CFL/LED	Compatible	Min: 9 / Max: 100	11
Legrand	ADTP703TUM4	Triac, 450W Dimmable CFL/LED	Compatible	Min: 11 / Max: 96	11
Legrand	ADPD453LM2	Triac, 450W Dimmable CFL/LED	Compatible	Min: 35 / Max: 100	11
Legrand	RHL373PW	Triac, 250W LED	Compatible	Min: 8 / Max: 100	6
Control 4	C4-APD120-WH	ELV, 120W LED	Compatible	Min: 0 / Max: 100	3
Control 4	C4-FPD120-WH	Triac, 200W LED	Compatible	Min: 0 / Max: 100	5

\* Minimal buzzing noise may occur with some dimmers