

Clybourn Semi-Flush Mount

7761603 | 1.0

GENERATION LIGHTING FLUSHMOUNT

GENERAL PRODUCT INFORMATION:

These fixtures are intended to be installed utilizing NEC compliant junction boxes.

This product is safety listed for damp locations.

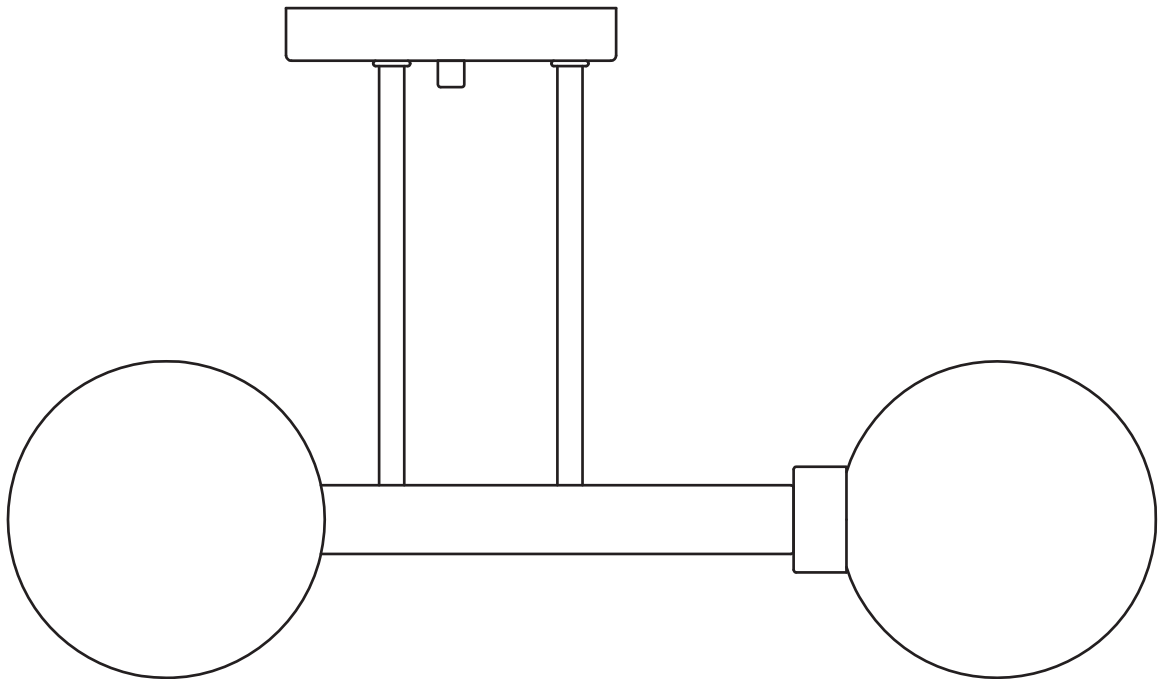
This instruction shows a typical installation.

CAUTION - RISK OF FIRE

This product must be installed in accordance with the applicable installation code by a person familiar with the construction and operation of the product and the hazards involved.

Use minimum 90°C supply conductors.

SAVE THESE INSTRUCTIONS!



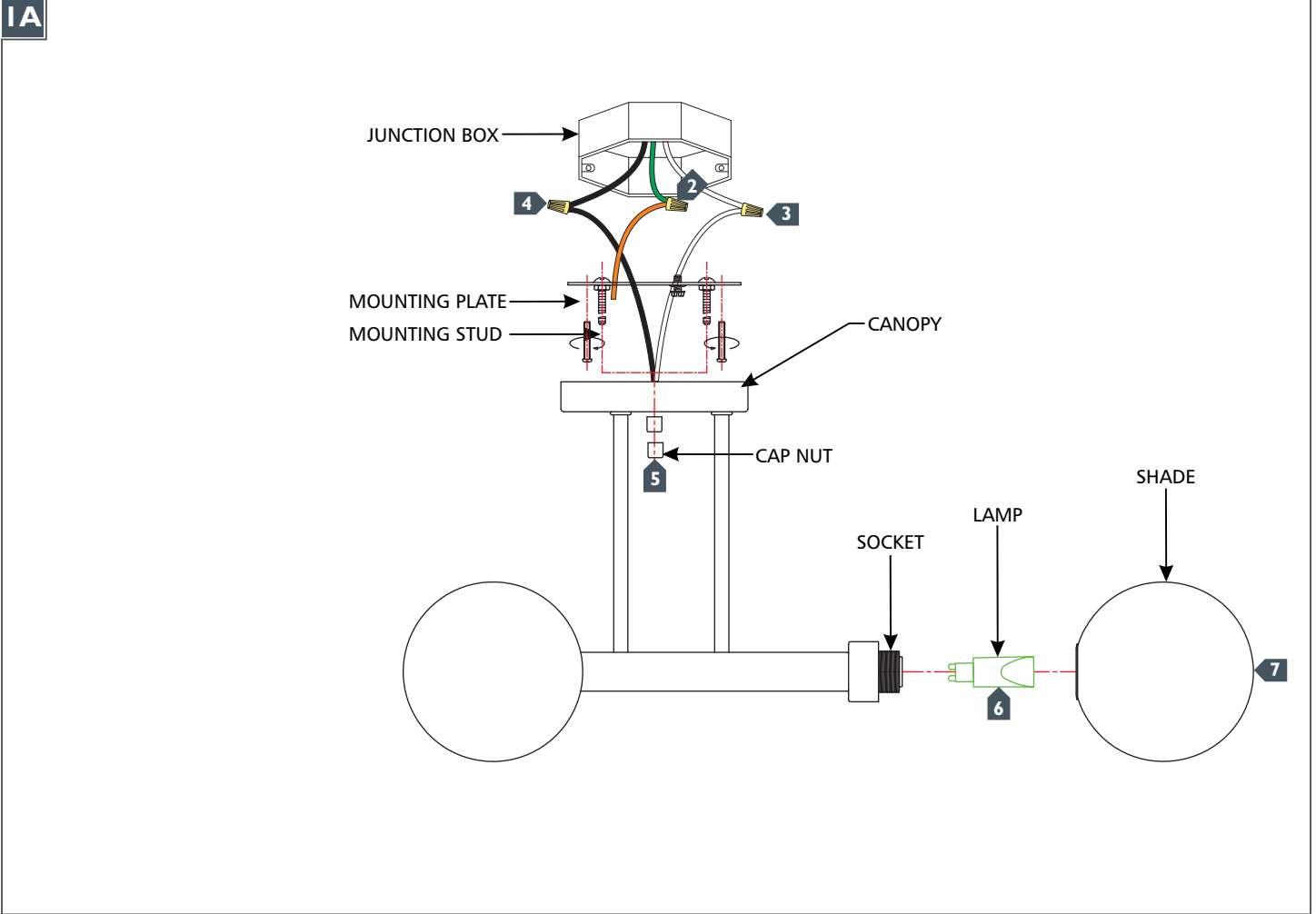
GENERATION LIGHTING

7400 Linder Ave., Skokie, IL 60077

T 847.410.4400 | F 847.410.4500

www.generationlighting.com

Install the Fixture



- 1** Secure the mounting plate to the junction box.
- 2** Connect the fixture to a suitable ground in accordance with local electrical codes.
- 3** Connect the white fixture wire (square and/or rigid) to the neutral power line wire with a wire nut.
- 4** Connect the black fixture wire (round and/or smooth) to the hot power line wire with a wire nut.
- 5** Neatly place all the wires into the junction box, place the canopy onto the mounting studs, and secure it in place by screwing the cap nuts onto the studs.
- 6** Install the lamps by inserting them completely into the socket holes. Refer to the label on the socket for Max Wattage Information.
- 7** Screw the shade onto the socket threads. Repeat for remaining shades.