

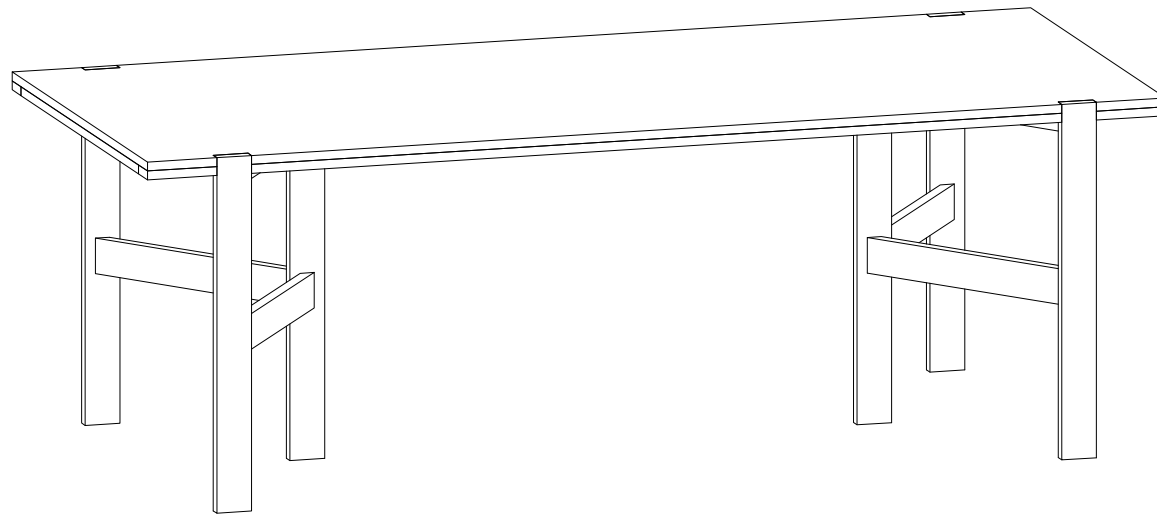
# MOE'S

h o m e c o l l e c t i o n


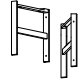
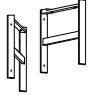
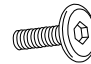


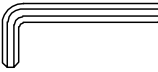



## **ASSEMBLY INSTRUCTIONS.**

WORKSHOP DINING TABLE VINTAGE BROWN

**JD-1084-03**



# PARTS AND HARDWARE

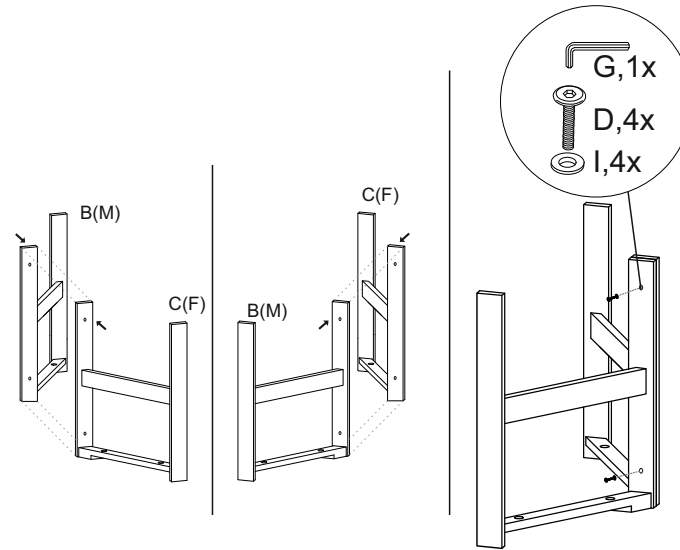
(A) Top, 1x 	(B) Leg Type M, 2x 
(C) Leg Type F, 2x 	(D) Flat head bolts, 4x (35x8mm) 
(E) Flat head bolts, 8x (60x8mm) 	(F) Washer, 8x (16x8mm) 
(G) Allen Key, 1x (5mm) 	(H) Sticker, 4x 
(I) Washer, 4x (25x8mm) 	(J) Leveler, 8x 

## NOTES.

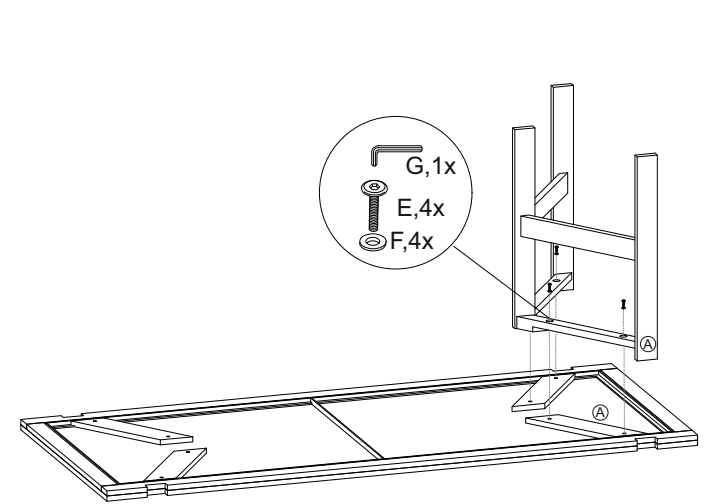
Thank you for purchasing this quality product! Be sure to check all packing material carefully for small part that may have come loose inside the carton shipping.

**CAUTION:** The item is heavy, assembly should be performed by four people.

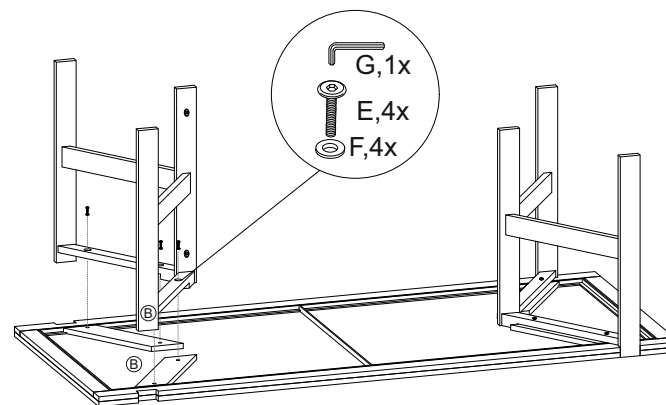
## STEP 1.



## STEP 2.



## STEP 3.



## STEP 4.

