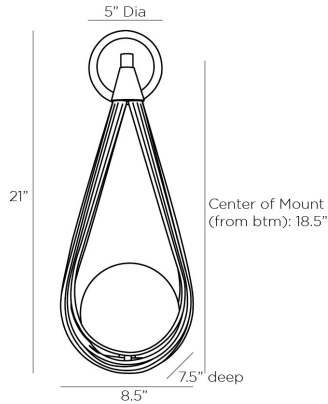


ARTERIOS

OVA SCONCE



49826
H: 21 IN, W: 8.5 IN, D: 7.5 IN
Antique Brass, Opal Glass
Contract Suitable As Is

The incredibly unique design of this sconce takes inspiration from a pearl, sling-shaped pendant necklace. The teardrop silhouette is crafted from antique brass iron that showcases an opal glass globe, which sits in the frame. A matching glass and antique brass iron backplate with an opal glass accent creates cohesiveness throughout. Consider multiples for a more dramatic lightscape. Damp-rated, although limited covered outdoor areas may affect finish.

APPEARANCE

Material Glass, Iron
Finish Antique Brass, Opal
Top Coat/Sealant true

DIMENSIONS

Center Of Mount From Btm 18.5 IN
Backplate Dia: 5.00 IN, D: 1 IN
Mount Dia: 4.50 IN

WIRING

Rating Damp
Suggested Bulb Type T6
Cord 1 FT, Black/White, SVT
Socket 1, Type B - E12
Photographed Bulb Small Clear Tubular Bulb
Maximum Watt 60
Voltage 110-120 V

CERTIFICATIONS

Certifications Mexico
Australia, European Union, United Arab Emirates, United States, Canada

COMPLIANCY

UL/ETL Yes
CB Yes
RoHS true

SHIPPING

Product Weight 6 LBS
Gross Weight 8.8 LBS
Shipping Box 1 H: 11.4 IN, L: 18.5 IN, W: 25.4 IN
Shipping Box 2 H: 0 IN, L: 0 IN, W: 0 IN
Shipping Box 3 H: 0

ADDITIONAL INFO

Hanging Orientation Vertical Only

REPLACEMENT PARTS

Replacement Part 1 49826GLS

CONTRACT

Contract Suitable true