

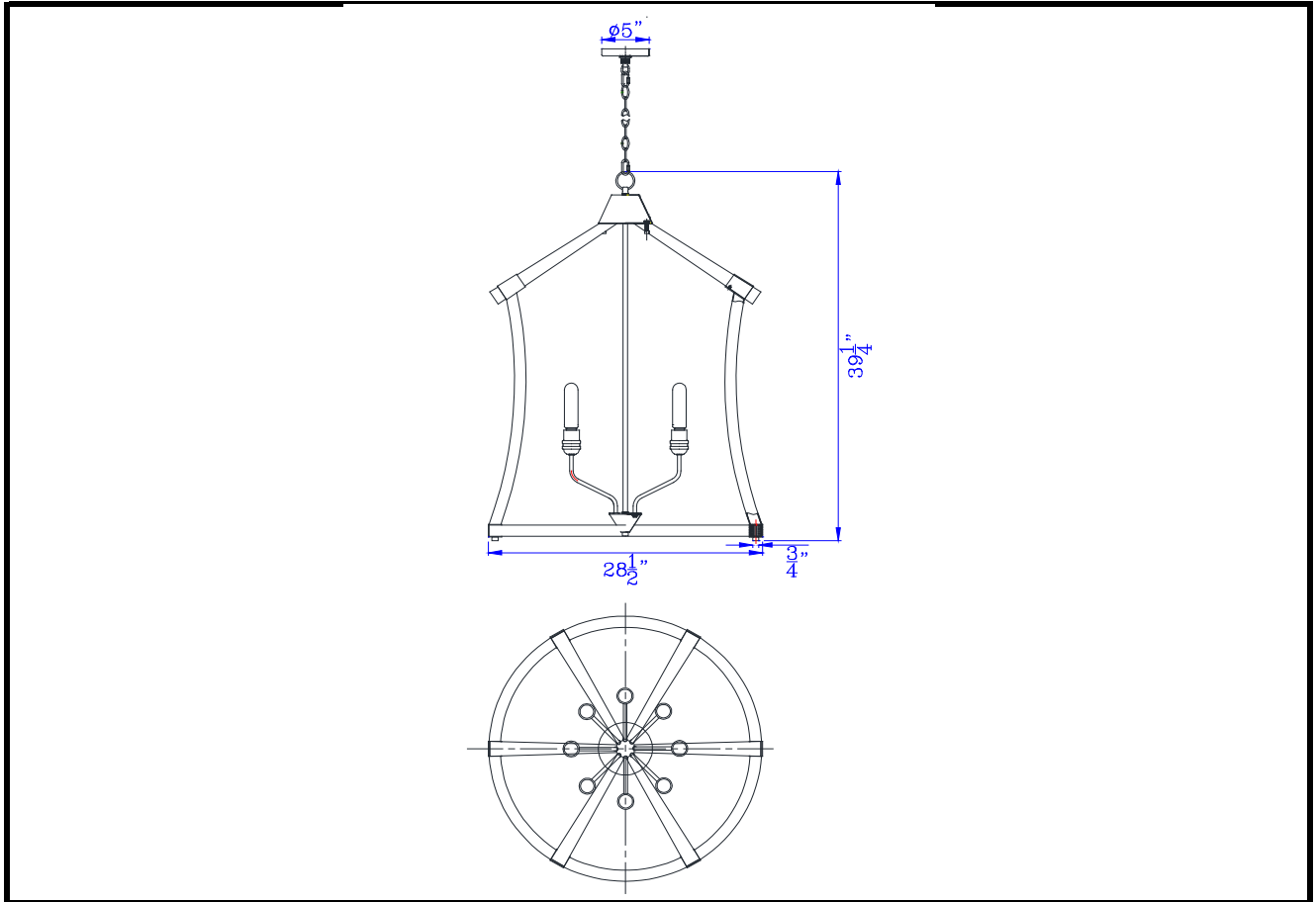


CAL LIGHTING

3625 E. Philadelphia St. Ontario CA. 91761 • Tel: 909.947.5200 • Fax:
909.947.5673 • www.calighting.com • service@calighting.com •
Specifications subject to change without notice

Type: _____
Project: _____
Catalog No.: _____
Lamp/Wattage: _____

Drawing:



Model No: FX-3707-8
Description: Dali 60W x 8 metal/wood chandelier (Edison bulbs not included)
Material: Wood/Metal
Finish : Iron/Light Oak
Height: 39 1/4"
Width: Dia.28 1/2"
Reach: Dia.28 1/2"
Wattage : 60Wx8
Socket : Medium Base (E26)
Bulb: Incandescent
Chain Length: 6'
Wire Length: 10"
Wire Color: Black
Shade No:
Material:
Shade size:
Certificate : 