

PRODUCT SPECIFICATIONS

OVERALL ASSEMBLED DIMENSIONS

HEIGHT: 560 MM (22"),
WIDTH: 410 MM (16"-1/8), DEPTH: 410 MM (16"-1/8).

- BIRD BATH:** PAINTED CONCRETE IN LIGHT GREY FINISH, 410 MM (16-1/8") DIA. x 89 MM (3-1/2") HEIGHT, SHAPED AS SHOWN. WEIGHT: 7.92 LBS.
WATER CAPACITY: 1 GALLON.

- BASE:** PAINTED CONCRETE IN LIGHT GREY FINISH, 190 MM (7-1/2") SQ. MAX. x 457 MM (18") HEIGHT, SHAPED AS SHOWN. WEIGHT: 9.02 LBS.

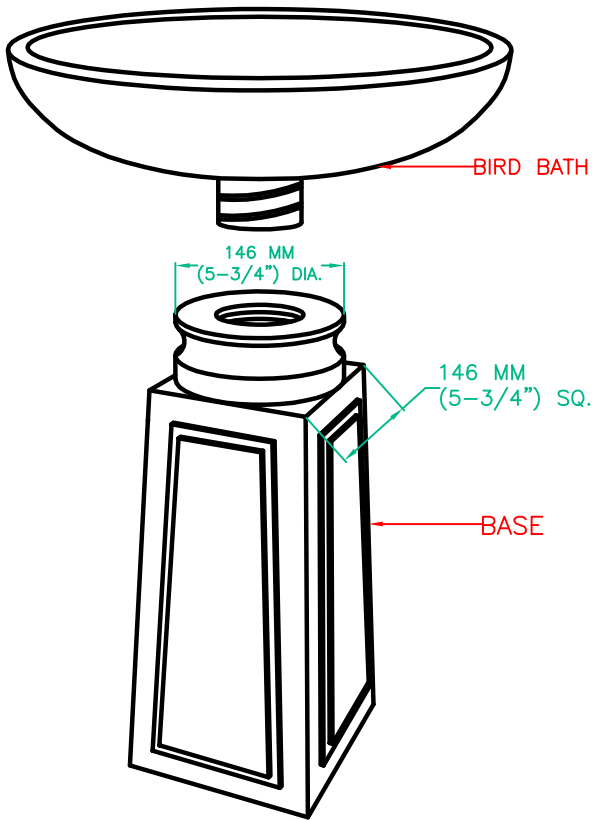
- TAGS:** MANUFACTURING DATE, MODEL # AND COUNTRY OF ORIGIN LABEL PROVIDED.

PACKAGING AND SHIPPING DETAILS:

- THE ITEM IS DISASSEMBLED FOR SHIPPING. EACH PART IS CAREFULLY WRAPPED IN A PLASTIC BAG AND PLACED SECURELY IN THE INNER PACKING SO IT CAN NOT MOVE AROUND DURING SHIPPING.
- THE CARTON IS MADE OF DOUBLE WALL, CORRUGATED CARDBOARD "G4F4G". (200 LBS), BROWN IN COLOR. THE INNER PACKING IS CASTING POLYFOAM TO PROTECT AND SECURE THE BIRD BATH, AND MUST PASS THE FEDEX AND ISTA-3A DROP TEST REQUIREMENTS.
- EACH CARTON SHALL BE PRINTED WITH A LINE DRAWING AND THE KENROY HOME NAME AND LOGO, MODEL NUMBER AND FINISH, EACH CARTON SHALL BE PROVIDED A UPC LABEL. THE UPC BAR CODE AS FOLLOWS: 053392984083.

OTHER DETAILS:

- MODEL 51050CON INSTRUCTIONS ARE TO BE PACKED WITH EACH ORNAMENT. INSTRUCTIONS MUST BE PRINTED CLEARLY ON QUALITY PAPER.
- ALL BAGS MUST BE LABELED WITH OFFICIAL "THIS BAG IS NOT A TOY" STATEMENT.
- DIMS OF BOX: 530 MM (20-7/8") LENGTH x 375 MM (14-3/4") WIDTH x 480 MM (18-7/8") HEIGHT. (CUFT.: 3.36')
- NET WEIGHT: 8.14 LBS.
- GROSS WEIGHT: 10.56 LBS.



| | | | | | |
|--|---|----------------|---|--|--------------------------------|
| KENROY HOME 3723 Regent Boulevard JACKSONVILLE, FL. 32224 PHONE: 904-642-4340 FAX: 904-642-4150 | THIS DOCUMENT AND THE INFORMATION THAT IT DISCLOSES IS THE EXCLUSIVE PROPERTY OF KENROY HOME. ANY REPRODUCTION OR USE OF THIS DRAWING IN PART OR IN WHOLE, WITHOUT THE EXPRESS CONSENT OF THE PROPRIETOR IS PROHIBITED. © 2018 KENROY HOME. | | | REVISION DATE: 6/27/2018 change instructions | MODEL #: 51050CON |
| | DATE: 1/3/2018 | SCALE: NONE | DRAWN BY: ARVIN | REVISION DATE: 9/25/2018 add cardboard weight | FINISHES: LIGHT GREY |
| | REFERENCE: PEDESTAL OUTDOOR BIRD BATH | APPROVAL: | REVISION DATE: 3/6/2019 change finish | PAGE: 1 OF 1 | |
| | | | REVISION DATE: 11/10/2021 change packing | | |