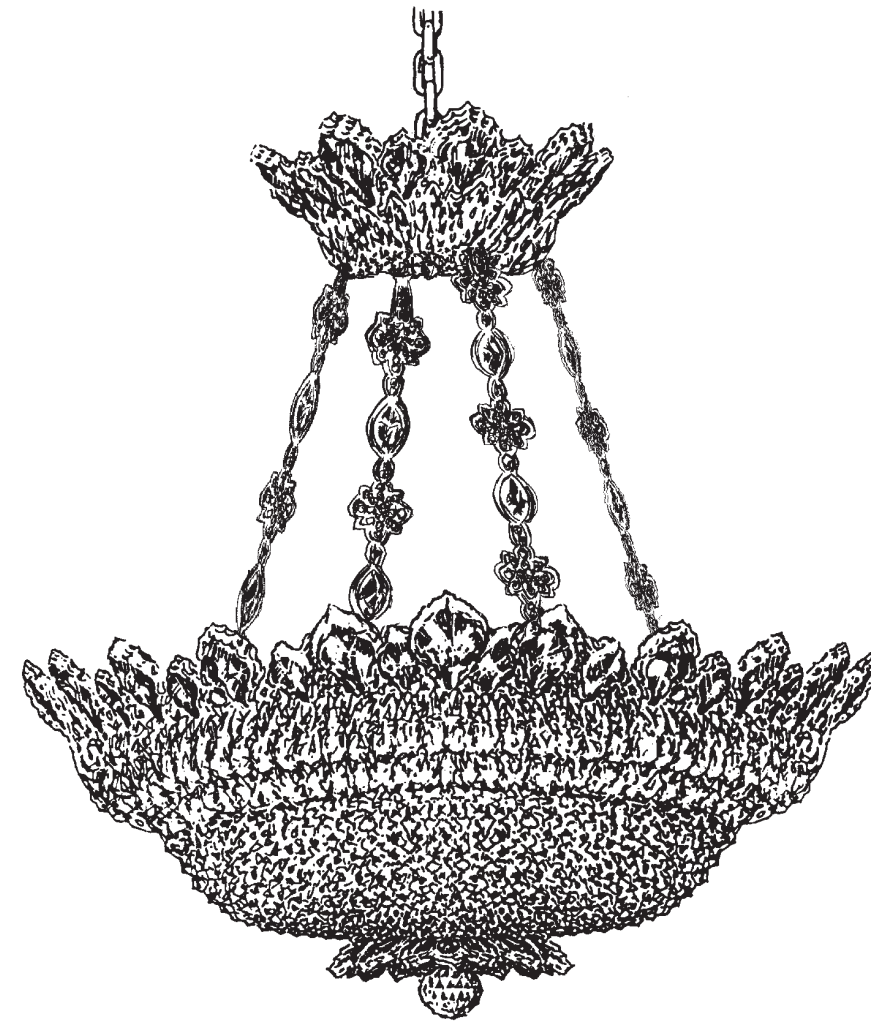




SCHONBEK®

TRILLIANE 5799- __ __ S



THIS DESIGN IS THE PROPRIETARY TRADE DRESS/TRADEMARK OF SWAROVSKILIGHTING, LTD.

12 Lights
Diameter: 24"
Body Length: 28"
Hanging Weight: 22-1/2 lbs.

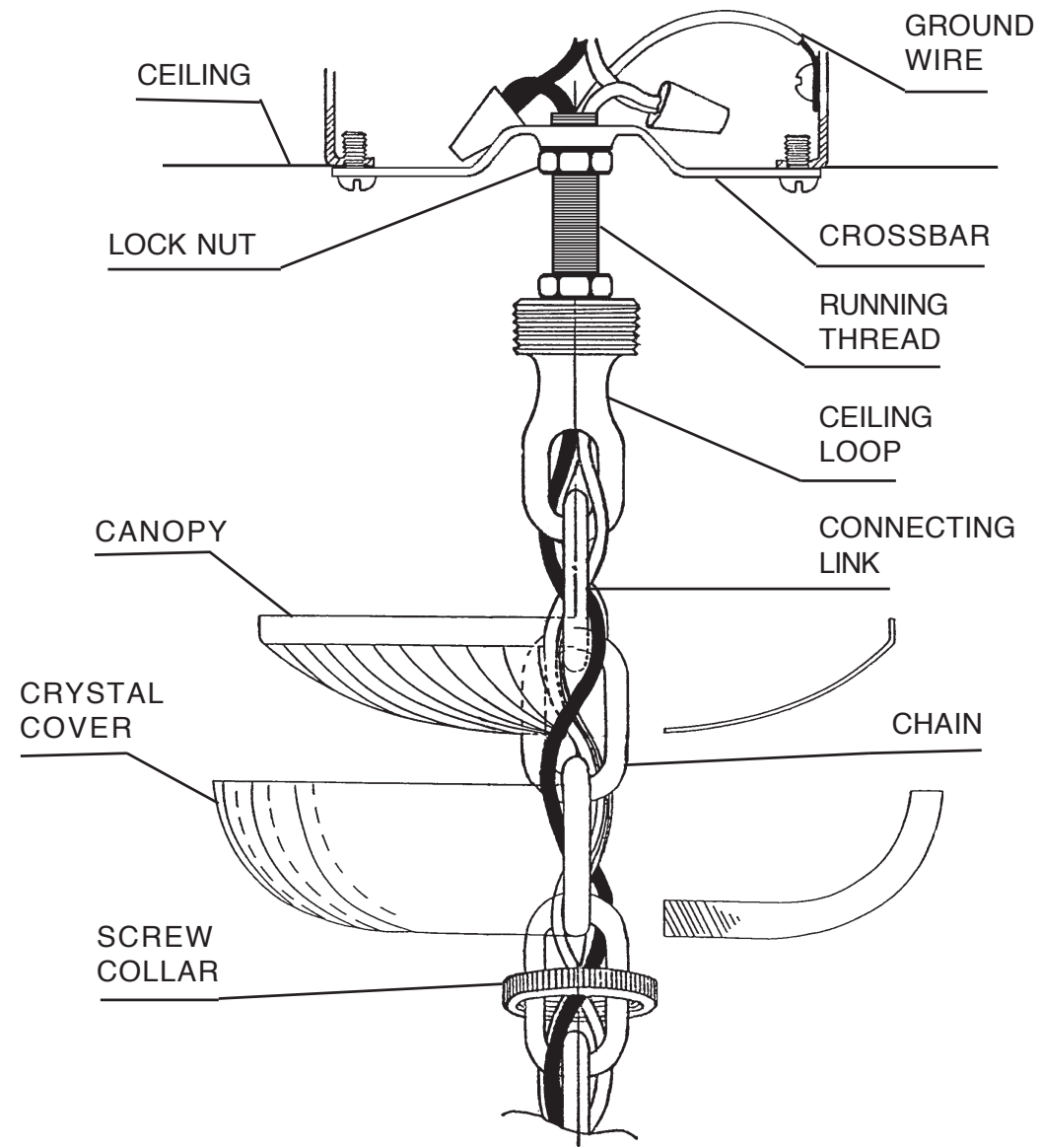


SCHONBEK®

MAX 60 W		110-120 V						

SCHONBEK® is a member of the Swarovski group.

All electrical components must be installed by a licensed electrician in accordance with the National Electric Code and the appropriate local electrical codes.



1 MAKE SURE POWER IS DISCONNECTED!!

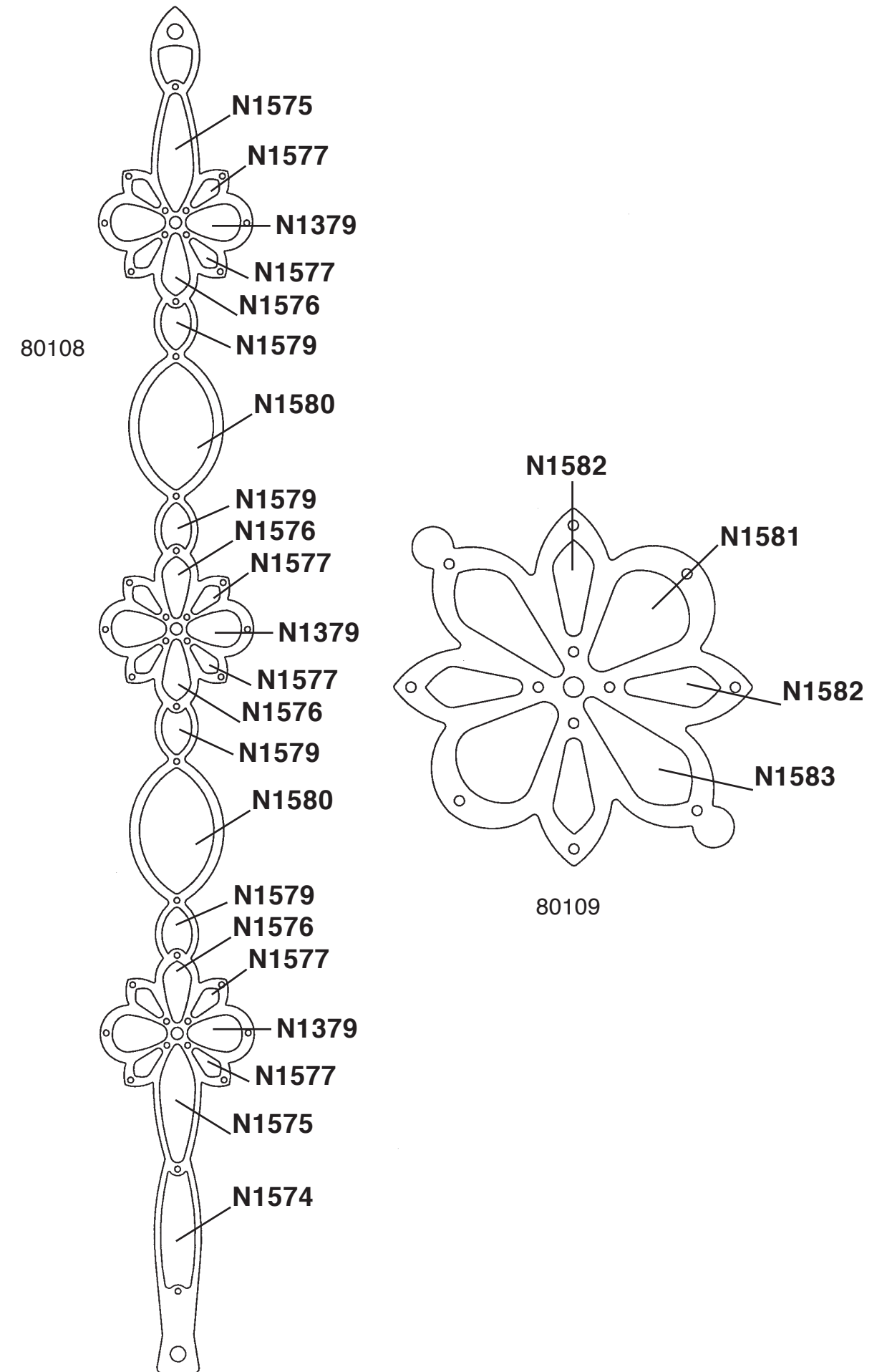
2 Attach crossbar to outlet box.

3 Slip screw collar, crystal cover and metal canopy over chain and then determine at what length the fixture is to be suspended. Join the required length of fixture chain to connecting link on stem of fixture and loop attached to ceiling canopy at other end.

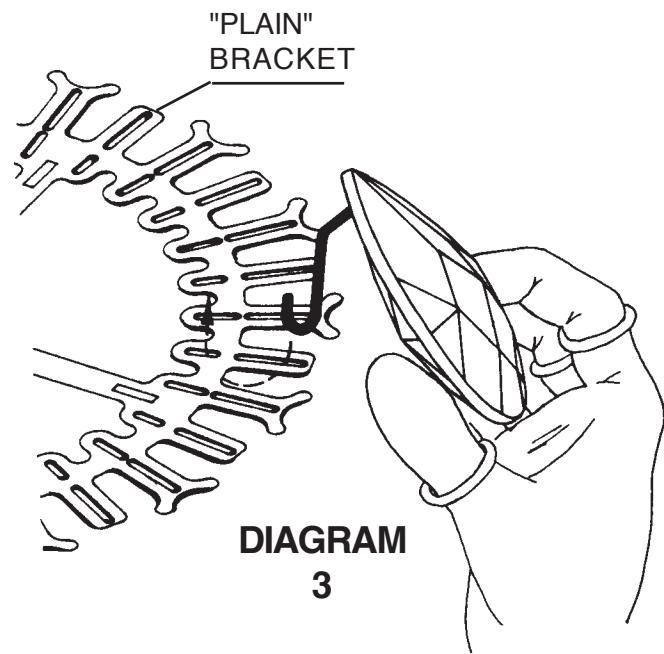
4 Feed stem wires through chain, through loop at canopy end, and attach to power wires in outlet box. Fixture **MUST** be grounded.

5 Check distance from ceiling to loop to assure canopy assembly will be flush against ceiling.

6 Attach canopy to ceiling with screw collar, thereby retaining complete assembly against ceiling. Screw bulbs into all sockets. Test power to insure proper wiring before hanging trim from fixture.



Installation of Crystal "B"

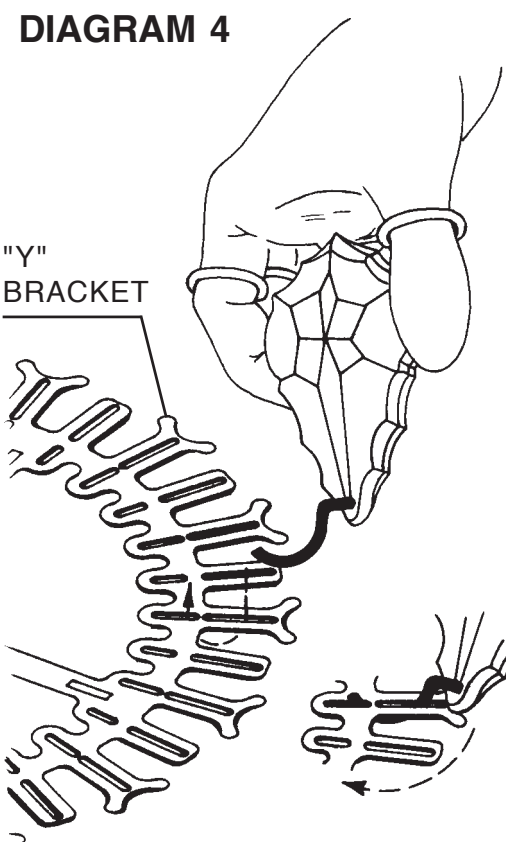


Position the crystal above the "plain" bracket so that the end of the hook enters the slot, gently push toward the center of the fixture and raise the crystal making sure that the end of the hook comes up through the inner slot, in line with the outer slot.

With the hook in the bracket, as shown, pivot the crystal downwards so that the hook rests in the end of the outer slot.

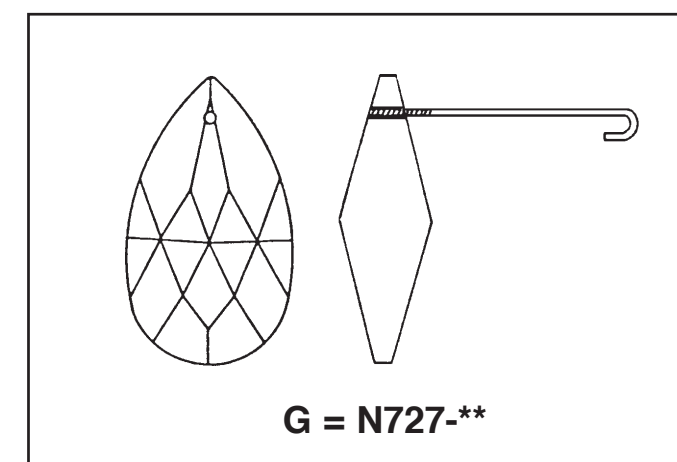
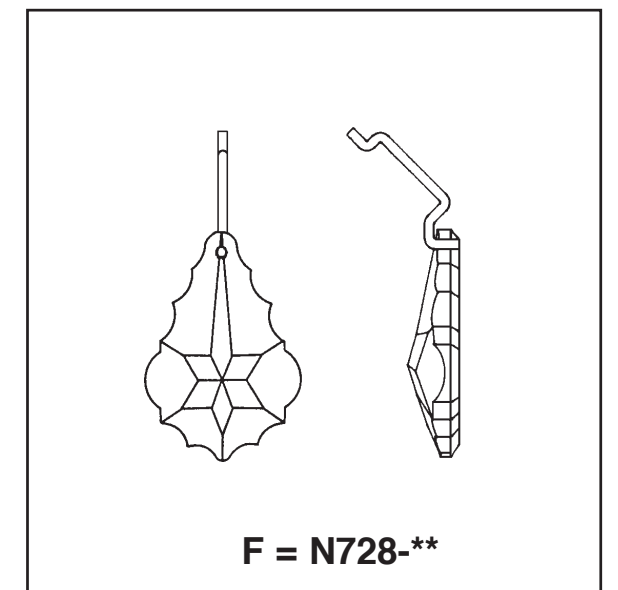
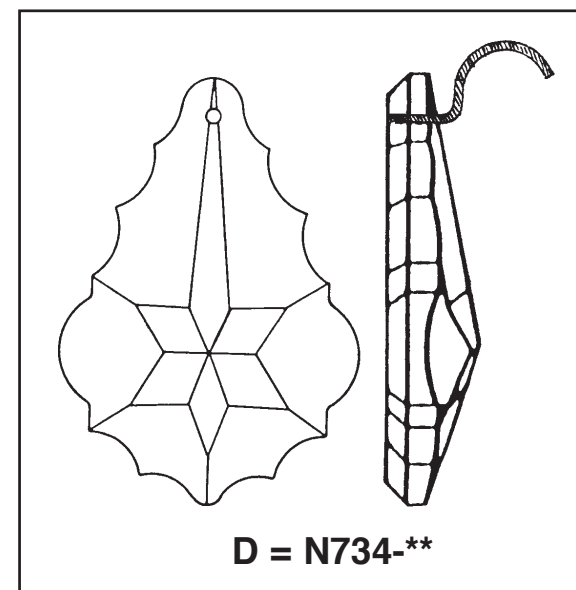
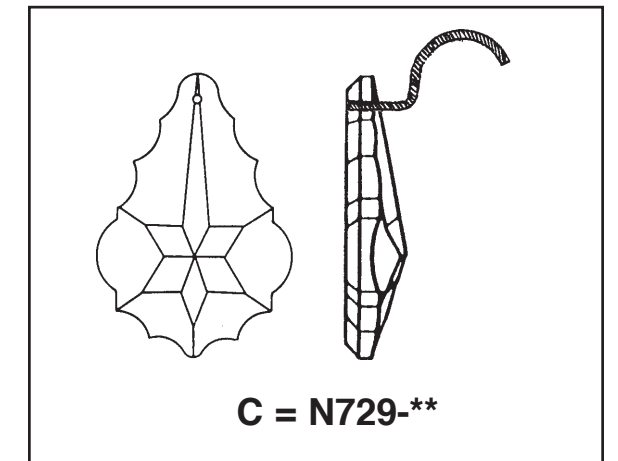
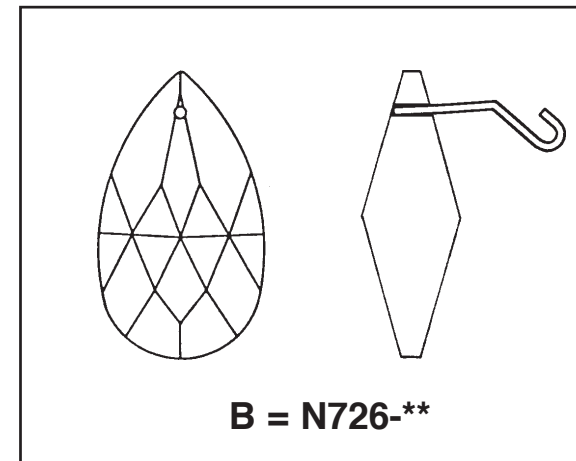


Installation of Crystal "C" and "D"

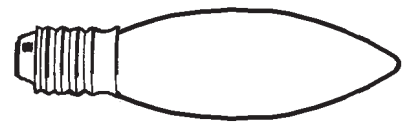


Position the crystal above the "Y" bracket so that the end of the hook enters the long slot, gently push toward the center of the fixture and raise the crystal making sure that the end of the hook comes up through the short slot, in line with the long slot.

With the hook in the bracket, as shown, pivot the crystal downwards so that the hook rests in the end of the long slot.



7



You will need 12 - B10
25 Watts Recommended
60 Watts Max

**Install bulbs and be sure to
test fixture BEFORE trimming.**

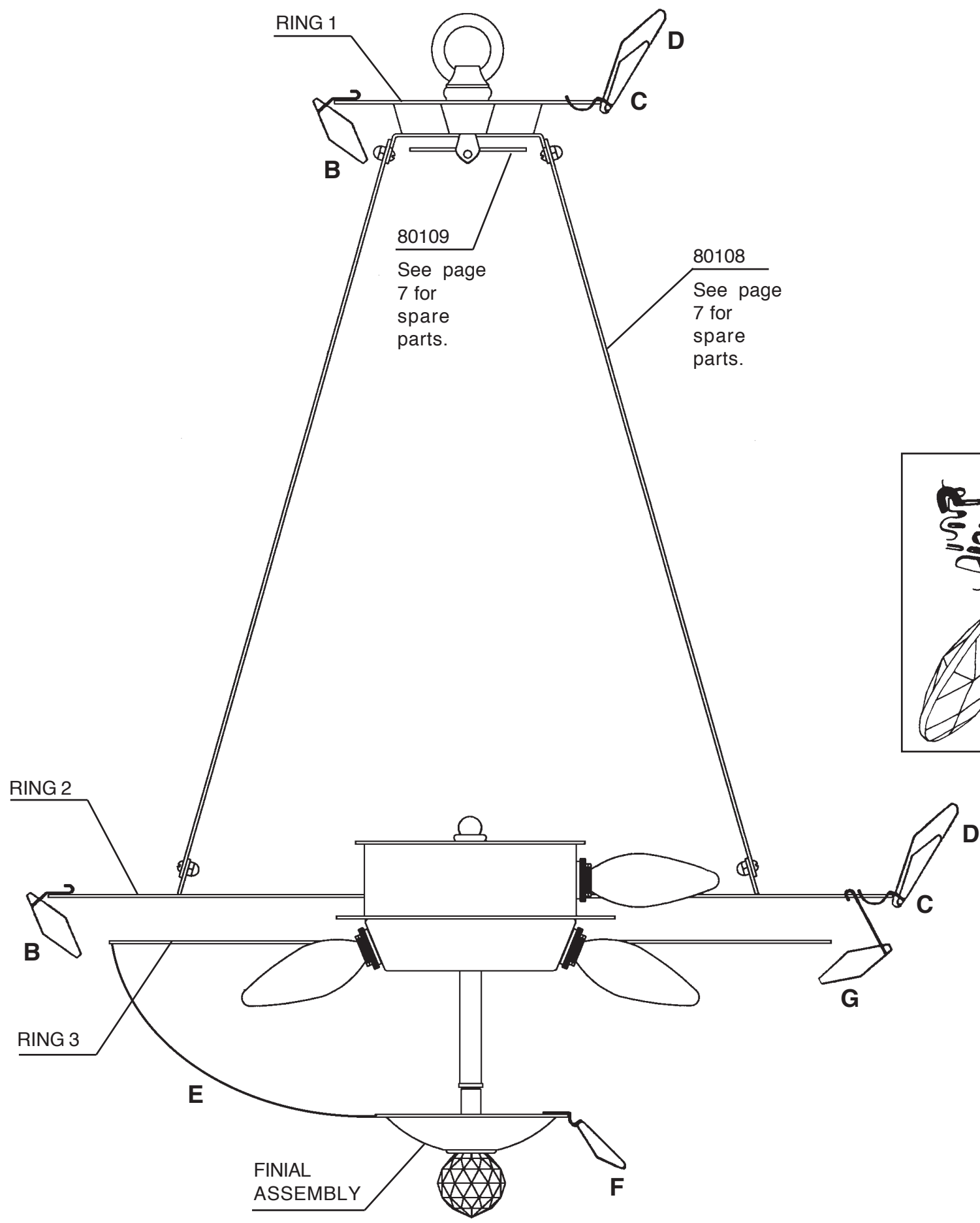
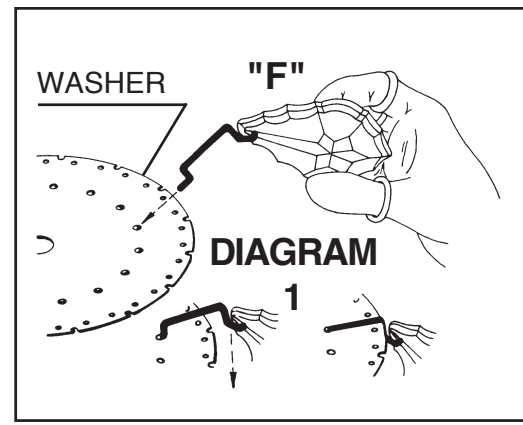


8 Hook Crystal "B" into the "plain" bracket of ring 1. See diagram 3 on page 6.
Hook small Crystal "C" into every second "Y" bracket of ring 1. See diagram 4 on page 6. Hook large Crystal "D" into the remaining "Y" brackets on the ring 1. See diagram 4 on page 6.

9 Screw finial assembly onto bottom of chandelier. Hook Crystal Chain "E" (large crystal towards top) into the ring 3. Hook Crystal "F" into the washer on the finial assembly. See diagram 1 for detailed instructions.

10 Hook the bottom of Chains "E" into the lexan washer. Close bottom hook after inserting into washer.

11 Hook Crystal "G" into the back slot of the "Y" bracket of ring 2. See diagram 2 for detailed instructions.
Hook Crystal "B" into the "plain" bracket of ring 2. See diagram 3 on page 6.
Hook small Crystal "C" into every second "Y" bracket of ring 2. See diagram 4 on page 6. Hook large Crystal "D" into the remaining "Y" brackets of ring 2. See diagram 4 on page 6.



80109
See page
7 for
spare
parts.

80108
See page
7 for
spare
parts.

