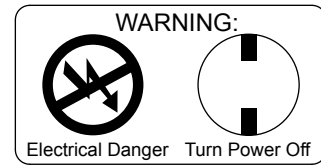
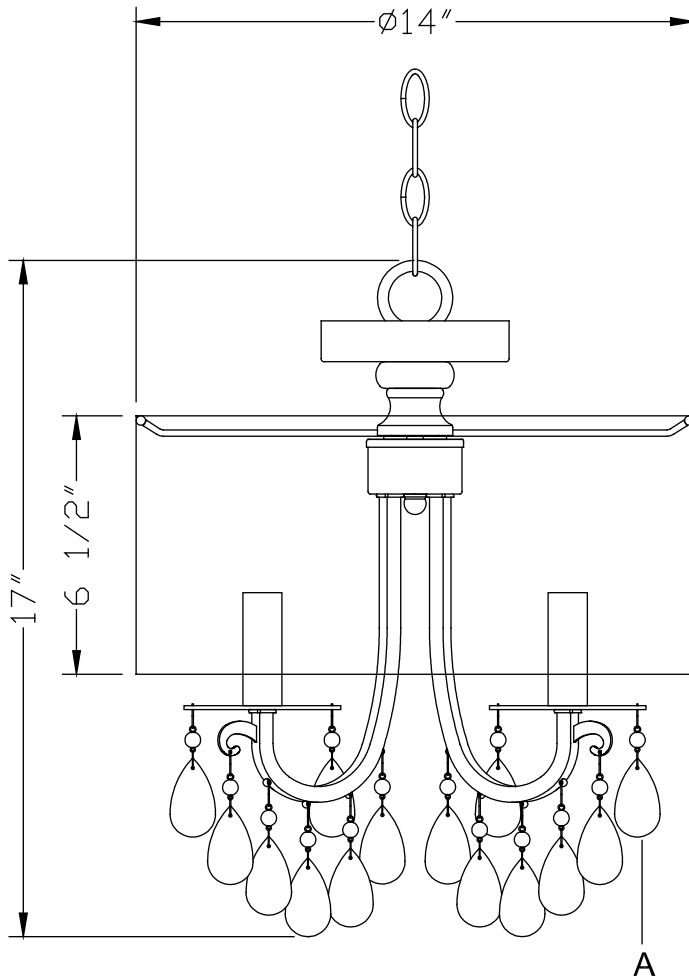


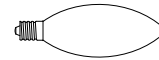
CRYSTORAMA

LIGHTING THE WAY FOR SIXTY YEARS

ASSEMBLY INSTRUCTION MODEL #5623-AB



All electrical components must be installed by a licensed electrician in accordance with the National Electric Code and the appropriate local electrical codes.



You will need 3-Candabra Base Bulb
40Watts Recommended 60 Watts Max.

USE LED BULBS FOR EXTENDED USE

How to Install

1. Do a complete inventory of all parts and components before you start installing
2. After safely attaching fixture into outlet box, install bulb and proceed to connecting the power.
3. When you begin to dress the fixture, start with packet labeled (A)
4. **IMPORTANT:** Apply crystal sets in alphabetical order

Crystal Sets

A. (10mm+50mm)x27sets



CRYSTORAMA

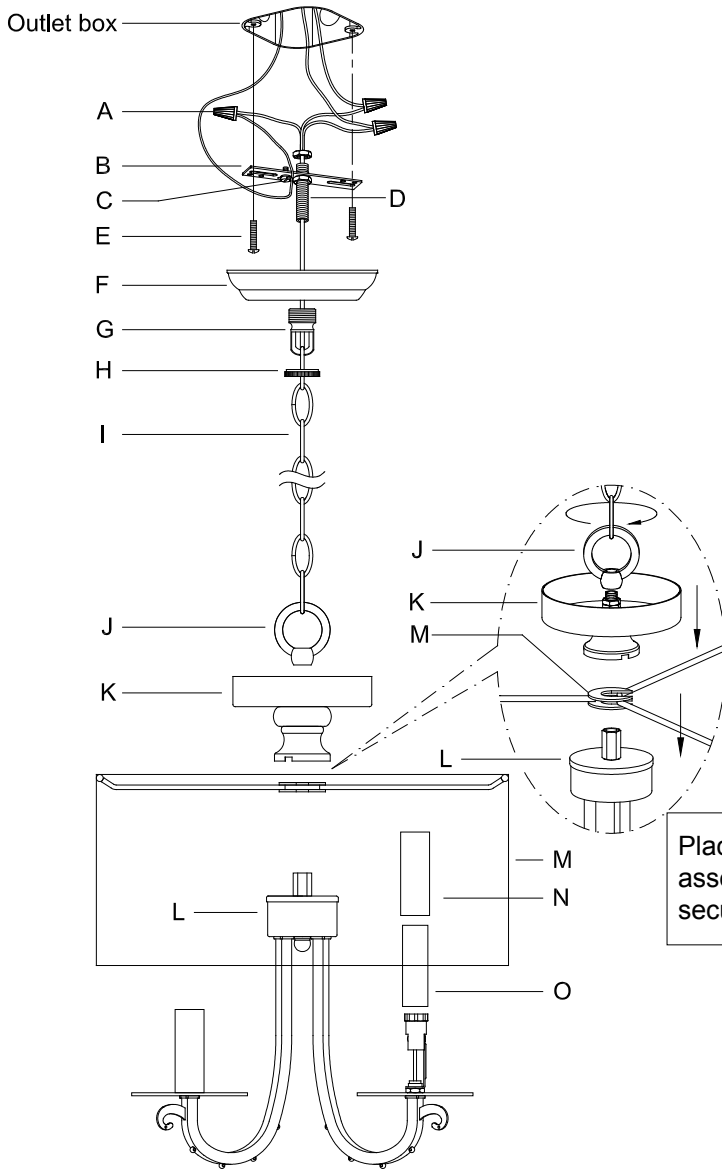
LIGHTING THE WAY FOR SIXTY YEARS

ASSEMBLY INSTRUCTION MODEL #5623-AB

Part Number

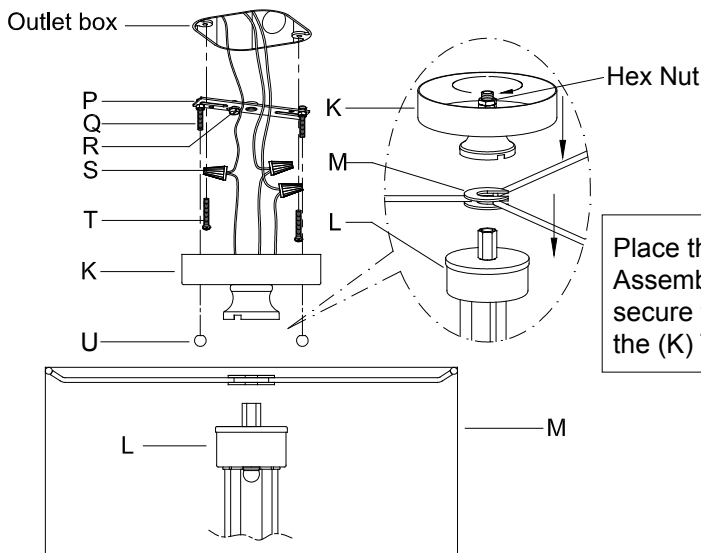
Part Numbers

- A. (3)-Wire Connector
- B. (1)-Mounting Plate
- C. (1)-Ground Screw
- D. (1)-Nipple
- E. (2)-Outlet Box Screws
- F. (1)-Canopy (W5.1" xH1") XEH5623ABCAN5IN
- G. (1)-Collar Loop
- H. (1)-Collar Ring
- I. (1)-Chain;72",4mm XEH5623ABCHA4MM
- J. (1)-Loop
- K. (1)-Top Assembly
- L. (1)-Frame
- M. (1)-Fabric Shade (W14" xH6.5") XEH5623ABSHA14IN
- N. (3)-Metal Sleeve (H2.83") XEH5622ABMCDL2.83IN
- O. (3)-Plastic Sleeve (H2.75") XEH5622ABPCDL2.75IN
- P. (1)-Mounting Plate
- Q. (2)-Screws
- R. (1)-Ground Screw
- S. (3)-Wire Connector
- T. (2)-Outlet Box Screws
- U. (2)-Ball Nuts XEH5623ABBANUT



Place the (M) Fabric shade and (K) Top assembly onto the top of (L) Frame, then secure them by tightening the (J) Loop.

For Ceiling



Place the (M) Fabric shade and (K) Top Assembly onto the top of (L) Frame, then secure them by tightening the hex Nut of the (K) Top Assembly.