

Please go to [www.quoise.com](http://www.quoise.com) for product cleaning tips. Go to the **Care + Maintenance** selection.

**Tools Required:** Flathead screwdriver, Phillips screwdriver, pliers, wire cutters, wire strippers, electrical tape, safety glasses, marking pen, 1/16" drill bit, center punch, hammer, drill and wrench.

**Light Source:** (1) A21 Medium Base Bulb 150W Maximum, Medium Base Vintage Bulb is recommended, bulb not included.

**Estimated Assembly Time:** 20-30 minutes

**Preparation:** Identify and inspect all parts before beginning installation. Check package content list and diagrams below to ensure all parts are present. If any parts are missing or damaged, do not attempt to assemble, install, or operate the fixture. Contact your original place of purchase.

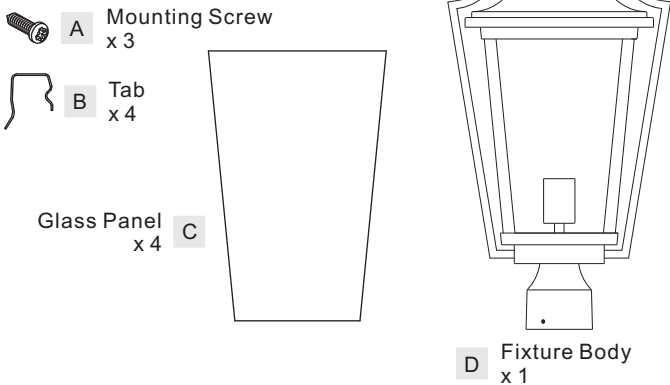
### ⚠ Warnings and Cautions

Turn off electricity at circuit breaker or main fuse box before installation. Consult a licensed electrician if in doubt.

These instructions are provided for your safety. It is very important you read them completely before installing the fixture. We strongly recommend that a licensed, professional electrician perform the installation.

Disconnect fixture from power source before replacing bulbs. Make sure bulbs are given sufficient time to cool before removal.

### Package Contents



### STEP 2 - Install Glass Panels

A. Place the Glass Panel (C) into the slot in the bottom edge of the cage and Fixture Body (D). Secure the Glass Panel (C) by pressing the Tab (B) onto the top edge of the Glass Panel (C) and the slot on the top edge of the cage.

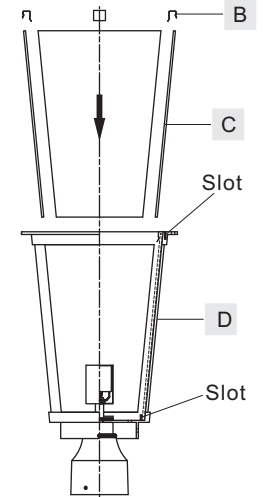


Figure 2

### STEP 2 - Remove Arm and Fixture Hood

- Remove lock screw on the top center of the Fixture Body (D).
- Unlock lock balls in the bottom edge of the cage and remove the arm from the Fixture Body (D).
- Unscrew screws on the top edge of the cage and remove the fixture hood from the Fixture Body (D).

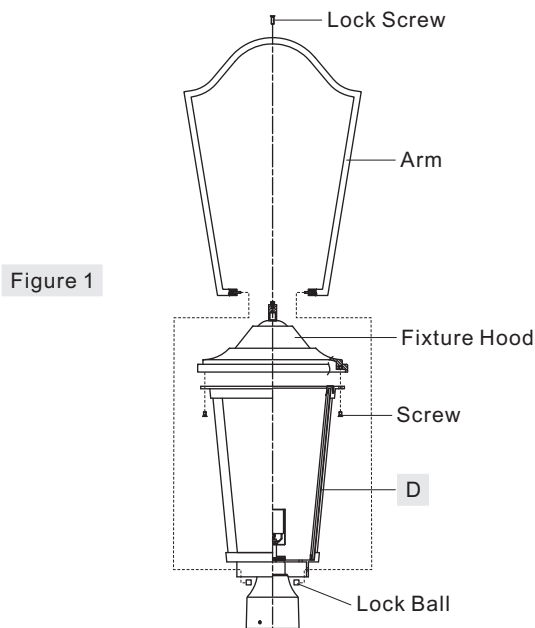


Figure 1

### STEP 3 - Install Bulb, Fixture Hood and Arm to Fixture Body

- Insert the bulb onto the socket and screw snugly into place.
- Place the fixture hood onto the cage and Fixture Body (D) and secure with previously removed screws. Hand tighten until snug with screwdrivers.
- Place bolts on the bottom end of the arm to holes on the bottom edge of the cage and secure with previously removed lock balls. Hand tighten until snug.
- Thread the lock screw back onto the top of the Fixture Body (D). Hand tighten until snug with screwdrivers.

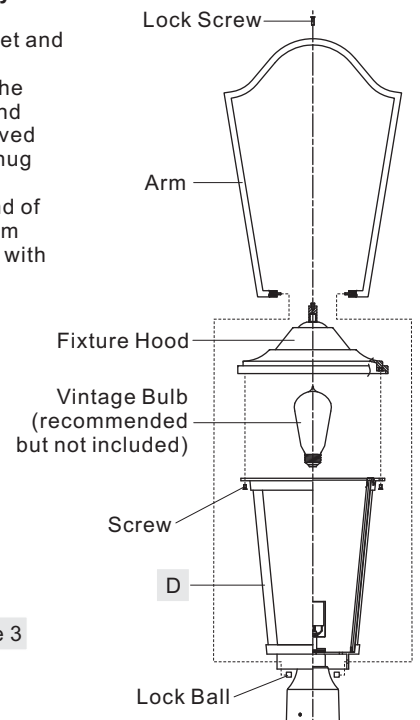


Figure 3

#### STEP 4 – Mark the Location for the 3 Mounting Holes

A. Place the light fixture onto the post and mark the location of the 3 mounting holes on the fixture fitter onto the post with the marking pen.

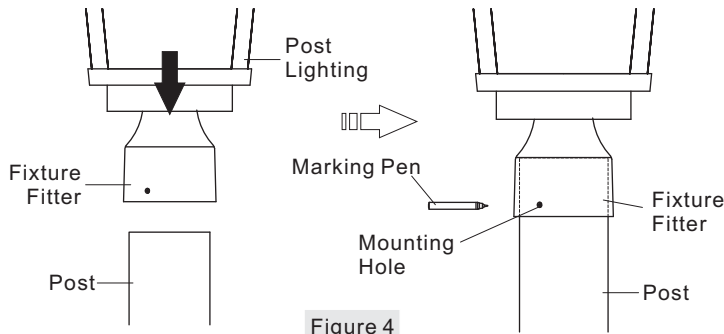


Figure 4

#### STEP 5 – Marking the Center of Each Mounting Hole

A. Remove the light fixture. Using the center punch and hammer marking the center of each mounting hole location that is marked with the marking pen.

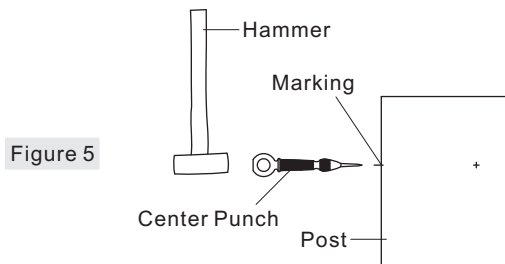


Figure 5

#### STEP 6 – Drill Holes

A. Using the 1/16" bit and drill, drill a pilot hole completely through the post at each (3) locations marked in step 5 above.

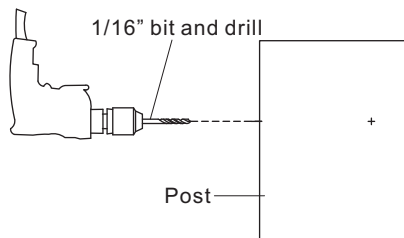


Figure 6

#### STEP 7 - Wire Connections

A. Use standard wire connectors (not included) to make all wire connections. Twist connectors until wires are tightly joined together. Wrap each connection with approved electrical tape and carefully stuff all the connected wires into the Outlet Box.

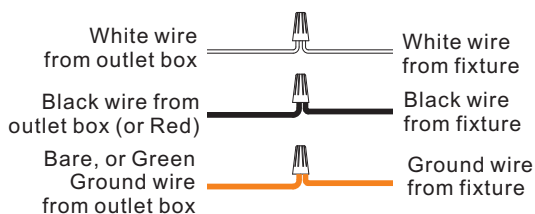


Figure 7

#### STEP 8 – Attach the fixture to the Post Mount

A. Place the fixture on the post lining up the mounting holes on the fixture fitter with the holes on the post. Use the Mounting Screws (A) to attach the fixture to the post.

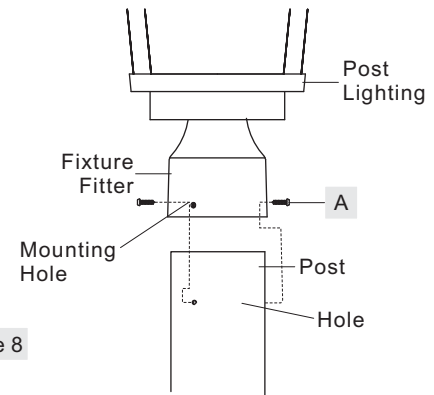


Figure 8

#### HOW TO REPLACE BULB

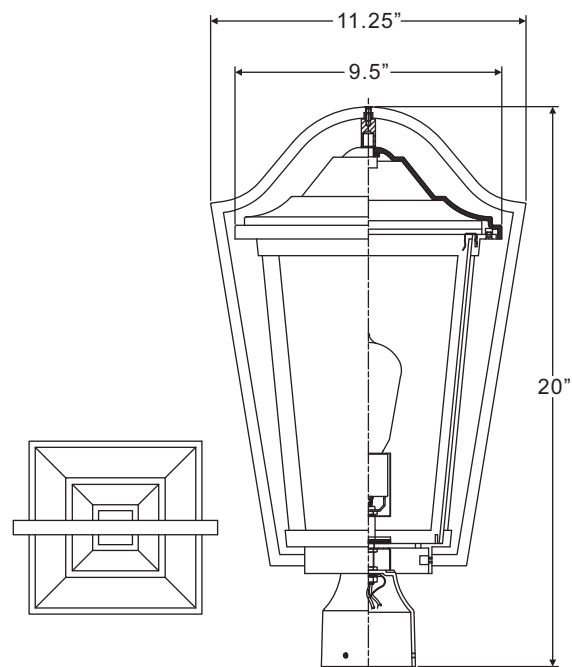
- Refer to Step 1 to remove the arm and the fixture hood from the fixture body.
- Refer to Step 3 to replace the bulb, reinstall the fixture hood and the arm to the fixture body.

#### HOW TO REPLACE GLASS PANEL

- Refer to Step 1 to remove the arm and the fixture hood from the fixture body.
- Refer to Step 2 to replace the glass panel.
- Refer to Step 3 to reinstall the fixture hood and the arm to the fixture body.

DRS9011EK

FINISH: EARTH BLACK



NOTE: ALL DIMENSIONS ARE ROUNDED UP TO THE NEAREST 1/4"