

Please go to [www.quoizel.com](http://www.quoizel.com) for product cleaning tips. Go to the **Care + Maintenance** selection.

**Tools Required:** Flathead screwdriver, Phillips screwdriver, pliers, wire cutters, wire strippers, electrical tape, safety glasses.

**Light Source:** (4) B10 Candelabra Base bulbs 60W Maximum, bulb not included.

**Estimated Assembly Time:** 30-45 minutes

**Preparation:** Identify and inspect all parts before beginning installation. Check package content list and diagrams below to ensure all parts are present. If any parts are missing or damaged, do not attempt to assemble, install, or operate the fixture. Missing Parts? Contact your original place of purchase.

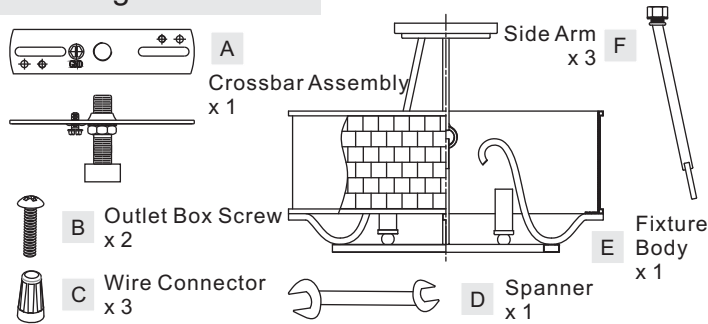
## ⚠ Warnings and Cautions

Turn off electricity at circuit breaker or main fuse box before installation. Consult a licensed electrician if in doubt.

These instructions are provided for your safety. It is very important you read them completely before installing the fixture. We strongly recommend that a licensed, professional electrician perform the installation.

Disconnect fixture from power source before replacing bulbs. Make sure bulbs are given sufficient time to cool before removal.

## Package Contents



### STEP 1 - Assemble Side Arms

- Remove Hex Nut and Washer from the Side Arm (F). Attach the loop end of the Side Arm (F) to the inside arm of the Fixture Body (E). Pass the nipple at the top end of the Side Arm (F) through the hole on the Ceiling Canopy. Place the Washer back onto top end of the Side Arm (F) and by using Spanner (D) thread the Hex Nut onto the Side Arm (F) to secure them together. Hand tighten until snug.

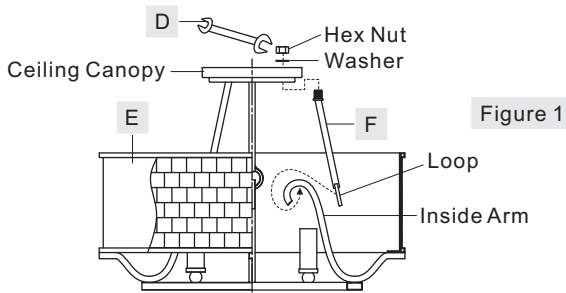


Figure 1

### STEP 2 - Install the Crossbar Assembly to Outlet Box and Adjust the length of the Nipple

- Attach the Crossbar Assembly (A) to the Outlet Box with the head of the Green Ground Screw facing you. Secure it with Outlet Box Screws (B), tighten until snug.
- Adjust the hex nut and lock washer underside of the crossbar to the middle of the nipple.
- Remove the Lock Ball from the Nipple. Place the Fixture Canopy over the Nipple against the ceiling to determine the correct position of the nipple. Thread the Finial onto the Nipple. Adjust the nipple to allow the Fixture Canopy to rest against the ceiling when held in place by the Lock Ball.
- Remove the Lock Ball and the Fixture Canopy. Tighten the lock washer against the crossbar to secure in place.

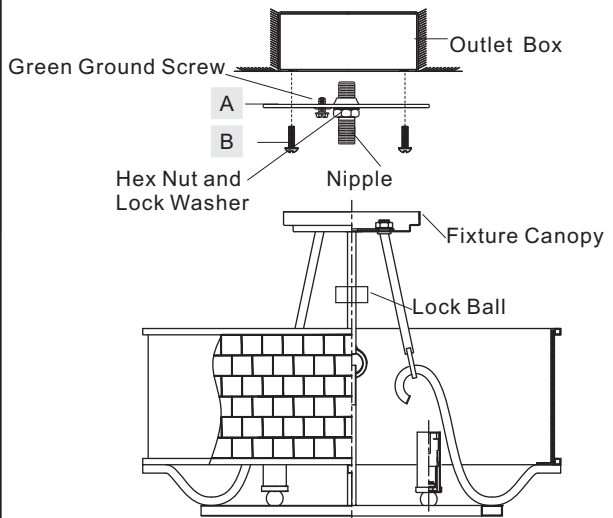
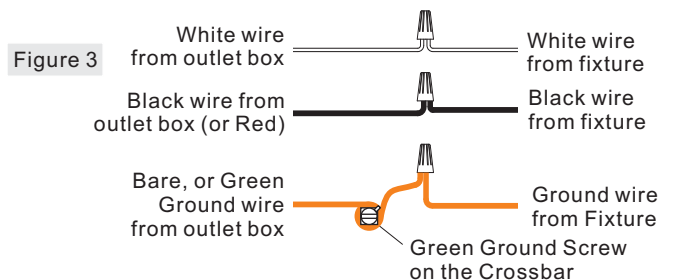


Figure 2

### STEP 3 - Wire Connections

- Wrap bare or green ground wire around green ground screw on the crossbar, no less than 2 inches from the end of the wire. Tighten the green ground screw.
- Use standard wire connectors (not included) to make all wire connections. Twist connectors until wires are tightly joined together. Wrap each connection with approved electrical tape and carefully stuff all the connected wires into the Outlet Box.



#### STEP 4 - Install Fixture Body to Crossbar

A. Attach the Fixture Body (E) over the end of the Nipple and secure with the Lock Ball. Hand tighten until snug.

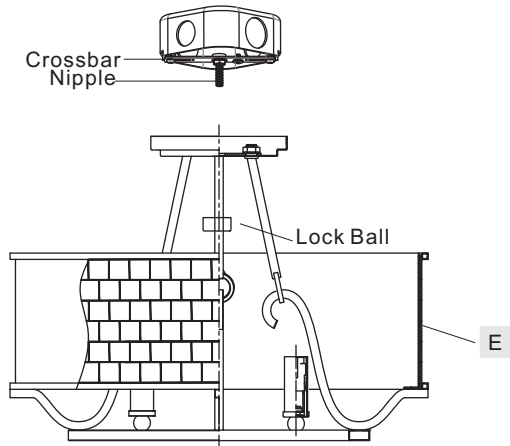


Figure 4

#### STEP 5 - Install Bulbs

A. Insert bulbs onto sockets and screw snugly into place.

Your fixture is now assembled and ready to use. Enjoy!

Figure 5

