

HINKLEY

72" HOVER FLUSH™

INDOOR / OUTDOOR LED FAN



WET



DC MOTOR



LED



CERTIFIED



WIFI



CEILING FAN INSTRUCTION MANUAL

WE WANT YOU TO LOVE YOUR NEW FAN

SO WE'RE HERE IF YOU HAVE A QUESTION, NEED SOME HELP OR WANT TO CHAT ABOUT OUR PRODUCTS. SEND SUGGESTIONS OUR WAY TOO—WE'RE ALWAYS LOOKING TO MAKE YOUR EXPERIENCE WITH HINKLEY A POSITIVE ONE.

> SERVICE@HINKLEY.COM

> [800.HINKLEY](tel:800.HINKLEY)

> [LET'S SEE THAT HINKLEY STYLE @HINKLEY](#)
[#HINKLEYSTYLE](#)

This manual contains complete instructions for the installation and operation of this fan. It has been designed to make the installation process as easy as possible. If you are unfamiliar or uncomfortable with wiring, please contact a qualified electrician. If you need additional assistance or have any questions, please reach out to us.

For warranty information, visit hinkley.com.

TABLE OF CONTENTS

02	GENERAL INSTALLATION & OPERATING INSTRUCTIONS	09	INSTALLING THE ADAPTER PLATE
03	IMPORTANT SAFETY PRECAUTIONS	10	INSTALLING THE LED ASSEMBLY AND GLASS SHADE
03	TOOLS & MATERIALS REQUIRED	12	INSTALLING THE WALL CONTROL
04	UNPACKING YOUR FAN	13	OPERATION
05	PREPARATION	15	CARE AND CLEANING
05	INSTALLING THE HANGING BRACKET	15	TROUBLESHOOTING
06	HANGING THE FAN	16	ENERGY GUIDE
07	ELECTRICAL CONNECTIONS	16	SPECIFICATIONS
08	FINISHING THE INSTALLATION	17	DOWNLOADING THE HINKLEY APP
09	INSTALLING OF THE BLADES		

WARNING:

Read and follow these instructions carefully and be mindful of all warnings shown throughout.

GENERAL INSTALLATION & OPERATION INSTRUCTIONS

- 1 To ensure the success of the installation, be sure to read the instructions and review the diagrams thoroughly before beginning.
- 2 To avoid possible electric shock, be sure electricity is turned off at the main power box before wiring. All electrical connections must be made in accordance with local codes, ordinances and/or the National Electric Code. If you are unfamiliar with the methods of installing electrical wiring and products, secure the services of a qualified and licensed electrician as well as someone who can check the strength of the supportive ceiling members and make the proper installation(s) and connections.
- 3 **WARNING:** To reduce the risk of fire, electric shock, or other personal injury, mount fan only on an outlet box or supporting system marked acceptable for fan support of 35 lbs (15.9 kg) or less and use mounting screws provided with the outlet box. Most outlet boxes commonly used for the support of lighting fixtures are not acceptable for fan support and may need to be replaced. Consult a qualified electrician if in doubt.
- 4 Make sure that your installation site will not allow rotating fan blades to come in contact with any object. Blades should be at least 7 feet from floor.
- 5 Blades should be attached after motor housing is hung and in place. Fan motor housing should be kept in the carton until ready to be installed to protect its finish. If you are installing more than one ceiling fan, make sure that you do not mix fan blade sets, as each blade is part of a weighted set.
- 6 After making electrical connections, spliced conductors should be turned upward and pushed carefully up into outlet box. The wires should be spread apart with the common conductor and the grounding conductor on one side of the outlet box, and the "HOT" wires on the other side.
- 7 Electrical diagrams are for reference only. Light kits that are not packed with the fan must be UL listed and should be installed per the light kit's installation instructions.
- 8 After fan is completely installed, check to make sure that all connections are secure to prevent fan from falling and / or causing damage or injury.
- 9 The fan can be made to work immediately after installation - the bearings are adequately charged with grease so that, under normal conditions, further lubrication should not be necessary for the life of the fan.
- 10 To operate the reverse function on this fan, press the reverse button while the fan is running.
- 11 **CAUTION:** Do not ingest battery - Chemical burn hazard. Keep new and used batteries away from children.
- 12 The remote control supplied with a coin/button cell battery. If the coin/button cell battery is swallowed, it can cause severe internal burns in just 2 hours and can lead to death.
- 13 If the battery compartment does not close securely, stop using the product and keep it away from children.
- 14 If you think batteries might have been swallowed or placed inside any part of the body, seek immediate medical attention.

IMPORTANT SAFETY PRECAUTIONS

WARNINGS:

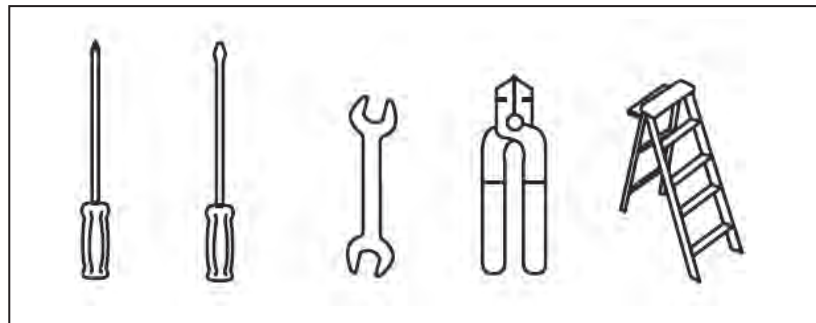
- Disconnect power by removing fuse or turning off circuit breaker before installing the fan and/or optional lighting.
- Support directly from building structure.
- To reduce the risk of fire, electric shock or personal injury, mount to outlet box marked "acceptable for fan support" and use mounting screws provided with the outlet box. Most outlet boxes commonly used for the support of lighting fixtures are not acceptable for fan support and may need to be replaced. Consult a qualified electrician if in doubt.
- Do not use an incandescent light dimmer. Do not use this fan with any transformer type fan speed control device.
- To reduce the risk of personal injury, do not bend the blade arms when installing them, balancing the blades or cleaning the fan. Do not insert any object(s) between rotating fan blades.

NOTE:

The important precautions, safeguards and instructions appearing in this manual are not meant to cover all possible conditions and situations that may occur. It must be understood that common sense, caution and carefulness are factors which cannot be built into this product. These factors must be supplied by the person(s) installing, caring for and operating the unit.

TOOLS & MATERIALS REQUIRED

- PHILLIPS SCREWDRIVER
- FLAT SCREWDRIVER
- WRENCH OR PLIERS
- WIRE CUTTER
- STEPLADDER
- WIRING SUPPLIES AS REQUIRED BY ELECTRICAL CODE

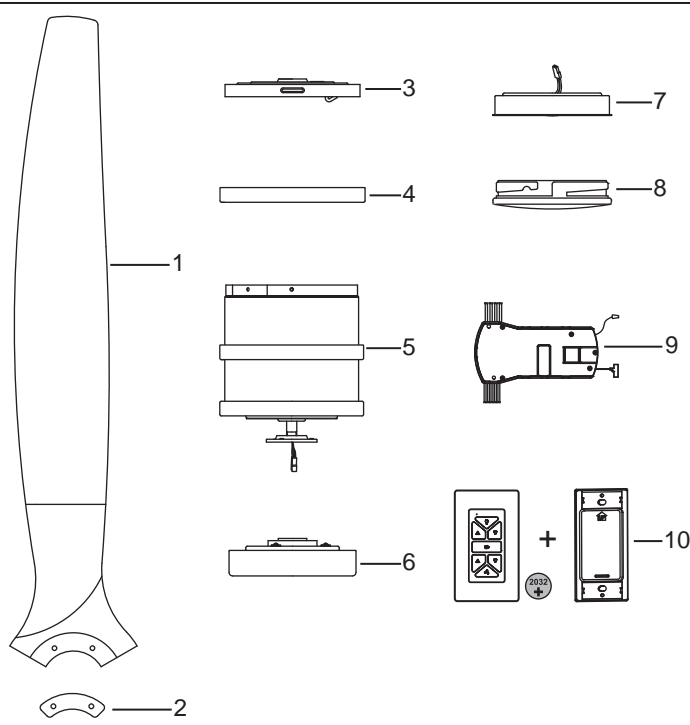


UNPACKING YOUR FAN

UNPACK YOUR FAN AND CHECK THE CONTENTS.

- Do not discard the carton. If warranty replacement or repair is ever necessary, the fan should be returned in original packing. Remove all parts and hardware. Do not lay motor housing on its side, or the decorative housing may shift, be bent or damaged.
- Examine all parts. You should have the following:

PACKAGE CONTENT		
1	Blade Set of 3	BL900872Fxx
2	Blade Support Plates	In Hardware Bag
3	Mounting Bracket	x
4	Decorative Ring	RG900872Fxx
5	Fan Housing with Motor *Remove rubber shipping supports around motor, if applicable. Save the screws.	x
6	Adapter Plate	AP900852Fxx
7	16W LED Assembly	E900852LED
8	Glass Shade	GL900852ETCH
9	Receiver (pre-installed)	CNW900872
10	HIRO Wall Control w/2032 Battery, Cradle A, Wall Plate, Face Plate, 2 Mounting Screws, Cradle B (for flat wall use only)	980014FWH-R
11	Hardware Bag Bracket Mounting Hardware (wood screws, screws, lock washers, star washers, flat washers, wire nuts), Blade to Motor Screws w/Lock Washers, Balance Kit, Safety cable hardware (wood screw, flat washer)	MH900872Fxx
XX=FAN FINISH		



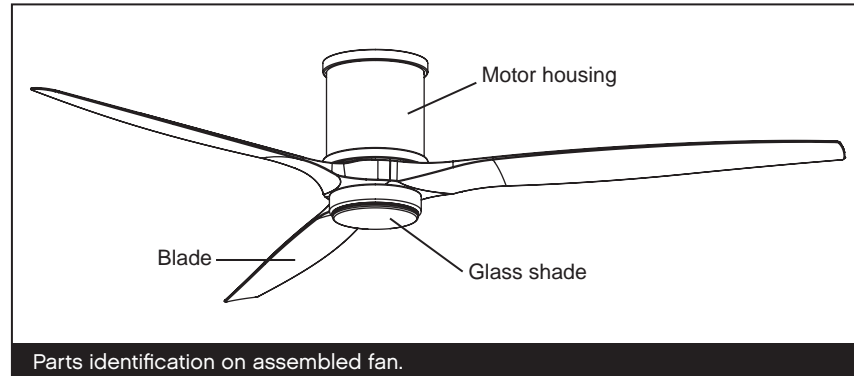
NOTE: Design of parts shown above may look slightly different for your specific model of fan.

PREPARATION

PREPARATION:

Verify you have all parts before beginning the installation. Check foam insert closely for missing parts. Remove motor from packing. To avoid damage to finish, assemble motor on soft padded surface or use the original foam insert in motor box.

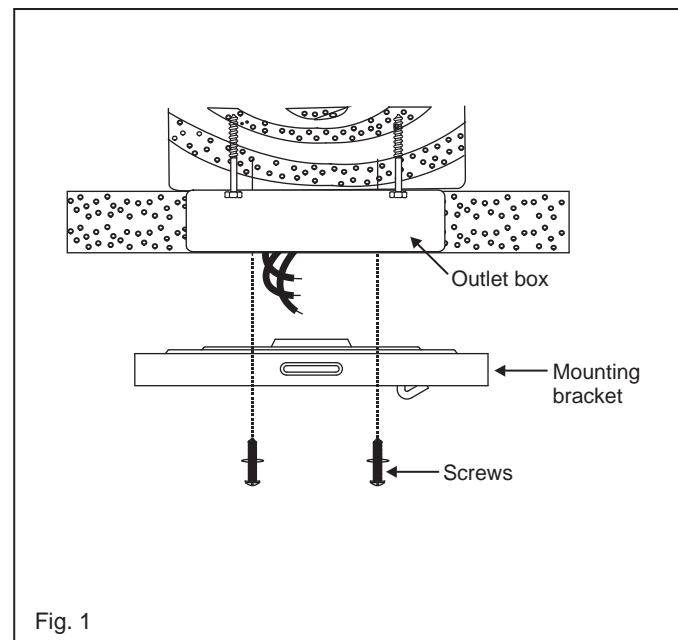
DO NOT LAY MOTOR HOUSING ON ITS SIDE AS THIS COULD RESULT IN SHIFTING OF MOTOR IN DECORATIVE ENCLOSURE.



INSTALLING THE HANGING BRACKET

CAUTION: To avoid possible electrical shock, be sure electricity is turned off at the main power box before wiring. All wiring must be in accordance with National and Local Electrical Codes and the ceiling fan must be grounded as a precaution against possible electric shock.

- 1 Locate ceiling joist where fan is to be mounted, being sure location agrees with the requirements in the minimum clearance section of this guide. Wood joist must be sound and of adequate size to support 35 lbs. (See Page 1, Items 3 and 4).
- 2 If not already present, mount a UL listed outlet box marked "suitable for fan support" following the instructions provided with the outlet box. The outlet box must be able to support a minimum of 35 pounds.
- 3 Attach mounting bracket to outlet box using screws provided with the outlet box.

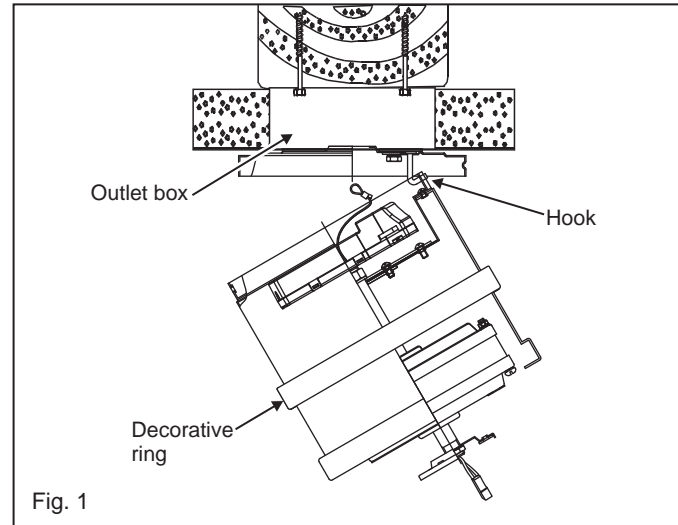


HANGING THE FAN

REMEMBER to turn off the power. Follow the steps below to hang your fan properly.

Place the decorative ring onto the motor housing.

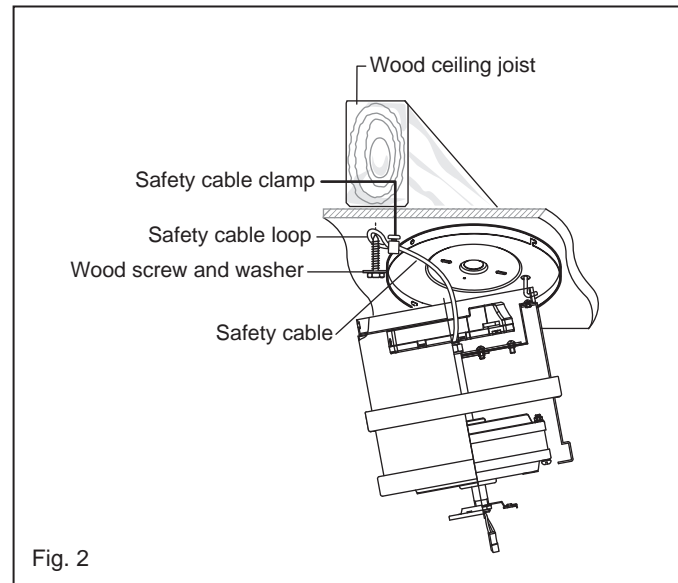
Carefully lift fan motor assembly (without the blades) into position by hanging the motor assembly onto the hook from the ceiling adapter plate allowing it to hang freely. (Fig. 1)



INSTALLATION OF SAFETY CABLE SUPPORT

Attach the wood screw and the flat washer to the ceiling joist as shown (do not fully tighten). Slide the cable clamp onto the safety cable from the fan. Loop the safety cable around the wood screw that was just attached to ceiling joist. Feed the end of the cable into the clamp and pull as much cable through as possible. Firmly tighten screw in the clamp. Cut off excess cable. (Fig. 2)

You are now ready to make the electrical connections.



ELECTRICAL CONNECTIONS

REMEMBER -Turn off the power! **NOTE** - Control must be installed within 30 feet of fan.

WARNINGS: Check to see that all connections are tight, including ground, and that no bare wire is visible at the wire nuts, except for the ground wire.

CAUTION: To reduce the risk of electric shock, this fan must be installed with an isolating wall control/switch.

1. For best performance, make sure the Black Antenna and WIFI Antenna, on the end of the receiver, remains extended and not tangled with any of the electrical wires.
2. Make wire connections from the fan to the receiver unit. For this step use the bundle of 5 wires on the receiver. (Fig. 1)

Connect the YELLOW fan wire to the YELLOW receiver wire.

Connect the GRAY fan wire to the GRAY receiver wire.

Connect the RED fan neutral wire to the RED receiver neutral wire.

Connect the WHITE neutral light kit lead from the fan to WHITE receiver lead marked "For Light".

Connect the BLACK light kit lead from the fan to BLUE receiver lead marked "For Light".

Wire colors out of the fan are black/white for the light kit. Light kit leads from the controller/receiver are blue/white.

3. Connect the wiring from the ceiling to the receiver unit. (Use the 2 wire bundle on the receiver.) Secure with supplied wire nuts.

Connect the BLACK building supply wire to the BLACK receiver wire.

Connect the WHITE receiver neutral wire to the WHITE building neutral wire.

Connect the COPPER building ground wire to the 4 YELLOW/ GREEN ground wires from the fan and receiver.

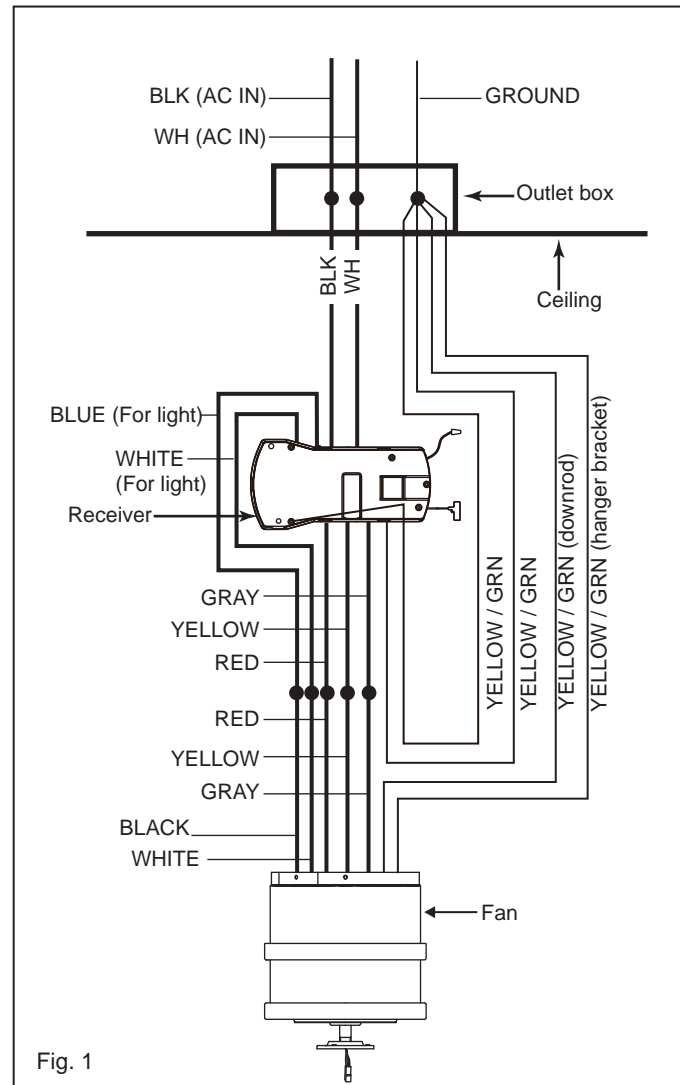
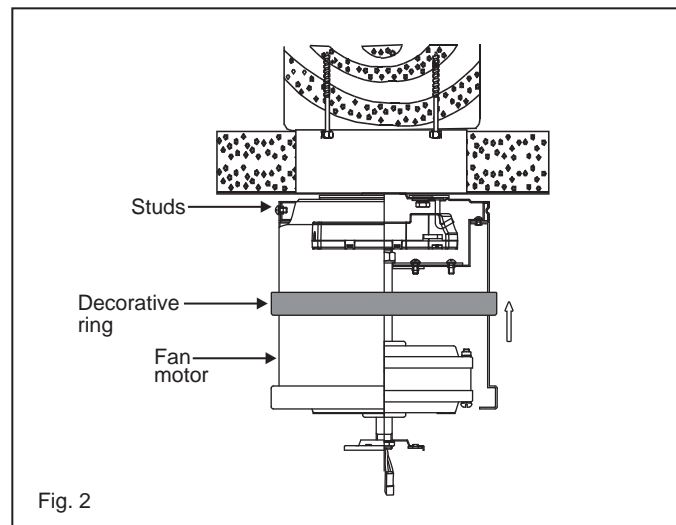
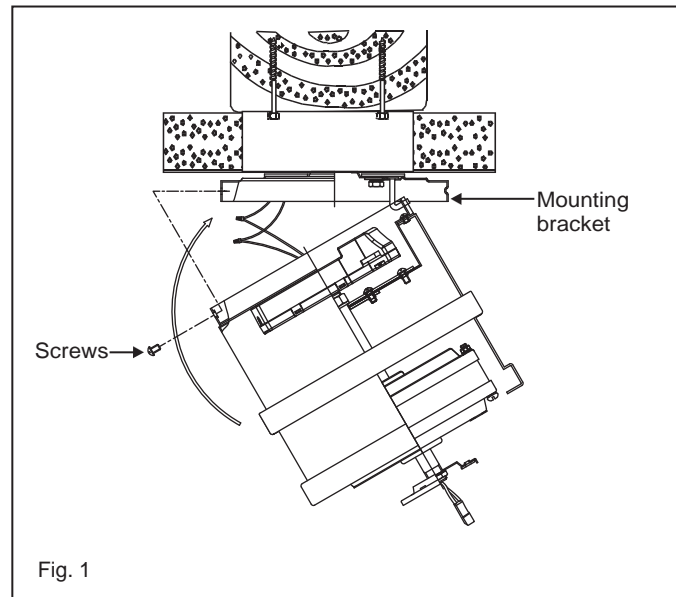


Fig. 1

FINISHING THE INSTALLATION

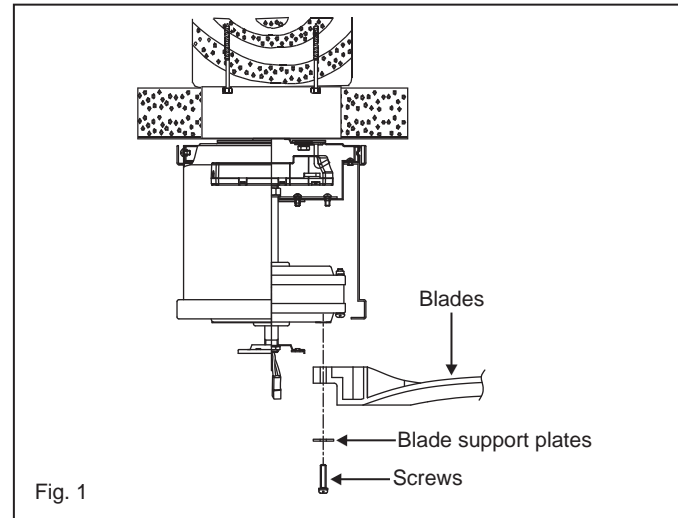
- 1 Move fan into position over the mounting bracket and secure with the 4 screws provided. (Fig. 1)
- 2 Raise up decorative ring and line up the 4 slots on the fan motor with the 4 tabs on the decorative ring. Once lined up, slide the decorative ring and secure it to the top of the fan motor until snug. (Fig. 2)



INSTALLATION OF THE BLADES

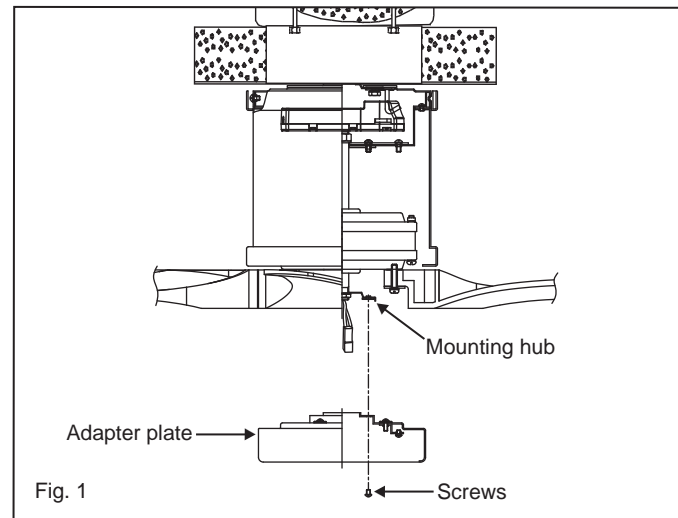
WARNING: To reduce the risk of personal injury, do not bend the blades while installing, balancing the blades, or cleaning the fan.

- 1 Fasten blade to motor with provided blade support plates and screws. Repeat procedure for remaining blades. Make sure screws are TIGHT! Loose motor screws can contribute to unnecessary hum during operation.



INSTALLING THE ADAPTER PLATE

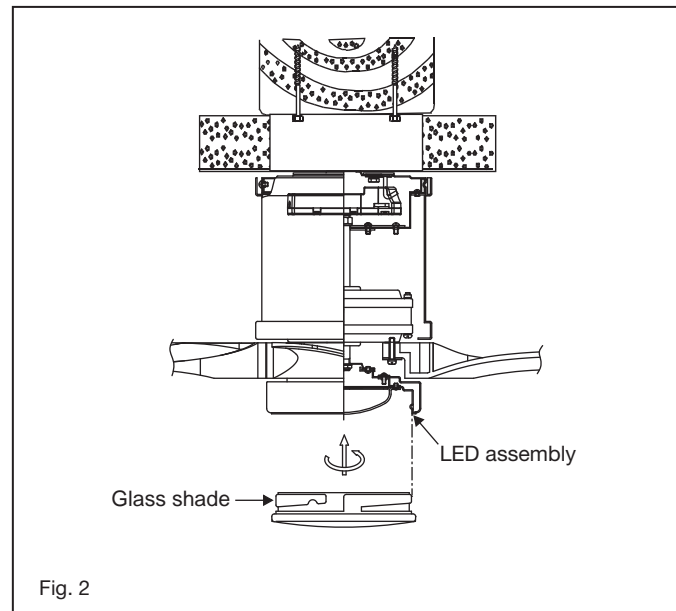
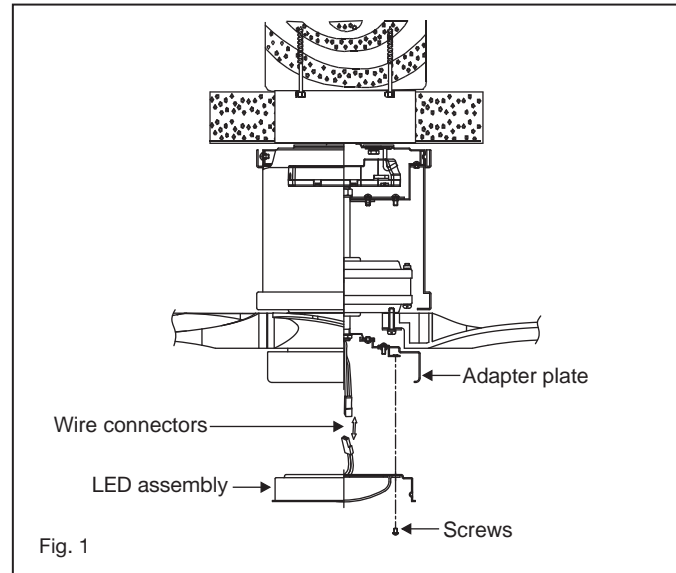
- 1 Remove one of the three screws on the mounting hub located on the fan motor.
- 2 Loosen the other two screws.
- 3 Install adapter plate to mounting hub.
- 4 Line up the two slotted holes with the two loose screws on the mounting hub located on fan motor.
- 5 Re-install the third screw removed and tighten all three.



INSTALLING THE LED ASSEMBLY AND GLASS SHADE

WARNING: Before starting installation, disconnect the power by turning off the circuit breaker or removing the fuse at fuse box. Turning power off using the fan switch is not sufficient to prevent electric shock.

- 1 Remove the 1 of 3 screws from the posts of the LED assembly decorative housing and keep it for future use. Loosen the other 2 screws. (Do not remove)
- 2 While holding the LED assembly under your fan, make the polarize plug connections: (Fig. 2)
 - Red to white
 - Black to black
- 3 Place the key holes on the LED assembly over the 2 screws previously loosened, turn the light plate until it locks in place at the narrow section of the key holes. Secure by tightening the 2 screws previously loosened and the one previously removed. (Fig. 1)
- 4 Raise glass shade up against adapter plate and secure it to the fan by turning the glass shade clockwise until snug. DO NOT OVERTIGHTEN.
- 5 Restore power and your light kit is ready for operation.



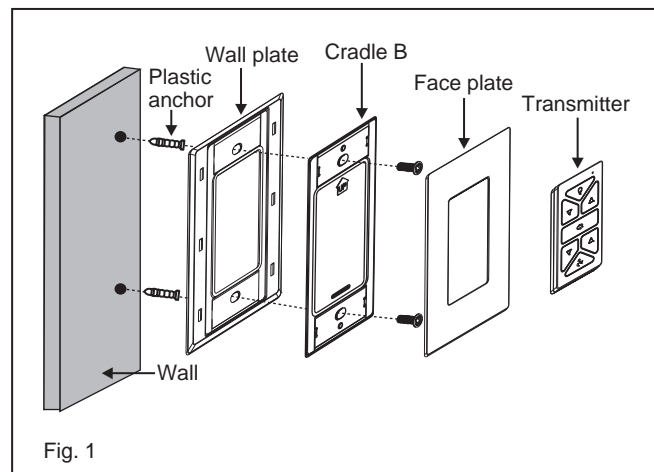
INSTALLING THE WALL CONTROL

REMEMBER to turn off the power before you begin.

NOTE - Secures to any surface or application: flat wall, single gang box, multi gang box.

Option 1. Flat Surface Installation

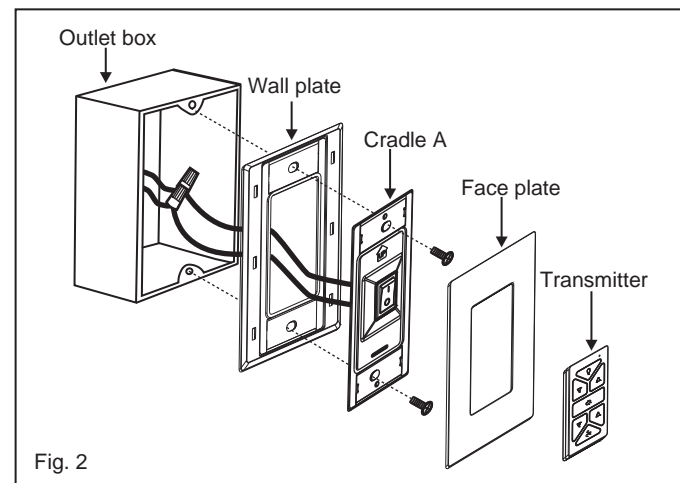
- 1 Select a desired location. Use the wall plate to mark the location of the mounting holes. Plastic wall anchors or mounting screws are needed for this application. (Fig. 1)
- 2 Seat the cradle B into the wall plate. Secure the wall plate to the wall using the provided hardware.
- 3 Snap the face plate cover onto the wall bracket.
- 4 Remote transmitter will be held in place with built in magnets.



HIRO HIRO Control System

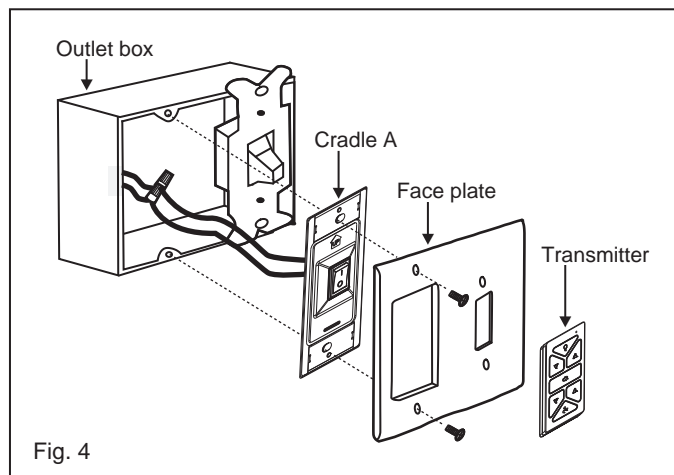
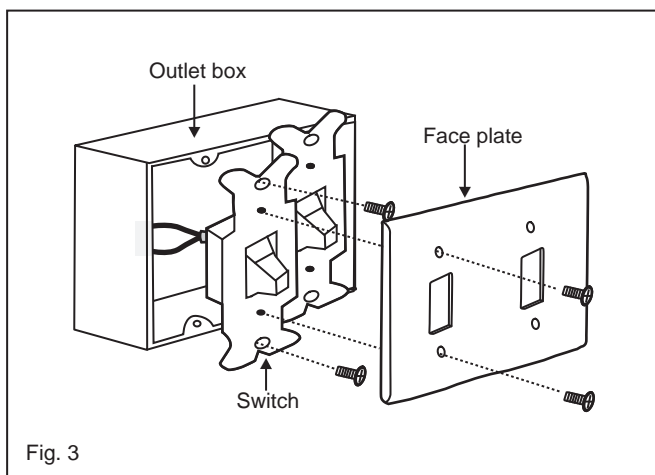
Option 2. For single gang box

- 1 Remove the existing wall plate and the old switch from the wall outlet box.
- 2 Seat the cradle A into the wall plate. (Fig. 2)
- 3 Connect the black lead wires from the switch in the cradle A to the black wires in the switch box. Hot input wire to one of the cradle A switch leads. Power lead to the fan is connected to the remaining switch lead.
- 4 Connect the wall plate / cradle A assembly to the wall outlet box using the supplied hardware.
- 5 Snap the face plate cover onto the wall bracket.
- 6 Remote transmitter will be held in place with built in magnets.



Option 3. Multi Gang Wall Switch Box Installation

- 1 Remove the existing wall plate and old switch from the wall outlet box. (Fig. 3)
- 2 Connect the black lead wires from the switch in the cradle A to the black wires in the switch box. Hot input wire to one of the cradle switch leads. Power lead to the fan is connected to the remaining switch lead. (Fig. 4)
- 3 Attach the cradle A to the wall switch box using the supplied hardware.
- 4 Attach the multi-gang faceplate to the switch set in the wall outlet box. Cradle A of Hinkley switch will fit in any standard decora face plate.
- 5 Remote transmitter will be held in place with built in magnets.



 **HIRO HIRO Control System**

OPERATION

Your DC brushless motor is equipped with an automatically learned type remote control. There is no frequency switches on the receiver or transmitter. The fan can start to use once the pairing process is done.

Remove the panel from the transmitter and then install one 2032 battery (included). You need to use a coin to open or close the battery cover. To prevent damage to transmitter, remove the battery if not use for long periods of time (Fig. 1)



WARNING: Chemical Burn Hazard.
Keep batteries away from children.

This product contains a lithium button/coin cell battery. If a new or used lithium button/coin cell battery is swallowed or enters the body, it can cause severe internal burns and can lead to death in as little as 2 hours. Always completely secure the battery compartment. If the battery compartment does not close securely, stop using the product, remove the batteries, and keep it away from children. IF you think batteries might have been swallowed or placed inside any part of the body, seek immediate medical attention.

The batteries shall be disposed of properly, including keeping them away from children; Even used cells may cause injury.

- 1 button: Press this button and release instantly to turn on or off the light.
- 2 button: Press and hold to dim or brighten lights to the desired level and release.
- 3 button: Press this button to set fan wind direction up or down.
- 4 button: Press button for turn on and setting 1-6 fan speed.
- 5 button: Press this button to turn the fan off.
- 6 Signal light (Fig. 2)

Pairing Process

NOTE: If installing/pairing more than one fan in an area, the power must be disconnected from all fans except the one fan being paired.

With the fan's power off, restore power to the fan. Press and hold "" button for about 5 seconds and release. If optional light kit is installed, the light kit will flash three times and the motor spin up for 10 seconds on low speed. The fan has completed the pairing process with the wall control and is ready for use.

NOTE: A single fan can be controlled with as many as 3 wall controls in one room. Every control will need to repeat the pairing process based on instructions above and all controls must be within 30 feet of the fan.

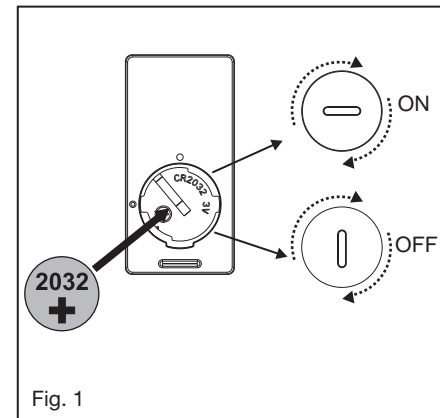


Fig. 1

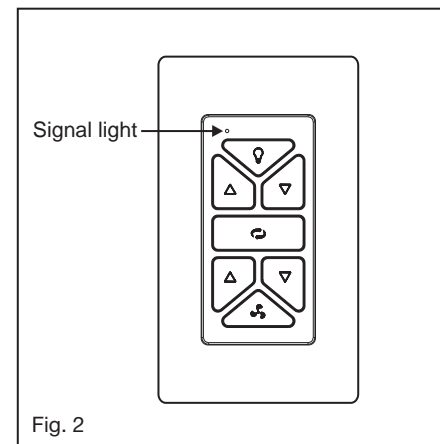
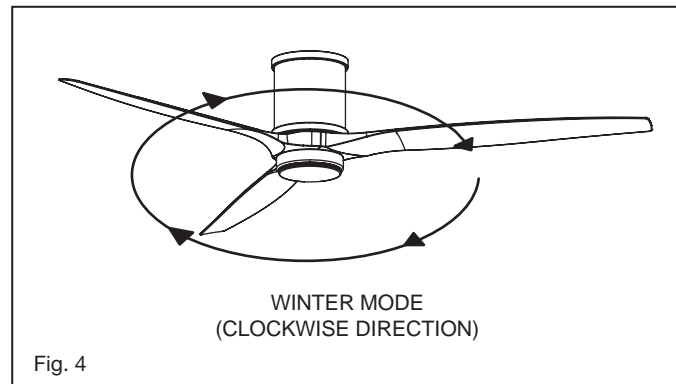
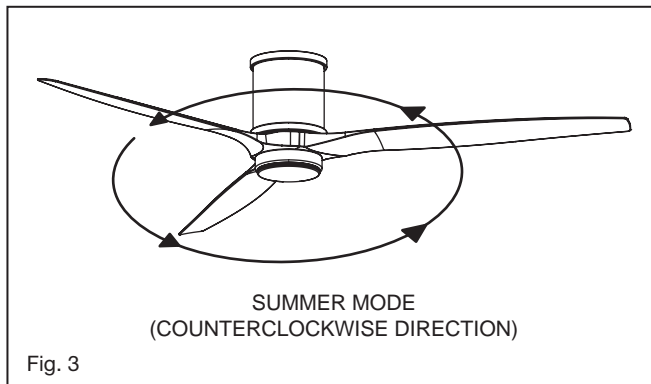


Fig. 2

HIRO HIRO Control System

Summer Mode and Winter Mode Operation

- 7 Summer Mode (forward):
A DOWNWARD airflow creates a cooling effect as shown in Figure 3. This allows you to set your air conditioner on a warmer setting without affecting your comfort.
- 8 Winter Mode (Reverse):
An UPWARD airflow moves warmer air off the ceiling area as shown in Figure 4. This allows you to set your heating unit on a cooler setting without affecting your comfort.



CARE AND CLEANING

Periodically it may be necessary to re-tighten blade to blade arm screws or blade arm to motor screws to prevent clicking or humming sound during operation. This is especially true in climates with broad temperature and humidity ranges.

When dusting the blades, you must support the blade to prevent bending - no pressure should be applied to the blades. If you experience any flaws in the operation of your fan, please check the following points.

TROUBLESHOOTING

CAUTION:

Switch off power supply before carrying out any of these checks.

SOLUTION

FAN WILL NOT START

1. Check circuit fuses or breakers.
2. Check wall control LED indicator light. If LED is not illuminated when pushing a button, it is not transmitting a signal. Please check power to wall control/circuit breaker and all electrical connections.
3. Assure there are no more than 2 fans operating on a circuit through the wall control. Assure that there are no more than 12 fans operating on a circuit through an on/off wall switch or a breaker (not through a wall control).
4. Assure that the fan is within range of the WiFi (150 ft.) or wall control (30 ft.).

FAN SOUNDS NOISY

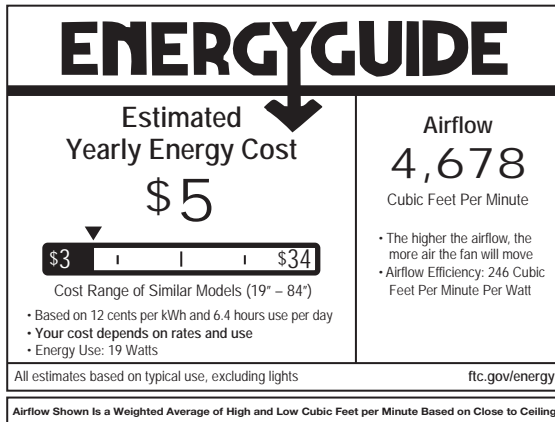
1. Allow a 24-hour "breaking-in" period. Most noise associated with a new fan will disappear during this time.
2. Make sure all motor housing screws are securely fastened.
3. Make sure the screws that attach the fan blade to the fan are tight.
4. Make sure your ceiling box is secure and rubber isolator pads are used between the mounting bracket and outlet box.

FAN WOBBLER

1. Check that all blade and blade arm screws are secure.
2. If the blade wobble is still noticeable, interchanging two adjacent (side by side) blades can redistribute the weight and possibly result in smoother operation.
3. Check to assure all dowrods to motor hardware and/or hanger ball are tight.
4. Make sure ceiling box is secure.

ENERGY GUIDE

AVERAGE PERFORMANCE AND ENERGY INFORMATION



SPECIFICATIONS

PERFORMANCE SPECIFICATIONS	STANDARD	
	HIGH SPEED	LOW SPEED
Airflow (CFM)	7515	1462
Energy Use (Watts)	27.1	2.0
Airflow Efficiency (CFM/W)	277	731
Energy Costs (Yearly)	\$5	\$1
Amps	0.37	0.04
RPMs	119	28

DOWNLOADING THE HINKLEY APP

HINKLEY SMART FAN OPTIONS:

In addition to the included wall control, you can control your Hinkley fan through the Hinkley app.

- To use the Hinkley app, download it for free from the App Store or Google Play.
- Open the Hinkley app where you will be prompted to create an account.
- Enter all necessary information to create an account.
- After account is created you will receive a verification code email to finish setting up the Hinkley app (Check spam folder if email is not received).
- Confirm Bluetooth is enabled to allow the fan and Hinkley app to connect to each other.
- Click add a device on the home screen and select desired fan.
- The Hinkley app will then have you enter in WiFi name and password.
- Click done on the Hinkley app to complete connecting the fan.
- The Hinkley app will have options on the main screen for fan speeds, dimming and setting timers.
- Scan the QR code below for more information on the Hinkley app operation.



SCAN FOR ADDITIONAL DETAILS

HINKLEY IS PROUD TO PROVIDE YOU WITH CEILING FAN PRODUCTS THAT ENHANCE YOUR SPACE WITH COMFORT, PURPOSE AND STYLE. AS A FAMILY COMPANY, WE ARE COMMITTED TO DESIGN, PERFORMANCE AND QUALITY, AND WHAT'S IMPORTANT TO YOU IS PARAMOUNT TO US.

FOR A COMPLETE ASSORTMENT OF OUR PRODUCTS AND SOURCE BOOKS, VISIT HINKLEY.COM.

HINKLEY

GLOBAL HEADQUARTERS

33000 Pin Oak Parkway | Avon Lake, Ohio 44012

T (440) 653 5500 | F (440) 653 5555 | hinkley.com

HINKLEY

72" HOVER FLUSH™

VENTILADOR LED INTERIOR / EXTERIOR



WET



DC MOTOR



LED



CERTIFIED



WIFI



HIRO

MANUAL DE
INSTRUCCIONES DEL
VENTILADOR DE TECHO

QUEREMOS QUE AMES A TU NUEVO VENTILADOR

ASÍ QUE ESTAMOS AQUÍ SI TIENE UNA PREGUNTA, NECESITA AYUDA O QUIERE HABLAR SOBRE NUESTROS PRODUCTOS. ENVÍE SUGERENCIAS NUESTRO CAMINO TAMBIÉN: SIEMPRE ESTAMOS BUSCANDO HACER QUE SU EXPERIENCIA CON HINKLEY SEA POSITIVA.

> SERVICE@HINKLEY.COM

> [800.HINKLEY](tel:800.HINKLEY)

> **VAMOS A ESE ESTILO**
[HINKLEY@HINKLEY](https://www.hinkley.com) [#HINKLEYSTYLE](https://www.hinkley.com)

Este manual contiene instrucciones completas para la instalación y operación de este ventilador. Ha sido diseñado para hacer que el proceso de instalación sea lo más fácil posible. Si no está familiarizado o no se siente cómodo con el cableado, comuníquese con un electricista calificado. Si necesita asistencia adicional o tiene alguna pregunta, comuníquese con nosotros.

Para obtener información sobre la garantía, visite [hinkley.com](https://www.hinkley.com).

TABLA DE CONTENIDO

02	INSTRUCCIONES GENERALES DE INSTALACIÓN Y FUNCIONAMIENTO	09	INSTALACIÓN DE LA PLACA ADAPTADORA
03	PRECAUCIONES DE SEGURIDAD IMPORTANTES	10	INSTALACIÓN DEL CONJUNTO DEL LED Y LA PANTALLA DE VIDRIO
03	HERRAMIENTAS Y MATERIALES REQUERIDOS	12	INSTALACIÓN DEL CONTROL DE PARED
04	DESEMBALAJE DE SU VENTILADOR	13	OPERACIÓN
05	PREPARACIÓN	15	CUIDADO Y LIMPIEZA
05	INSTALACIÓN DEL SOPORTE COLGANTE	15	SOLUCIÓN DE PROBLEMAS
06	CÓMO COLGAR EL VENTILADOR	16	GUÍA ENERGÉTICA
07	CONEXIONES ELÉCTRICAS	16	ESPECIFICACIONES
08	FINALIZANDO LA INSTALACIÓN	17	DESCARGA DE LA APLICACIÓN HINKLEY
09	INSTALACIÓN DE LAS CUCHILLAS		

ADVERTENCIA:

Lea y siga estas instrucciones atentamente y tenga en cuenta todas las advertencias que se muestran a lo largo.

INSTRUCCIONES GENERALES DE INSTALACIÓN Y FUNCIONAMIENTO

- 1 Para garantizar el éxito de la instalación, asegúrese de leer las instrucciones y revisar los diagramas detenidamente antes de comenzar.
- 2 Para evitar posibles descargas eléctricas, asegúrese de que la electricidad esté apagada en la caja de alimentación principal antes de realizar el cableado. Todas las conexiones eléctricas deben realizarse de acuerdo con los códigos y ordenanzas locales y/o el Código Eléctrico Nacional. Si no está familiarizado con los métodos de instalación de cableado y productos eléctricos, contrate los servicios de un electricista calificado y con licencia, así como de alguien que pueda verificar la resistencia de los miembros del techo de soporte y realizar las instalaciones y conexiones adecuadas.
- 3 **ADVERTENCIA:** Para reducir el riesgo de incendio, descarga eléctrica u otras lesiones personales, monte el ventilador solo en una caja de salida o sistema de soporte marcado como aceptable para soporte de ventilador de 35 lb (15,9 kg) o menos y use los tornillos de montaje provistos con la caja de salida. La mayoría de las cajas de salida comúnmente utilizadas para el soporte de los accesorios de iluminación no son aceptables para el soporte del ventilador y es posible que deban reemplazarse. Consulte a un electricista calificado si tiene dudas.
- 4 Asegúrese de que su sitio de instalación no permita que las aspas giratorias del ventilador entren en contacto con ningún objeto. Las hojas deben estar al menos a 7 pies del piso.
- 5 Las aspas deben colocarse después de que la carcasa del motor esté colgada y en su lugar. La carcasa del motor del ventilador debe guardarse en la caja hasta que esté lista para instalarse para proteger su acabado. Si está instalando más de un ventilador de techo, asegúrese de no mezclar los conjuntos de aspas del ventilador, ya que cada aspa es parte de un conjunto ponderado.
- 6 Después de hacer las conexiones eléctricas, los conductores empalmados deben girarse hacia arriba y empujarse con cuidado hacia la caja de salida. Los cables deben separarse con el conductor común y el conductor de puesta a tierra en un lado de la caja de salida, y los cables "VIVOS" en el otro lado.
- 7 Los diagramas eléctricos son solo para referencia. Los juegos de luces que no están empacados con el ventilador deben estar listados por UL y deben instalarse según las instrucciones de instalación del juego de luces.
- 8 Una vez que el ventilador esté completamente instalado, verifique que todas las conexiones estén seguras para evitar que el ventilador se caiga y/o cause daños o lesiones.
- 9 Se puede hacer que el ventilador funcione inmediatamente después de la instalación: los cojinetes se cargan adecuadamente con grasa de modo que, en condiciones normales, no debería ser necesaria una lubricación adicional durante la vida útil del ventilador.
- 10 Para operar la función de retroceso en este ventilador, presione el botón de retroceso mientras el ventilador está funcionando.
- 11 **PRECAUCIÓN:** No ingiera la batería: peligro de quemaduras químicas. Mantenga las baterías nuevas y usadas fuera del alcance de los niños.
- 12 El control remoto se suministra con una pila tipo moneda/botón. Si se traga la batería de tipo moneda/botón, puede causar quemaduras internas graves en solo 2 horas y provocar la muerte.
- 13 Si el compartimiento de la batería no cierra de forma segura, deje de usar el producto y manténgalo fuera del alcance de los niños.
- 14 Si cree que las pilas pueden haberse tragado o colocado dentro de cualquier parte del cuerpo, busque atención médica de inmediato.

PRECAUCIONES DE SEGURIDAD IMPORTANTES

ADVERTENCIAS:

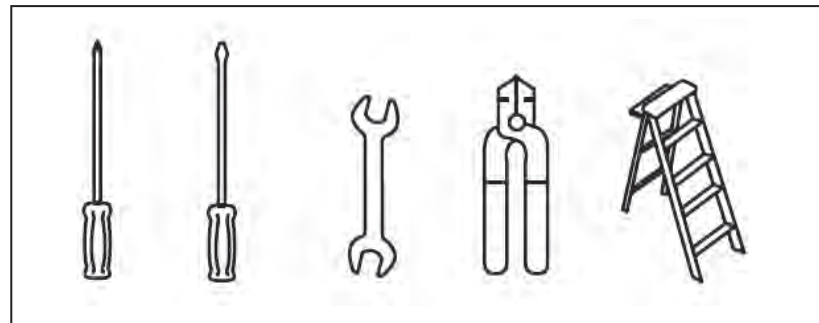
- Desconecte la energía quitando el fusible o apagando el disyuntor antes de instalar el ventilador y/o la iluminación opcional.
- Apoyo directo desde la estructura del edificio.
- Para reducir el riesgo de incendio, descarga eléctrica o lesiones personales, monte en la caja de salida marcada como "aceptable para soporte de ventilador" y use los tornillos de montaje provistos con la caja de salida. La mayoría de las cajas de salida comúnmente utilizadas para el soporte de los artefactos de iluminación no son aceptables para el soporte de los ventiladores y es posible que deban
- No utilice un atenuador de luz incandescente. No utilice este ventilador con ningún dispositivo de control de velocidad del ventilador de tipo transformador.
- Para reducir el riesgo de lesiones personales, no doble los brazos de las aspas al instalarlos, equilibrar las aspas o limpiar el ventilador. No inserte ningún objeto entre las aspas giratorias del ventilador.

NOTA:

Las precauciones, medidas de seguridad e instrucciones importantes que aparecen en este manual no pretenden cubrir todas las condiciones y situaciones posibles que pueden ocurrir. Debe entenderse que el sentido común, la precaución y el cuidado son factores que no pueden integrarse en este producto. Estos factores deben ser proporcionados por la(s) persona(s) que instalan, cuidan y operan la unidad.

HERRAMIENTAS Y MATERIALES REQUERIDOS

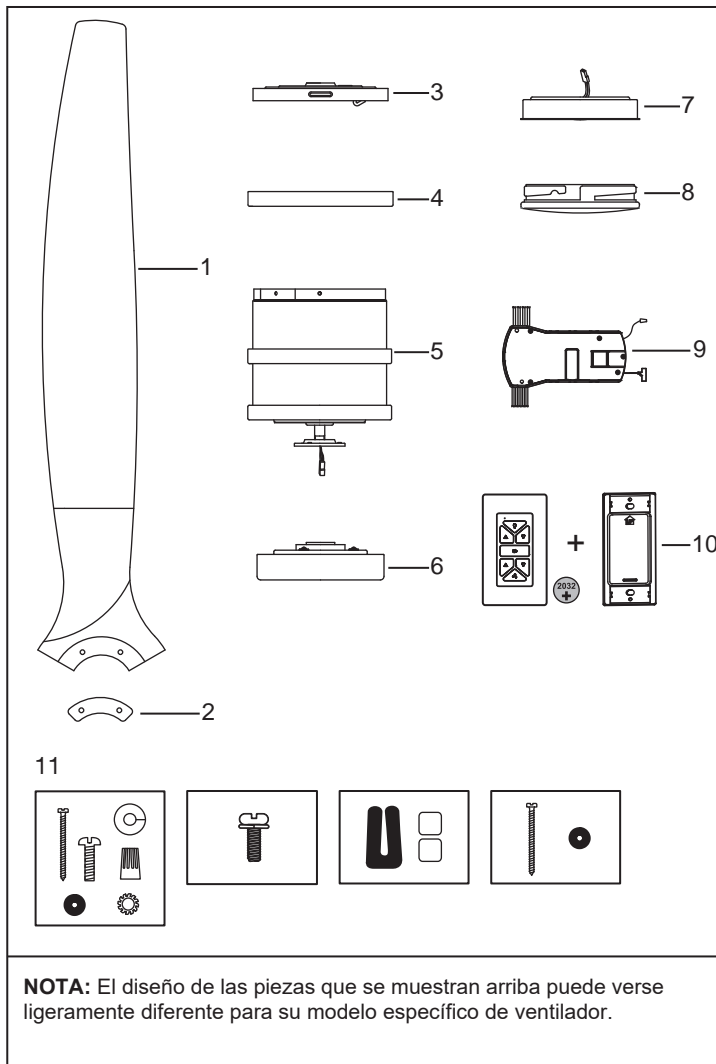
- DESTORNILLADOR PHILLIPS
- DESTORNILLADOR PLANO
- LLAVE O ALICATES
- CORTADOR DE CABLES
- ESCALERA DE TIJERA
- SUMINISTROS DE CABLEADO SEGÚN LO REQUIERE EL CÓDIGO ELÉCTRICO



DESEMBALAJE DE SU VENTILADOR

DESEMPAQUE SU VENTILADOR Y COMPRUEBE EL CONTENIDO.

- No deseche el cartón. Si alguna vez es necesario reemplazar o reparar la garantía, el ventilador debe devolverse en el embalaje original. Retire todas las piezas y herrajes. No coloque la carcasa del motor de costado, ya que la carcasa decorativa podría moverse, doblarse o dañarse.
- Examine todas las piezas. Deberías tener lo siguiente:



HOVER FLUSH CONTENIDO DEL PAQUETE

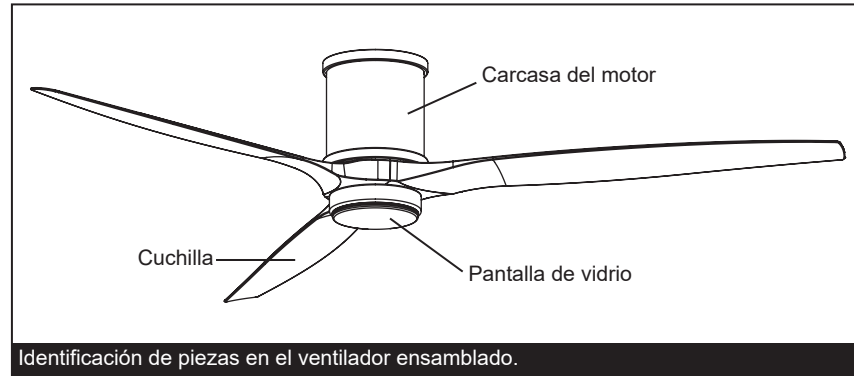
1	Juego de cuchillas de 3	BL900872Fxx
2	Placas de soporte de la hoja	In Hardware Bag
3	Soporte de montaje	x
4	Anillo decorativo	RG900872Fxx
5	Carcasa de ventilador con motor *Retire los soportes de envío de goma alrededor del motor, si corresponde. Guarde los tornillos.	x
6	Placa adaptadora	AP900852Fxx
7	Ensamblaje LED de 16W	E900852LED
8	Pantalla de vidrio	GL900852ETCH
9	Receptor (preinstalado)	CNW900872
10	HIRO Control de pared con batería 2032, Cuna A, placa de pared, placa frontal, 2 tornillos de montaje, Cuna B (solo para uso en paredes planas)	980014FWH-R
11	Bolsa de ferretería	
	Hardware de montaje del soporte (tornillos para madera, tornillos, arandelas de seguridad, arandelas de estrella, arandelas planas, tuercas para alambre), tornillos de hoja a motor con arandelas de seguridad, equipo de equilibrio, Herrajes para cables de seguridad (tornillo para madera, arandela plana)	MH900872Fxx
XX=ACABADO EN VENTILADOR		

PREPARACIÓN

PREPARACIÓN:

Verifique que tenga todas las piezas antes de comenzar la instalación. Revise detenidamente el inserto de espuma para ver si faltan piezas. Saque el motor del empaque. Para evitar dañar el acabado, ensamble el motor sobre una superficie suave y acolchada o use la pieza interior de espuma original en la caja del motor.

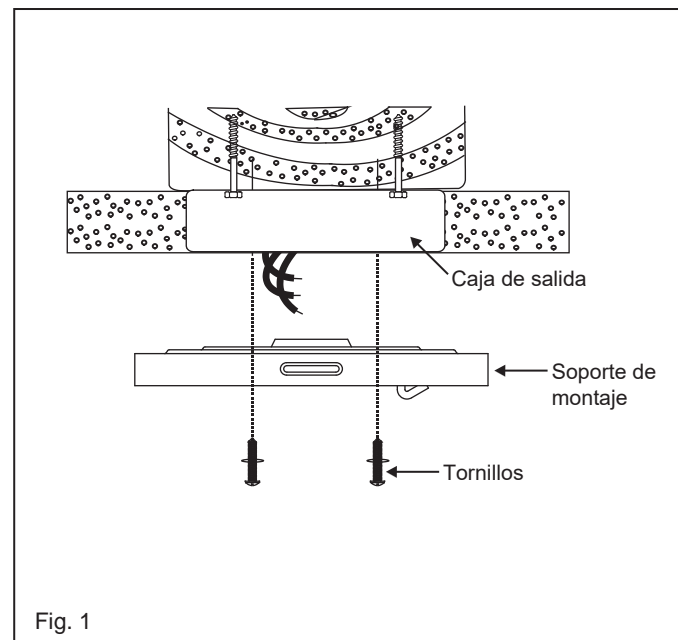
NO COLOQUE LA CARCASA DEL MOTOR DE LADO YA QUE ESTO PODRÍA RESULTAR EN EL DESPLAZAMIENTO DEL MOTOR EN LA CAJA DECORATIVA.



INSTALACIÓN DEL SOPORTE COLGANTE

PRECAUCIÓN: Para evitar posibles descargas eléctricas, asegúrese de que la electricidad esté apagada en la caja de alimentación principal antes de realizar el cableado. Todo el cableado debe estar de acuerdo con los Códigos Eléctricos Nacionales y Locales y el ventilador de techo debe estar conectado a tierra como precaución contra posibles descargas eléctricas.

- 1 Ubique la viga del techo donde se montará el ventilador, asegurándose de que la ubicación cumpla con los requisitos de la sección de espacio libre mínimo de esta guía. Las vigas de madera deben ser sólidas y del tamaño adecuado para soportar 35 libras (consulte la página 2, artículos 3 y 4).
- 2 Si aún no está presente, monte una caja de salida listada por UL marcada como "adecuada para soporte de ventilador" siguiendo las instrucciones provistas con la caja de salida. La caja de salida debe poder soportar un mínimo de 35 libras.
- 3 Fije el soporte para colgar a la caja de salida con los tornillos provistos con la caja de salida.

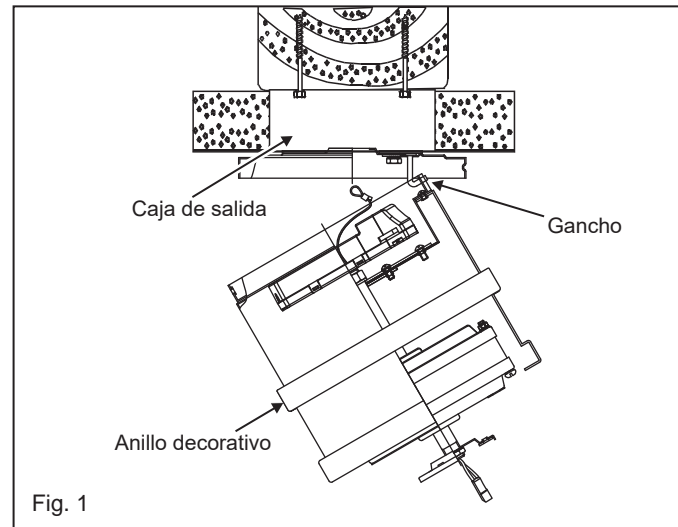


CÓMO COLGAR EL VENTILADOR

RECUERDE apagar la corriente. Siga los pasos a continuación para colgar su ventilador correctamente.

Coloque el anillo decorativo en la carcasa del motor.

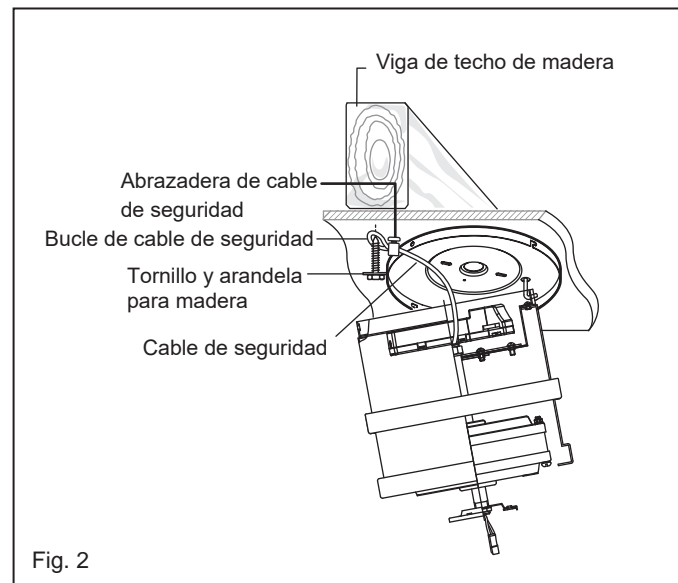
Levante con cuidado el ensamblaje del motor del ventilador (sin las aspas) a su posición colgando el ensamblaje del motor en el gancho de la placa adaptadora del techo, dejándolo colgar libremente. (Figura 1))



INSTALACIÓN DE SOPORTE DE CABLE DE SEGURIDAD

Fije el tornillo para madera y la arandela plana a la viga del techo como se muestra (no apriete completamente). Deslice la abrazadera del cable en el cable de seguridad del ventilador. Pase el cable de seguridad alrededor del tornillo para madera que acaba de colocar en la viga del techo. Introduzca el extremo del cable en la abrazadera y tire de la mayor cantidad de cable posible. Apriete firmemente el tornillo en la abrazadera. Corte el exceso de cable. (Figura 2)

Ahora está listo para hacer las conexiones eléctricas.



CONEXIONES ELÉCTRICAS

RECUERDA - ¡Apaga la energía! **NOTA:** el control debe instalarse a menos de 30 pies del ventilador.

ADVERTENCIAS: Verifique que todas las conexiones estén apretadas, incluida la conexión a tierra, y que no se vea ningún cable desnudo en las tuercas para cables, excepto el cable a tierra.

PRECAUCIÓN: Para reducir el riesgo de descarga eléctrica, este ventilador debe instalarse con un interruptor/control de pared aislador.

- Para obtener el mejor rendimiento, asegúrese de que la antena negra y la antena WIFI, en el extremo del receptor, permanezcan extendidas y sin enredarse con ninguno de los cables eléctricos.
- Realice las conexiones de cables desde el ventilador hasta la unidad receptora. Para este paso utilice el haz de 5 cables del receptor. (Figura 1)
 Conecte el cable AMARILLO del ventilador al cable AMARILLO del receptor. Conecte el cable GRIS del ventilador al cable GRIS del receptor. Conecte el cable neutral ROJO del ventilador al cable neutral ROJO del receptor.
 Conecte el cable BLANCO del kit de luz neutra del ventilador al cable BLANCO del receptor marcado como "For Light".
 Conecte el cable NEGRO del juego de luces del ventilador al cable AZUL del receptor marcado como "For Light".
 Los colores de los cables que salen del ventilador son blanco y negro para el juego de luces. Los cables del juego de luces del controlador/receptor son azules/blancos.
- Conecte el cableado del techo a la unidad receptora. (Use el paquete de 2 cables en el receptor). Asegúrelo con las tuercas para cables provistas. Conecte el cable NEGRO de suministro del edificio al cable NEGRO del receptor.
 Conecte el cable neutro del receptor BLANCO al cable neutro del edificio BLANCO.
 Conecte el cable de tierra del edificio de COBRE a los 4 cables de tierra AMARILLOS/VERDES del ventilador y el receptor.

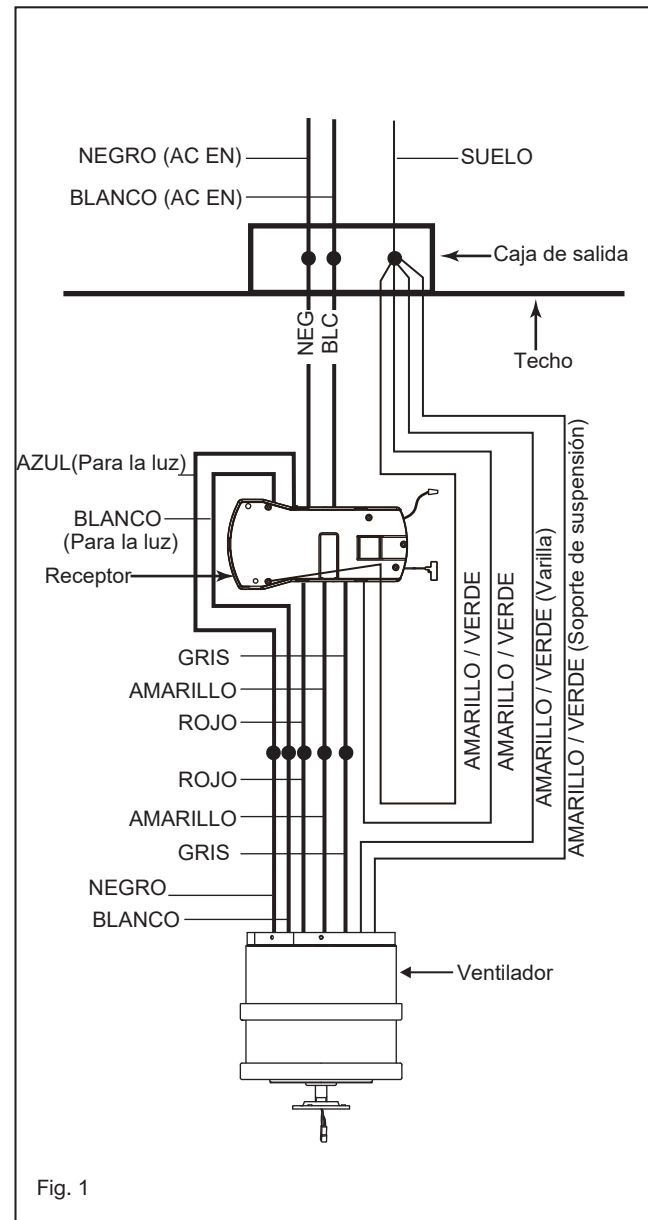
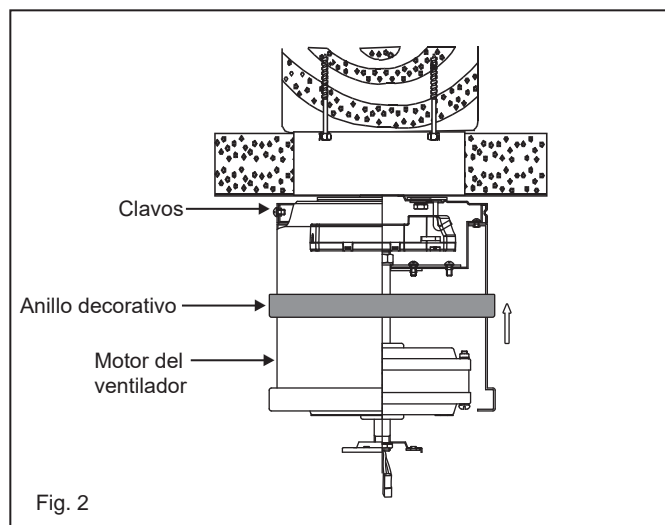
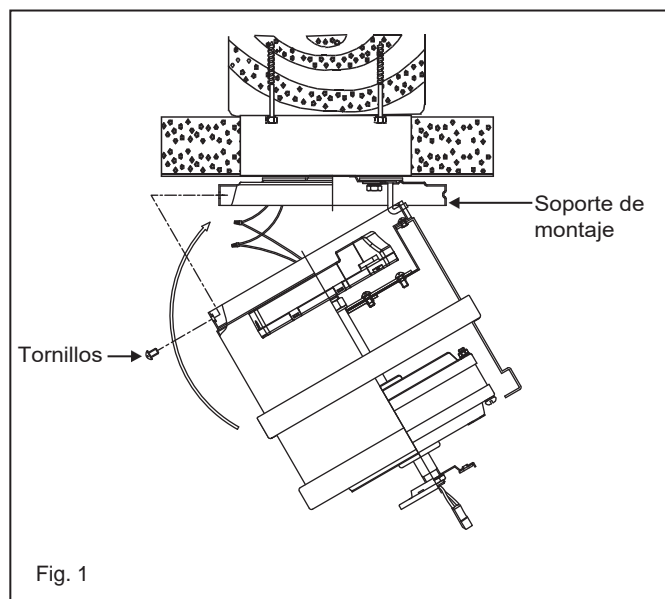


Fig. 1

FINALIZANDO LA INSTALACIÓN

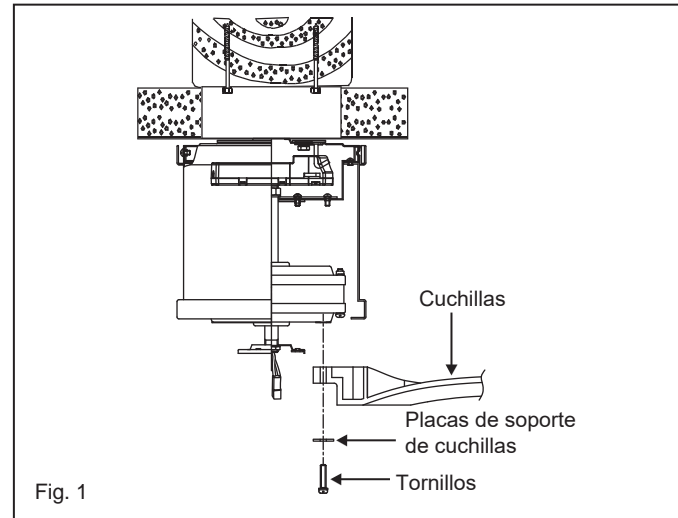
- 1 Mueva el ventilador a su posición sobre el soporte de montaje y asegúrelo con los 4 tornillos provistos. (Figura 1)
- 2 Levante el anillo decorativo y alinee las 4 ranuras del motor del ventilador con las 4 lengüetas del anillo decorativo. Una vez alineados, desliza el anillo decorativo y asegúralo a la parte superior del motor del ventilador hasta que quede ajustado. (Figura 2)



INSTALACIÓN DE LAS CUCHILLAS

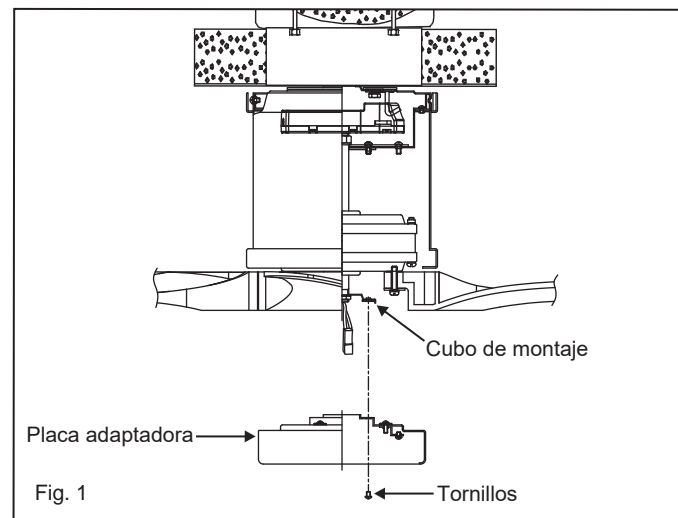
ADVERTENCIA: Para reducir el riesgo de lesiones personales, no doble las aspas mientras instala, equilibra las aspas o limpia el ventilador.

- 1 Sujete el asa al motor con las placas y los tornillos de soporte del asa proporcionados. Repita el procedimiento para las hojas restantes. ¡Asegúrese de que los tornillos estén APRETADOS! Los tornillos del motor sueltos pueden contribuir a un zumbido innecesario durante el funcionamiento.



INSTALACIÓN DE LA PLACA ADAPTADORA

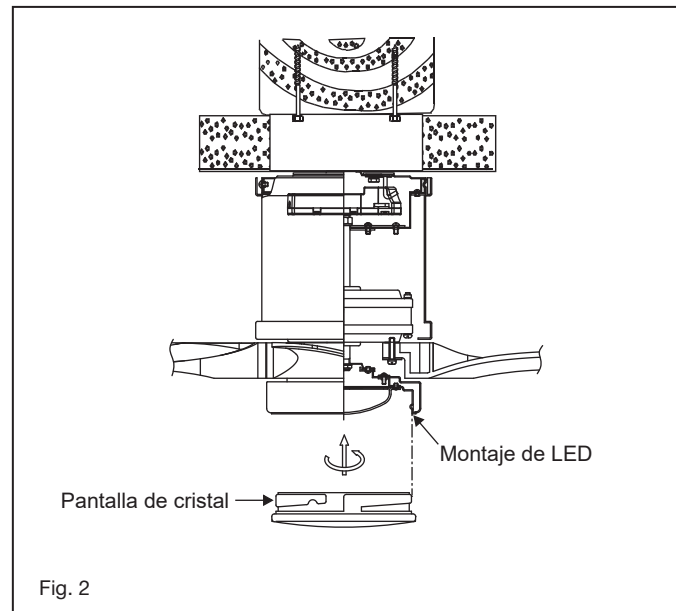
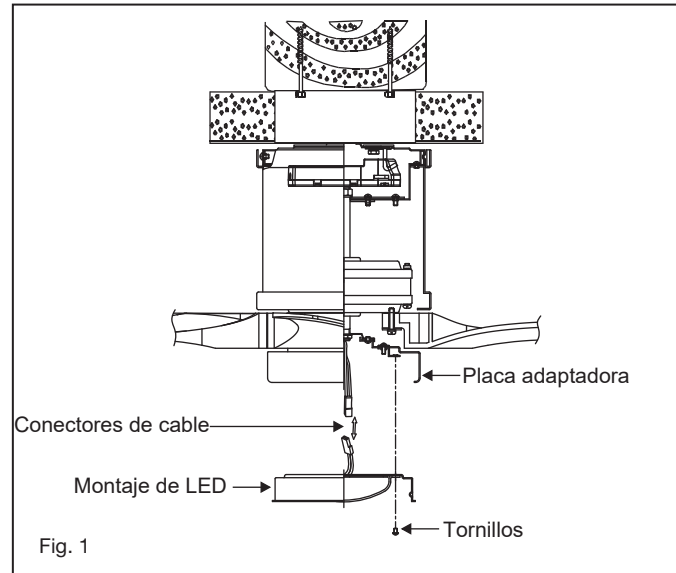
- 1 Retire uno de los tres tornillos en el cubo de montaje ubicado en el motor del ventilador.
- 2 Afloje los otros dos tornillos.
- 3 Instale la placa adaptadora en el cubo de montaje.
- 4 Alinee los dos orificios ranurados con los dos tornillos sueltos en el cubo de montaje ubicado en el motor del ventilador.
- 5 Vuelva a instalar el tercer tornillo retirado y apriete los tres.



INSTALACIÓN DEL CONJUNTO DEL LED Y LA PANTALLA DE VIDRIO

ADVERTENCIA: Antes de comenzar la instalación, desconecte la alimentación apagando el disyuntor o quitando el fusible de la caja de fusibles. Apagar la alimentación con el interruptor del ventilador no es suficiente para evitar descargas eléctricas.

- 1 Quite el 1 de los 3 tornillos de los postes de la carcasa decorativa del conjunto LED y guárdelo para uso futuro. Afloje los otros 2 tornillos. (No quitar)
- 2 Mientras sostiene el conjunto de LED debajo de su ventilador, haga las conexiones del enchufe polarizado: (Fig. 2)
 - Rojo a blanco
 - Negro a negro
- 3 Coloque los agujeros en forma de llave en el conjunto de LED sobre los 2 tornillos que aflojó anteriormente, gire la placa de luz hasta que encaje en su lugar en la sección estrecha de los agujeros en forma de llave. Asegúrelo apretando los 2 tornillos que aflojó anteriormente y el que retiró anteriormente. (Figura 1)
- 4 Levante la pantalla de vidrio contra la placa adaptadora y asegúrela al ventilador girando la pantalla de vidrio en el sentido de las agujas del reloj hasta que quede ajustada. NO APRIETE DEMASIADO.
- 5 Restaure la energía y su juego de luces estará listo para funcionar.



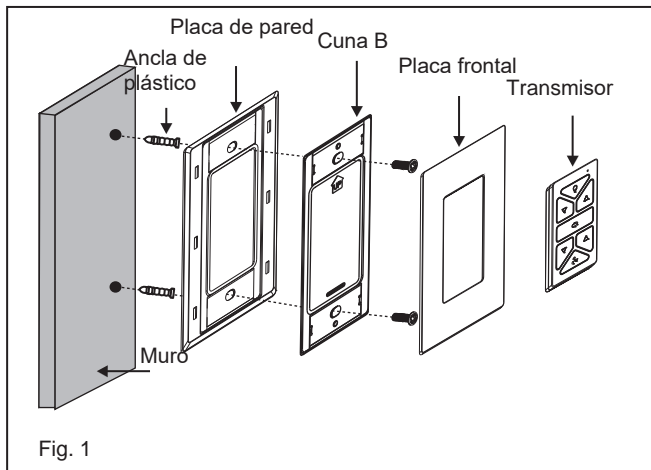
INSTALACIÓN DEL CONTROL DE PARED

RECUERDE apagar la alimentación antes de comenzar.

NOTA: Se fija a cualquier superficie o aplicación: pared plana, caja de conexiones sencillas, caja de conexiones múltiples.

Opción 1. Instalación en superficie plana

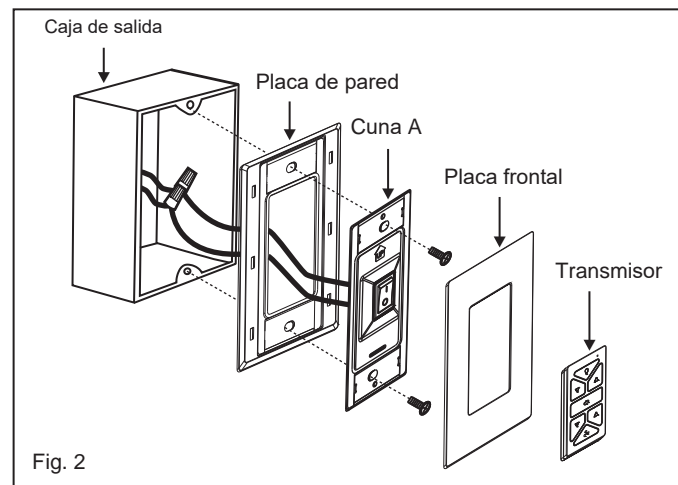
- 1 Seleccione una ubicación deseada. Utilice la placa de pared para marcar la ubicación de los orificios de montaje. Para esta aplicación se necesitan anclajes de pared de plástico o tornillos de montaje. (Figura 1)
- 2 Asiente la cuna B en la placa de pared. Asegure la placa de pared a la pared usando los accesorios provistos.
- 3 Encaje la cubierta de la placa frontal en el soporte de pared.
- 4 El transmisor remoto se mantendrá en su lugar con imanes incorporados.



HIROHIRO Sistema de control

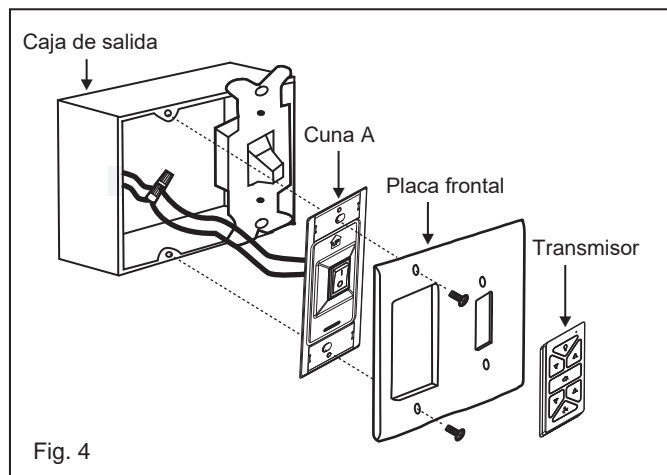
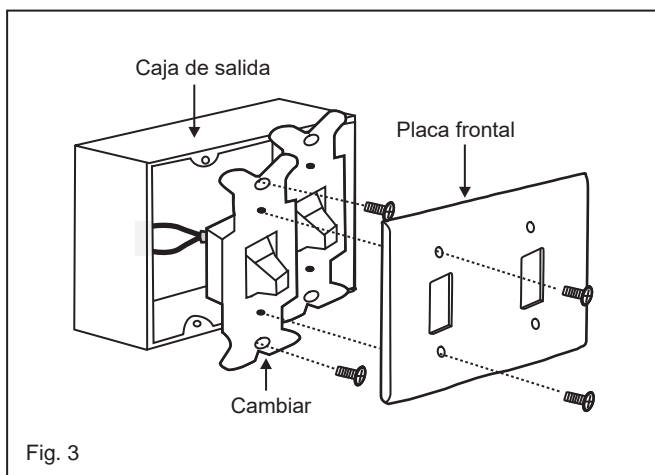
Opción 2. Para caja de banda única

- 1 Retire la placa de pared existente y el interruptor viejo de la caja de salida de la pared.
- 2 Asiente la cuna A en la placa de pared. (Figura 2)
- 3 Conecte los cables conductores negros del interruptor en la base A a los cables negros en la caja del interruptor. Cable de entrada activo a uno de los cables del interruptor de la base A. El cable de alimentación del ventilador está conectado al cable restante del interruptor.
- 4 Conecte el conjunto de placa de pared/soporte A a la caja de tomacorriente de pared utilizando los accesorios suministrados.
- 5 Encaje la cubierta de la placa frontal en el soporte de pared.
- 6 El transmisor remoto se mantendrá en su lugar con imanes incorporados.



Opción 3. Instalación de caja de interruptores de pared de varios grupos

- 1 Retire la placa de pared existente y el interruptor viejo de la caja de salida de la pared. (Fig. 3)
- 2 Conecte los cables conductores negros del interruptor en la base A a los cables negros en la caja del interruptor. Cable de entrada activo a uno de los cables del interruptor de la base. El cable de alimentación del ventilador está conectado al cable restante del interruptor. (Figura 4)
- 3 Fije la base A a la caja de interruptores de pared utilizando los accesorios suministrados.
- 4 Fije la placa frontal multidispositivo al juego de interruptores en la caja de salida de la pared. El soporte A del interruptor Hinkley encajará en cualquier placa frontal decorativa estándar.
- 5 El transmisor remoto se mantendrá en su lugar con imanes incorporados.



HIRO HIRO Sistema de control

OPERACIÓN

Su motor sin escobillas de CC está equipado con un control remoto de tipo aprendido automáticamente. No hay interruptores de frecuencia en el receptor o transmisor. El ventilador puede comenzar a usarse una vez que se realiza el proceso de emparejamiento.

Retire el panel del transmisor y luego instale una batería 2032 (incluida). Necesita usar una moneda para abrir o cerrar la tapa de la batería. Para evitar daños al transmisor, extraiga la batería si no la va a utilizar durante largos períodos de tiempo (Fig. 1)



ADVERTENCIA: Peligro de quemaduras químicas. Mantenga las pilas fuera del alcance de los niños.

Este producto contiene una batería de botón/bola de litio. Si se ingiere o entra en el cuerpo una pila de botón o de botón de litio nueva o usada, puede causar quemaduras internas graves y provocar la muerte en tan solo 2 horas. Siempre asegure completamente el compartimiento de la batería. Si el compartimiento de las pilas no cierra bien, deje de utilizar el producto, retire las pilas y manténgalo fuera del alcance de los niños. Si cree que las pilas pueden haberse tragado o colocado dentro de cualquier parte del cuerpo, busque atención médica de inmediato.

Las baterías deben desecharse de manera adecuada, incluso manteniéndolas fuera del alcance de los niños; Incluso las celdas usadas pueden causar lesiones.

- 1 botón: Presione este botón y suéltelo instantáneamente para encender o apagar la luz.
- 2 botón: Mantenga presionado para atenuar o aumentar las luces al nivel deseado y suelte.
- 3 botón: Presione este botón para configurar la dirección del viento del ventilador hacia arriba o hacia abajo.
- 4 botón: Presione el botón para encender y configurar la velocidad del ventilador de 1 a 6.
- 5 botón: Presione este botón para apagar el ventilador..
- 6 Luz de señal (Fig. 2)

NOTA: Si instala/empareja más de un ventilador en un área, se debe desconectar la alimentación de todos los ventiladores excepto del que se está emparejando.

Proceso de emparejamiento

Con el ventilador apagado, restablezca la energía al ventilador. Mantenga presionado el botón "🌀" durante aproximadamente 5 segundos y suéltelo. Si se instala un juego de luces opcional, el juego de luces parpadeará tres veces y el motor girará durante 10 segundos a baja velocidad. El ventilador completó el proceso de emparejamiento con el control de pared y está listo para usarse.

NOTA: Se puede controlar un solo ventilador con hasta 3 controles de pared en una habitación. Cada control deberá repetir el proceso de emparejamiento según las instrucciones anteriores y todos los controles deben estar dentro de los 30 pies del ventilador.

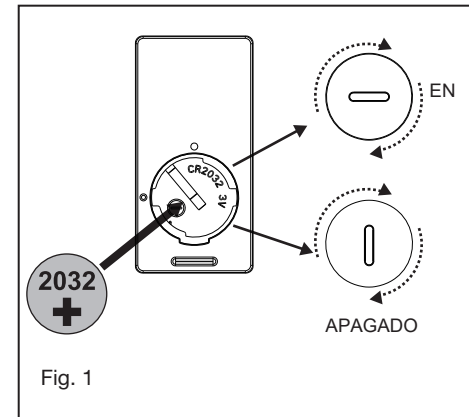


Fig. 1

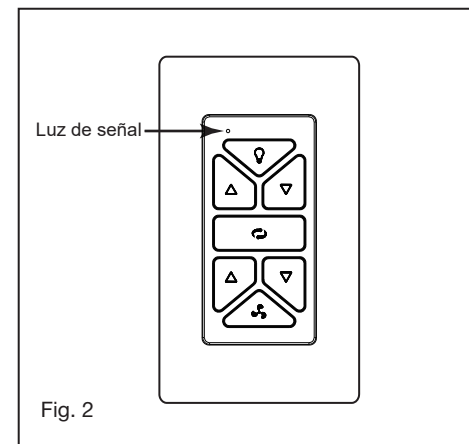
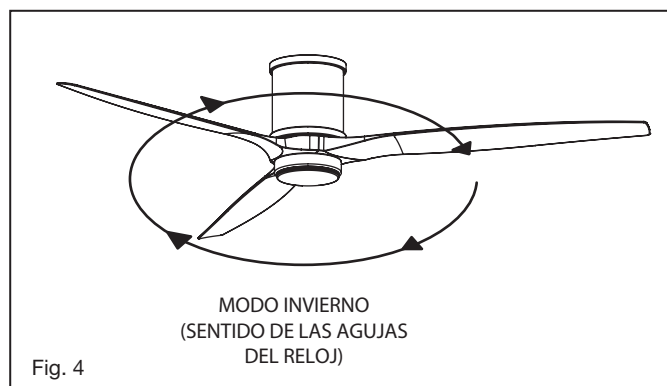
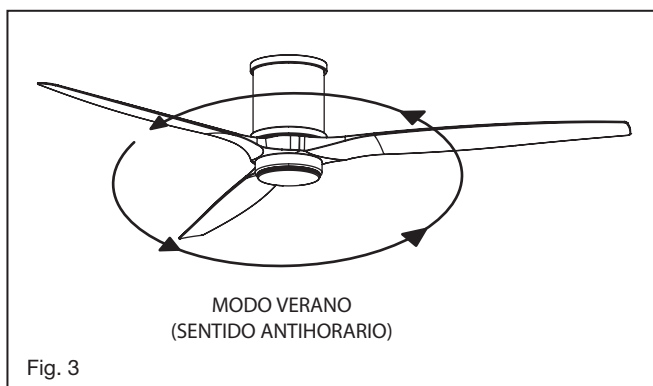


Fig. 2

HIROHIRO Sistema de control

Funcionamiento en modo verano y modo invierno

- 7 Modo Verano (adelante):
UN flujo de aire HACIA ABAJO crea un efecto de enfriamiento como se muestra en la Figura 3. Esto le permite configurar su acondicionador de aire en un ambiente más cálido sin afectar su comodidad.
- 8 Modo Invierno (Reversa):
Un flujo de aire HACIA ARRIBA mueve el aire más caliente fuera del área del techo como se muestra en la Figura 4. Esto le permite configurar su unidad de calefacción en un ambiente más frío sin afectar su comodidad.



CUIDADO Y LIMPIEZA

Periódicamente puede ser necesario volver a apretar los tornillos del brazo del aspa o del brazo del aspa al motor para evitar un chasquido o un zumbido durante el funcionamiento. Esto es especialmente cierto en climas con amplios rangos de temperatura y humedad.

Al desempolvar las hojas, debe apoyar la hoja para evitar que se doble; no se debe aplicar presión a las hojas. Si experimenta alguna falla en el funcionamiento de su ventilador, verifique los siguientes puntos..

SOLUCIÓN DE PROBLEMAS

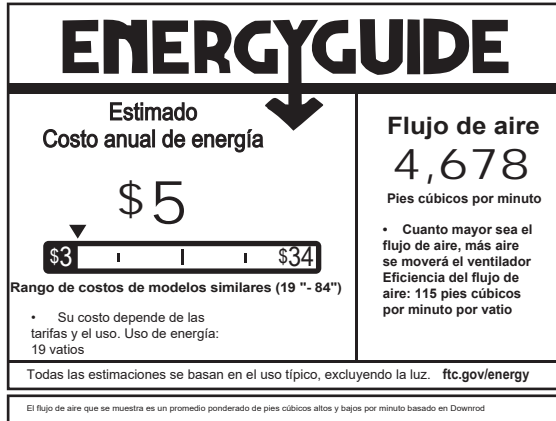
PRECAUCIÓN:

Apague la fuente de alimentación antes de realizar cualquiera de estas comprobaciones.

PROBLEMA	SOLUCIÓN
EL VENTILADOR NO ARRANCA	<ol style="list-style-type: none">1. Revise los fusibles o disyuntores del circuito.2. Verifique la luz indicadora LED del control de pared. Si el LED no se ilumina al presionar un botón, no está transmitiendo una señal. Verifique la alimentación al control de pared/disyuntor y todas las conexiones eléctricas.3. Asegúrese de que no haya más de 2 ventiladores funcionando en un circuito a través del control de pared. Asegúrese de que no haya más de 12 ventiladores funcionando en un circuito a través de un interruptor de pared de encendido/apagado o un disyuntor (no a través de un control de pared).4. Asegúrese de que el ventilador esté dentro del alcance del WiFi (150 pies) o del control de pared (30 pies).
SONIDOS DE VENTILADOR	<ol style="list-style-type: none">1. Permita un período de "asentamiento" de 24 horas. La mayor parte del ruido asociado con un ventilador nuevo desaparecerá durante este tiempo.2. Asegúrese de que todos los tornillos de la carcasa del motor estén bien apretados.3. Asegúrese de que los tornillos que sujetan el aspa del ventilador al ventilador estén apretados.4. Asegúrese de que su caja de techo esté segura y que se usen almohadillas aislantes de goma entre el soporte de montaje y la caja de salida.
EL VENTILADOR SE BALANCEA	<ol style="list-style-type: none">1. Verifique que todos los tornillos de las aspas y los brazos de las aspas estén seguros.2. Si todavía se nota el bamboleo de las hojas, intercambiar dos hojas adyacentes (lado a lado) puede redistribuir el peso y posiblemente resultar en una operación más suave.3. Verifique para asegurarse de que todas las varillas del motor y/o la bola de suspensión estén apretadas.4. Asegúrese de que la caja del techo esté segura.

GUÍA ENERGÉTICA

RENDIMIENTO MEDIO Y ENERGÍA INFORMACIÓN



ESPECIFICACIONES

ESPECIFICACIONES DE RENDIMIENTO	ESTÁNDAR	
	ALTA VELOCIDAD	BAJA VELOCIDAD
Flujo de aire (CFM)	7515	1462
Energía usada (vatios)	27.1	2.0
Eficiencia de flujo de aire (CFM/W)	277	731
Costos de energía (anual)	\$5	\$1
Amplificadores	0.37	0.04
RPMs	119	28

DESCARGA DE LA APLICACIÓN HINKLEY

OPCIONES DE VENTILADOR INTELIGENTE HINKLEY:

Además del control de pared incluido, puede controlar su ventilador Hinkley a través de la aplicación Hinkley.

- Para usar la aplicación Hinkley, descárguela gratis de App Store o Google Play.
- Abra la aplicación Hinkley donde se le pedirá que cree una cuenta.
- Ingrese toda la información necesaria para crear una cuenta.
- Después de crear la cuenta, recibirá un correo electrónico con el código de verificación para terminar de configurar la aplicación Hinkley (consulte la carpeta de correo no deseado si no se recibe el correo electrónico).
- Confirme que Bluetooth esté habilitado para permitir que el ventilador y la aplicación Hinkley se conecten entre sí.
- Haga clic en agregar un dispositivo en la pantalla de inicio y seleccione el ventilador deseado.
- La aplicación Hinkley le pedirá que ingrese el nombre y la contraseña de WiFi.
- Haga clic en Listo en la aplicación Hinkley para completar la conexión del ventilador.
- La aplicación Hinkley tendrá opciones en la pantalla principal para velocidades de ventilador, atenuación y configuración de temporizadores.
- Escanee el código QR a continuación para obtener más información sobre el funcionamiento de la aplicación Hinkley.



ESCANEAR PARA DETALLES ADICIONALES

HINKLEY SE ORGULLECE DE PROPORCIONARLE VENTILADORES DE TECHO QUE MEJORAN SU ESPACIO CON COMODIDAD, PROPÓSITO Y ESTILO. COMO EMPRESA FAMILIAR, ESTAMOS COMPROMETIDOS CON EL DISEÑO, EL RENDIMIENTO Y LA CALIDAD, Y LO QUE ES IMPORTANTE PARA USTED ES LO MÁS IMPORTANTE PARA NOSOTROS.

PARA UN SURTIDO COMPLETO DE NUESTROS PRODUCTOS Y LIBROS DE FUENTE, VISITE HINKLEY.COM.

HINKLEY

GLOBAL HEADQUARTERS

33000 Pin Oak Parkway | Avon Lake, Ohio 44012

T (440) 653 5500 | F (440) 653 5555 | hinkley.com

HINKLEY

72" HOVER FLUSH™

VENTILATEUR LED INTÉRIEUR /
EXTÉRIEUR



WET



DC MOTOR



LED



CERTIFIED



WIFI



MANUEL D'INSTRUCTIONS
DU VENTILATEUR DE
PLAFOND

NOUS VOULONS QUE VOUS AIMEZ VOTRE NOUVEAU FAN

DONC NOUS SOMMES LÀ SI VOUS AVEZ UNE QUESTION, AVEZ BESOIN D'AIDE OU VOULEZ DISCUTER DE NOS PRODUITS. ENVOYEZ-NOUS VOS SUGGESTIONS AUSSI-NOUS CHERCHONS TOUJOURS À RENDRE VOTRE EXPÉRIENCE AVEC HINKLEY POSITIVE.

> **SERVICE@HINKLEY.COM**

> **800.HINKLEY**

> **VOYONS CE STYLE HINKLEY @HINKLEY
#HINKLEYSSTYLE**

Ce manuel contient des instructions complètes pour l'installation et le fonctionnement de ce ventilateur. Il a été conçu pour rendre le processus d'installation aussi simple que possible. Si vous n'êtes pas familier ou mal à l'aise avec le câblage, veuillez contacter un électricien qualifié. Si vous avez besoin d'aide supplémentaire ou si vous avez des questions, veuillez nous contacter.

Pour plus d'informations sur la garantie, visitez hinkley.com.

TABLE DES MATIÈRES

02	INSTRUCTIONS GÉNÉRALES D'INSTALLATION ET D'UTILISATION	09	INSTALLATION DE LA PLAQUE D'ADAPTATION
03	MESURES DE SÉCURITÉ IMPORTANTES	10	INSTALLATION DE L'ENSEMBLE LED ET DE L'ABAT-JOUR EN VERRE
03	OUTILS ET MATÉRIAUX NÉCESSAIRES	12	INSTALLATION DE LA COMMANDE MURALE
04	DÉBALLAGE DE VOTRE VENTILATEUR	13	OPÉRATION
05	PRÉPARATION	15	ENTRETIEN ET NETTOYAGE
05	INSTALLATION DU SUPPORT DE SUSPENSION	15	DÉPANNAGE
06	SUSPENDRE LE VENTILATEUR	16	GUIDE ÉNERGIE
07	CONNECTIONS ELECTRIQUES	16	CARACTÉRISTIQUES
08	FIN DE L'INSTALLATION	17	TÉLÉCHARGEMENT DE L'APPLICATION HINKLEY
09	INSTALLATION DES LAMES		

AVERTISSEMENT:

Lisez et suivez attentivement ces instructions et tenez compte de tous les avertissements indiqués tout au long.

INSTRUCTIONS GÉNÉRALES D'INSTALLATION ET D'UTILISATION

- 1 Pour assurer le succès de l'installation, assurez-vous de lire les instructions et de revoir attentivement les schémas avant de commencer.
- 2 Pour éviter tout risque d'électrocution, assurez-vous que l'électricité est coupée au niveau du boîtier d'alimentation principal avant le câblage. Toutes les connexions électriques doivent être effectuées conformément aux codes locaux, aux ordonnances et/ou au Code national de l'électricité. Si vous n'êtes pas familier avec les méthodes d'installation du câblage et des produits électriques, faites appel aux services d'un électricien qualifié et agréé ainsi que d'une personne capable de vérifier la résistance des éléments de support du plafond et d'effectuer les installations et connexions appropriées.
- 3 **AVERTISSEMENT** : Pour réduire le risque d'incendie, de choc électrique ou d'autres blessures, montez le ventilateur uniquement sur une boîte de sortie ou un système de support marqué acceptable pour un support de ventilateur de 35 lb (15,9 kg) ou moins et utilisez les vis de montage fournies avec la boîte de sortie. La plupart des boîtes de sortie couramment utilisées pour le support des appareils d'éclairage ne sont pas acceptables pour le support des ventilateurs et peuvent devoir être remplacées. Consultez un électricien qualifié en cas de doute.
- 4 Assurez-vous que votre site d'installation ne permettra pas aux pales de ventilateur en rotation d'entrer en contact avec un objet. Les lames doivent être à au moins 7 pieds du sol.
- 5 Les lames doivent être fixées une fois le boîtier du moteur suspendu et en place. Le boîtier du moteur du ventilateur doit être conservé dans le carton jusqu'à ce qu'il soit prêt à être installé pour protéger son fini. Si vous installez plus d'un ventilateur de plafond, assurez-vous de ne pas mélanger les ensembles de pales de ventilateur, car chaque pale fait partie d'un ensemble pondéré.
- 6 Après avoir effectué les connexions électriques, les conducteurs épissés doivent être tournés vers le haut et poussés avec précaution dans la boîte de sortie. Les fils doivent être écartés avec le conducteur commun et le conducteur de mise à la terre d'un côté de la boîte de sortie, et le fils "CHAUDS" de l'autre côté.
- 7 Les schémas électriques sont fournis à titre indicatif uniquement. Les kits d'éclairage qui ne sont pas emballés avec le ventilateur doivent être homologués UL et doivent être installés conformément aux instructions d'installation du kit d'éclairage.
- 8 Une fois le ventilateur complètement installé, assurez-vous que toutes les connexions sont sécurisées pour éviter que le ventilateur ne tombe et/ou ne cause des dommages ou des blessures.
- 9 Le ventilateur peut être mis en marche immédiatement après l'installation - les roulements sont suffisamment chargés de graisse pour que, dans des conditions normales, une lubrification supplémentaire ne soit pas nécessaire pendant la durée de vie du ventilateur.
- 10 Pour activer la fonction d'inversion sur ce ventilateur, appuyez sur le bouton d'inversion pendant que le ventilateur est en marche.
- 11 **ATTENTION** : Ne pas ingérer la batterie - Risque de brûlure chimique. Gardez les piles neuves et usagées hors de portée des enfants.
- 12 La télécommande est livrée avec une pile bouton/bouton. Si la pile bouton/bouton est avalée, elle peut provoquer de graves brûlures internes en seulement 2 heures et entraîner la mort.
- 13 Si le compartiment à piles ne se ferme pas correctement, arrêtez d'utiliser le produit et tenez-le hors de portée des enfants.
- 14 Si vous pensez que des piles ont été avalées ou placées à l'intérieur d'une partie du corps, consultez immédiatement un médecin.

MESURES DE SÉCURITÉ IMPORTANTES

AVERTISSEMENTS:

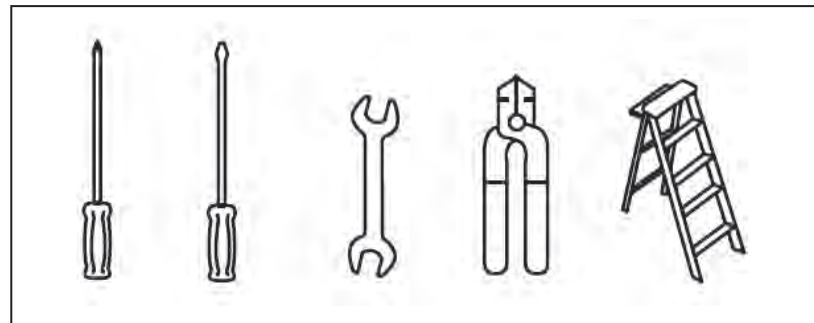
- Coupez l'alimentation en retirant le fusible ou en éteignant le disjoncteur avant d'installer le ventilateur et/ou l'éclairage en option.
- Support directement à partir de la structure du bâtiment.
- Pour réduire les risques d'incendie, d'électrocution ou de blessures corporelles, montez sur la boîte de sortie marquée "acceptable pour le support du ventilateur" et utilisez les vis de montage fournies avec la boîte de sortie. La plupart des boîtes de sortie couramment utilisées pour le support des appareils d'éclairage ne sont pas acceptables pour le support des ventilateurs et peuvent devoir être remplacées. Consultez un électricien qualifié en cas de doute.
- N'utilisez pas de gradateur de lumière incandescente. N'utilisez pas ce ventilateur avec un dispositif de contrôle de la vitesse du ventilateur de type transformateur.
- Pour réduire le risque de blessure, ne pliez pas les bras des pales lors de leur installation, de l'équilibrage des pales ou du nettoyage du ventilateur.
- N'insérez aucun objet entre les pales du ventilateur en rotation.

NOTE:

Les précautions, mesures de protection et instructions importantes apparaissant dans ce manuel ne sont pas destinées à couvrir toutes les conditions et situations possibles qui peuvent se produire. Il faut comprendre que le bon sens, la prudence et la prudence sont des facteurs qui ne peuvent pas être intégrés à ce produit. Ces facteurs doivent être fournis par la ou les personnes qui installent, entretiennent et utilisent l'unité.

OUTILS ET MATÉRIAUX NÉCESSAIRES

- TOURNEVIS CRUCIFORME
- TOURNEVIS PLAT
- CLÉ OU PINCE
- COUPE-FIL
- ESCABEAU
- FOURNITURES DE CÂBLAGE REQUISES PAR LE CODE ÉLECTRIQUE



DÉBALLAGE DE VOTRE VENTILATEUR

DÉBALLEZ VOTRE VENTILATEUR ET VÉRIFIEZ LE CONTENU.

• Ne jetez pas le carton. Si un remplacement ou une réparation sous garantie est nécessaire, le ventilateur doit être retourné dans son emballage d'origine. Retirez toutes les pièces et le matériel. Ne posez pas le boîtier du moteur sur le côté, sinon le boîtier décoratif pourrait se déplacer, être plié ou endommagé.

• Examinez toutes les pièces. Vous devriez avoir les éléments suivants :

CONTENU DE L'EMBALLAGE HOVER FLUSH		
1	Jeu de 3 lames	BL900872Fxx
2	Plaques de support de lame	Dans le sac de quincaillerie
3	Support de montage	x
4	Anneau décoratif	RG900872Fxx
5	Boîtier de ventilateur avec moteur *Retirez les supports d'expédition en caoutchouc autour du moteur, le cas échéant. Conservez les vis.	x
6	Plaque d'adaptation	AP900852Fxx
7	Assemblage LED 16W	E900852LED
8	Abat-jour en verre	GL900852ETCH
9	Récepteur (pré-installé)	CNW900872
10	HIRO Commande murale avec pile 2032, berceau A, plaque murale, plaque frontale, 2 vis de montage, Berceau B (pour une utilisation sur un mur plat uniquement)	980014FWH-R
11	Sac de quincaillerie	
	Matériel de montage du support (vis à bois, vis, rondelles de blocage, rondelles en étoile, rondelles plates, écrous de fil), vis lame à moteur avec rondelles de blocage, Trousse d'équilibre, Matériel de câble de sécurité (vis à bois, rondelle plate)	MH900872Fxx
XX=VENTILATEUR FINITION		

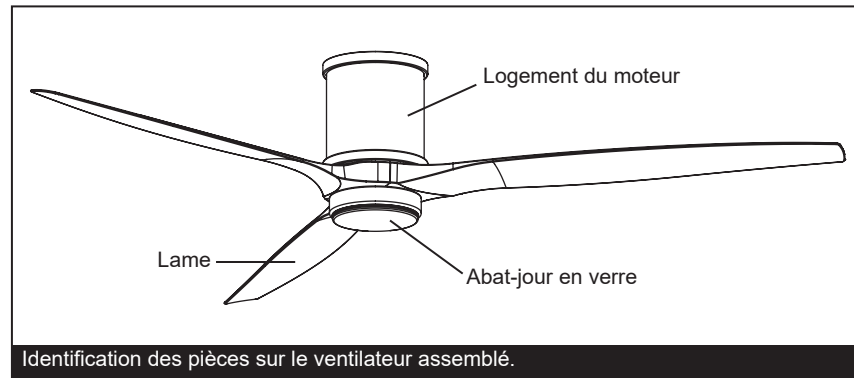
NOTE : La conception des pièces illustrées ci-dessus peut sembler légèrement différente pour votre modèle de ventilateur spécifique.

PRÉPARATION

PRÉPARATION:

Vérifiez que vous avez toutes les pièces avant de commencer l'installation. Vérifiez attentivement l'insert en mousse pour les pièces manquantes. Retirez le moteur de l'emballage. Pour éviter d'endommager la finition, assemblez le moteur sur une surface rembourrée douce ou utilisez l'insert en mousse d'origine dans le boîtier du moteur.

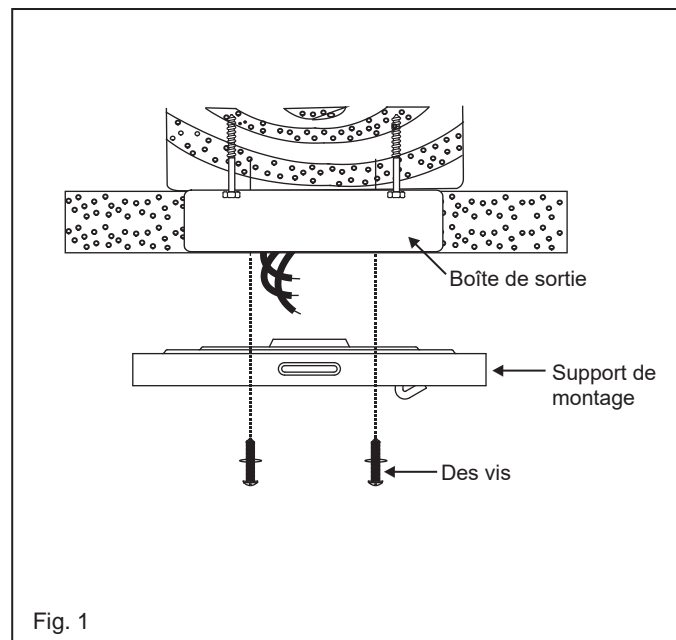
NE PAS POSER LE BOÎTIER DU MOTEUR SUR LE CÔTÉ CAR CELA POURRAIT ENTRAÎNER LE DÉPLACEMENT DU MOTEUR DANS L'ENCEINTE DÉCORATIVE.



INSTALLATION DU SUPPORT DE SUSPENSION

ATTENTION : Pour éviter tout risque d'électrocution, assurez-vous que l'électricité est coupée au niveau du boîtier d'alimentation principal avant le câblage. Tout le câblage doit être conforme aux codes électriques nationaux et locaux et le ventilateur de plafond doit être mis à la terre par mesure de précaution contre un éventuel choc électrique.

- 1 Localisez la solive de plafond où le ventilateur doit être monté, en vous assurant que l'emplacement est conforme aux exigences de la section de dégagement minimum de ce guide. Les solives en bois doivent être solides et de taille adéquate pour supporter 35 lb. (Voir page 1, articles 3 et 4).
- 2 S'il n'est pas déjà présent, montez une boîte de sortie homologuée UL portant la mention "adapté au support de ventilateur" en suivant les instructions fournies avec la boîte de sortie. La boîte de sortie doit pouvoir supporter un minimum de 35 livres.
- 3 Fixez le support de montage à la boîte de sortie à l'aide des vis fournies avec la boîte de sortie.

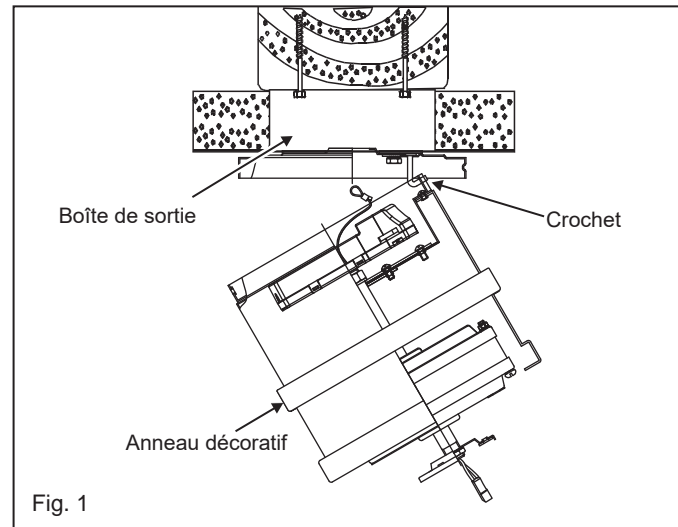


SUSPENDRE LE VENTILATEUR

N'OUBLIEZ PAS de couper l'alimentation. Suivez les étapes ci-dessous pour accrocher correctement votre ventilateur.

Placez l'anneau décoratif sur le carter du moteur.

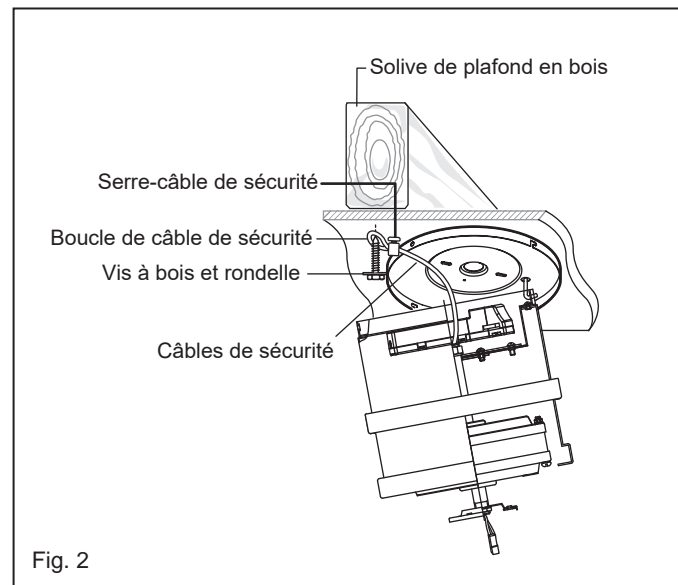
Soulevez délicatement le moteur du ventilateur (sans les pales) en position en suspendant le moteur au crochet de la plaque d'adaptation au plafond, ce qui lui permet de pendre librement. (Fig. 1)



INSTALLATION DU SUPPORT DU CÂBLE DE SÉCURITÉ

Fixez la vis à bois et la rondelle plate à la solive de plafond comme illustré (ne serrez pas complètement). Faites glisser le serre-câble sur le câble de sécurité du ventilateur. Enroulez le câble de sécurité autour de la vis à bois qui vient d'être fixée à la solive du plafond. Faites passer l'extrémité du câble dans la pince et tirez autant de câble que possible. Serrez fermement la vis dans la pince. Coupez l'excédent de câble. (Fig. 2)

Vous êtes maintenant prêt à effectuer les connexions électriques.



CONNEXIONS ELECTRIQUES

N'OUBLIEZ PAS - Coupez l'alimentation ! **NOTE** - La commande doit être installée à moins de 30 pieds du ventilateur.

AVERTISSEMENTS : Vérifiez que toutes les connexions sont bien serrées, y compris la terre, et qu'aucun fil dénudé n'est visible au niveau des serre-fils, à l'exception du fil de terre.

ATTENTION : Pour réduire le risque de choc électrique, ce ventilateur doit être installé avec une commande/interrupteur mural isolant.

1. Pour de meilleures performances, assurez-vous que l'antenne noire et l'antenne WIFI, à l'extrémité du récepteur, restent étendues et ne s'emmêlent avec aucun des fils électriques.
2. Effectuez les connexions des câbles entre le ventilateur et le récepteur. Pour cette étape utilisez le faisceau de 5 fils sur le récepteur. (Fig. 1)

Connectez le fil JAUNE du ventilateur au fil JAUNE du récepteur.

Connectez le fil GRIS du ventilateur au fil GRIS du récepteur.

Connectez le fil neutre du ventilateur ROUGE au fil neutre du récepteur ROUGE.

Connectez le fil BLANC du kit d'éclairage neutre du ventilateur au fil BLANC du récepteur marqué « For Light ».

Connectez le fil NOIR du kit d'éclairage du ventilateur au fil BLEU du récepteur marqué « For Light ».

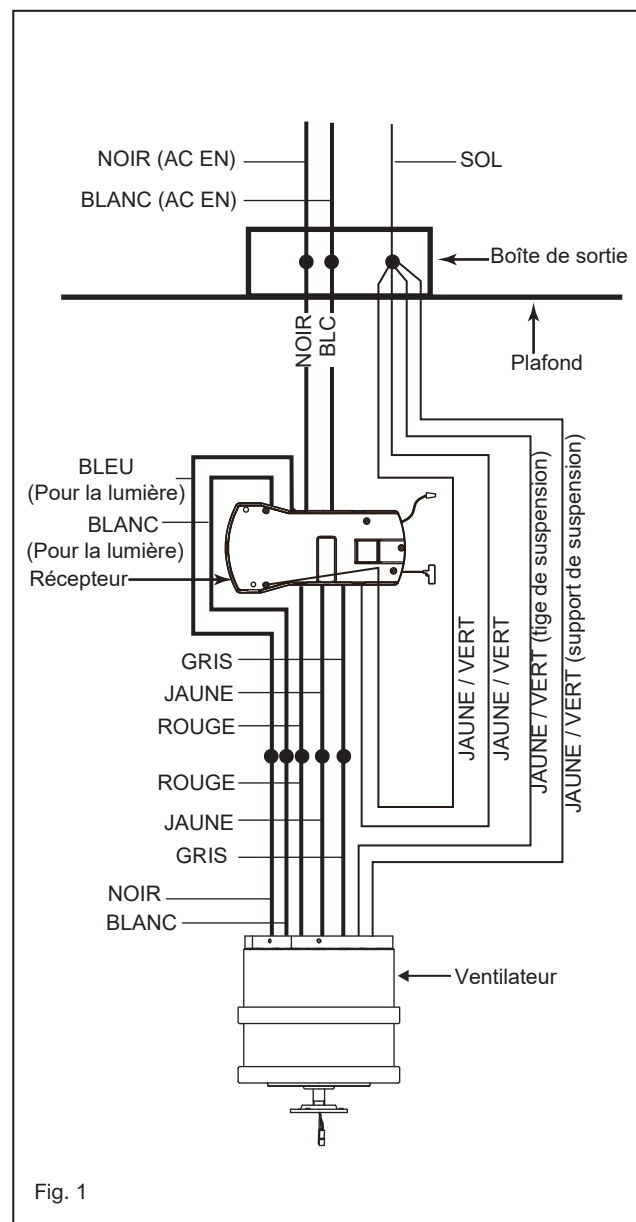
Les couleurs des fils sortant du ventilateur sont noir/blanc pour le kit d'éclairage. Les fils du kit d'éclairage du contrôleur/récepteur sont bleus/blancs.

3. Connectez le câblage du plafond au récepteur. (Utilisez le faisceau de 2 fils sur le récepteur.) Fixez avec les serre-fils fournis.

Connectez le fil NOIR d'alimentation du bâtiment au fil NOIR du récepteur.

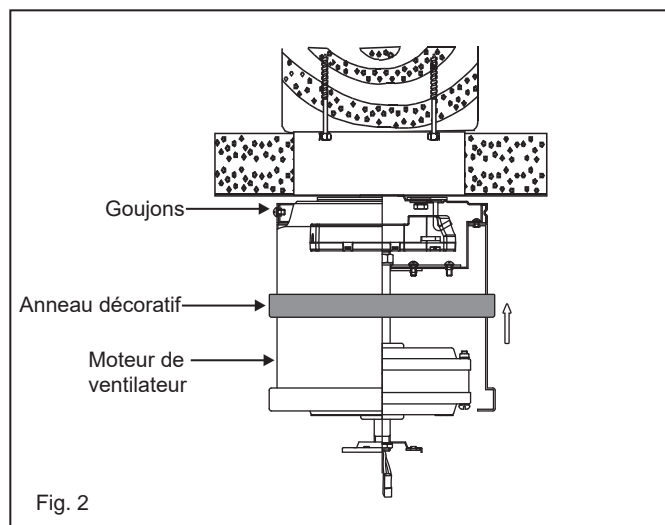
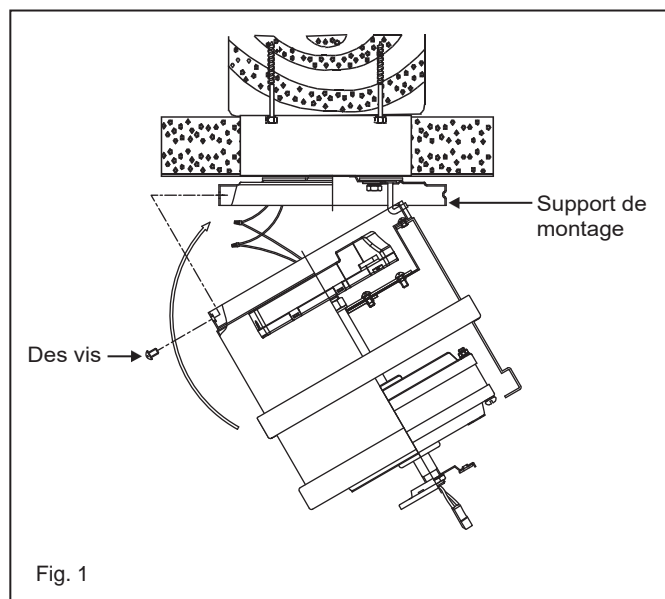
Connectez le fil neutre BLANC du récepteur au fil neutre BLANC du bâtiment.

Connectez le fil de terre du bâtiment en CUIVRE aux 4 fils de terre JAUNE/VERT du ventilateur et du récepteur.



FIN DE L'INSTALLATION

- 1 Déplacez le ventilateur en position sur le support de montage et fixez-le avec les 4 vis fournies. (Fig. 1)
- 2 Soulevez l'anneau décoratif et alignez les 4 fentes du moteur du ventilateur avec les 4 languettes de l'anneau décoratif. Une fois aligné, faites glisser l'anneau décoratif et fixez-le au sommet du moteur du ventilateur jusqu'à ce qu'il soit bien ajusté. (Fig. 2)

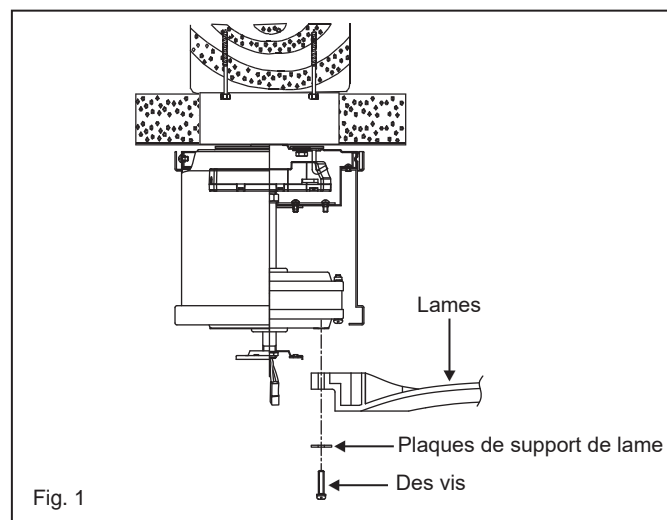


INSTALLATION DES LAMES

AVERTISSEMENT : Pour réduire le risque de blessure, ne pliez pas les pales lors de l'installation, de l'équilibrage des pales ou du nettoyage du ventilateur.

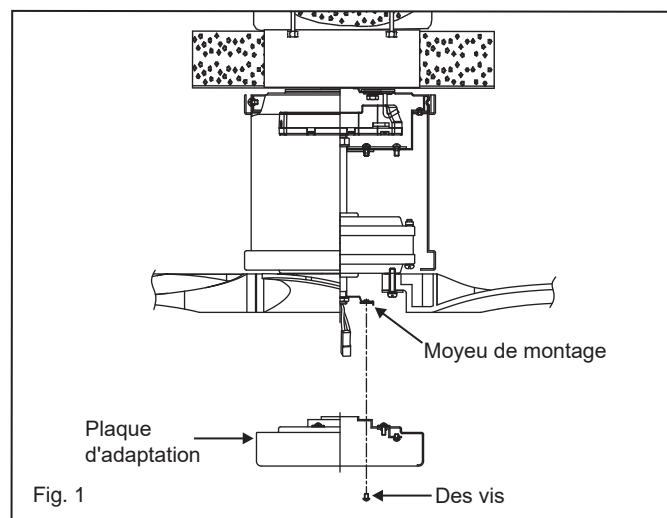
- 1 Insérez la lame dans la fente du boîtier. Alignez les trous de la pale et du moteur du ventilateur et fixez-les avec une vis de fixation de pale et une rondelle plate.

Répétez cette procédure avec les lames restantes.



INSTALLATION DE LA PLAQUE D'ADAPTATION

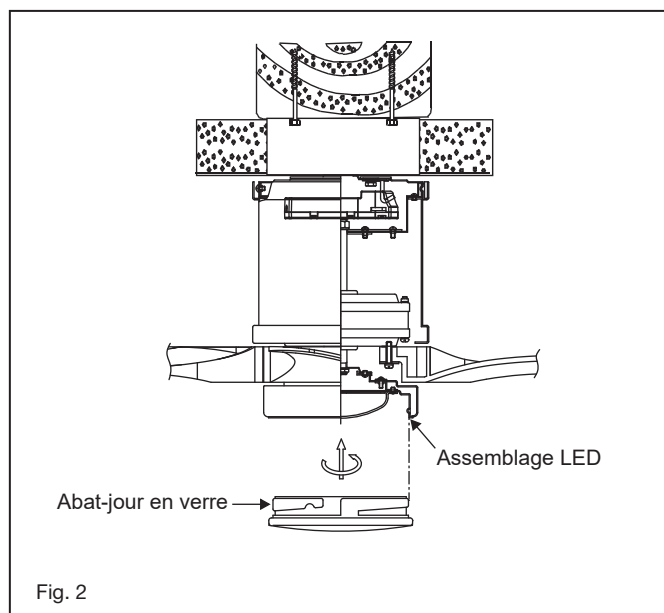
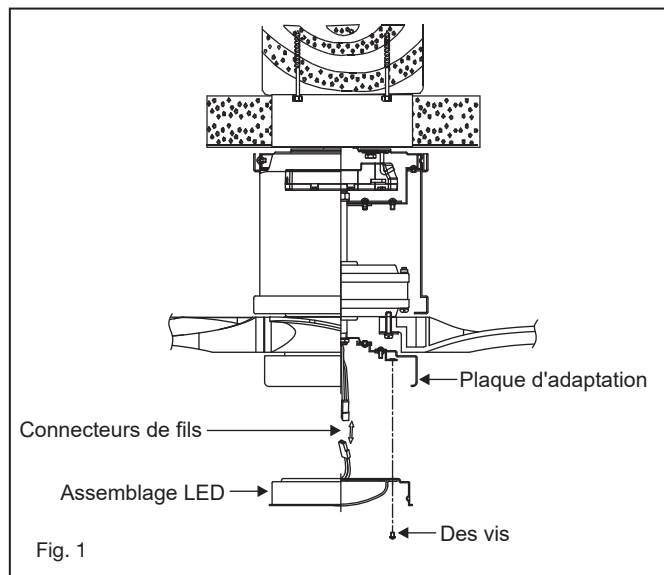
- 1 Retirez l'une des trois vis du moyeu de montage situé sur le moteur du ventilateur.
- 2 Desserrez les deux autres vis.
- 3 Installez la plaque d'adaptation sur le moyeu de montage.
- 4 Alignez les deux trous oblongs avec les deux vis desserrées sur le moyeu de montage situé sur le moteur du ventilateur.
- 5 Réinstallez la troisième vis retirée et serrez les trois.



INSTALLATION DE L'ENSEMBLE LED ET DE L'ABAT-JOUR EN VERRE

AVERTISSEMENT : Avant de commencer l'installation, débranchez l'alimentation en éteignant le disjoncteur ou en retirant le fusible de la boîte à fusibles. Couper l'alimentation à l'aide de l'interrupteur du ventilateur n'est pas suffisant pour éviter un choc électrique.

- 1 Retirez l'une des 3 vis des tiges du boîtier décoratif du kit d'éclairage et conservez-la pour une utilisation ultérieure. Desserrez les 2 autres vis. (Ne pas enlever)
- 2 Tout en maintenant le kit d'éclairage LED sous votre ventilateur, effectuez les connexions des fiches polarisées : (Fig. 2)
 - Rouge à blanc
 - Noir sur noir
- 3 Placez les trous de clé sur l'ensemble LED sur les 2 vis précédemment desserrées, tournez la plaque lumineuse jusqu'à ce qu'elle se verrouille en place au niveau de la section étroite des trous de clé. Fixez en serrant les 2 vis précédemment desserrées et celle précédemment retirée. (Fig. 1)
- 4 Soulevez l'abat-jour en verre contre la plaque d'adaptation et fixez-le au ventilateur en tournant l'abat-jour en verre dans le sens des aiguilles d'une montre jusqu'à ce qu'il soit bien ajusté. **NE PAS TROP SERRER.**
- 5 Rétablissez le courant et votre kit d'éclairage est prêt à fonctionner.



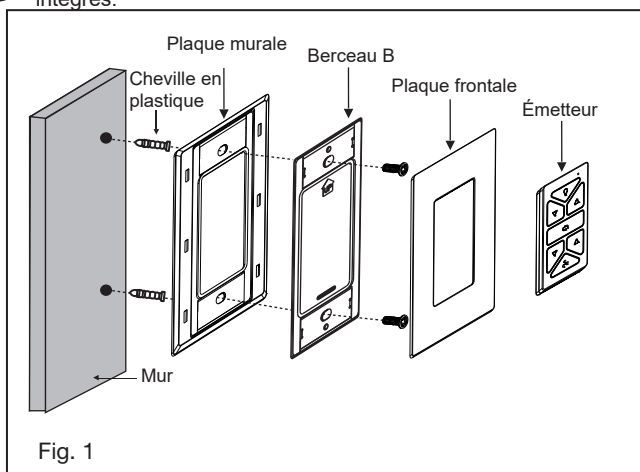
INSTALLATION DE LA COMMANDE MURALE

N'OUBLIEZ PAS de couper l'alimentation avant de commencer.

NOTE - Se fixe à n'importe quelle surface ou application : mur plat, boîte simple, boîte multiple.

Option 1. Installation sur une surface plane

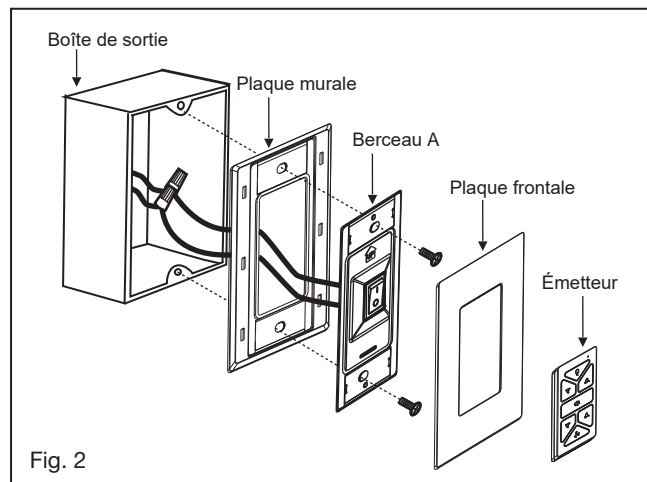
- 1 Sélectionnez un emplacement souhaité. Utilisez la plaque murale pour marquer l'emplacement des trous de montage. Des ancrages muraux en plastique ou des vis de montage sont nécessaires pour cette application. (Fig. 1)
- 2 Installez le berceau B dans la plaque murale. Fixez la plaque murale au mur à l'aide du matériel fourni.
- 3 Enclenchez le couvercle de la plaque frontale sur le support mural.
- 4 L'émetteur à distance sera maintenu en place avec des aimants intégrés.



HIROHIRO Système de contrôle

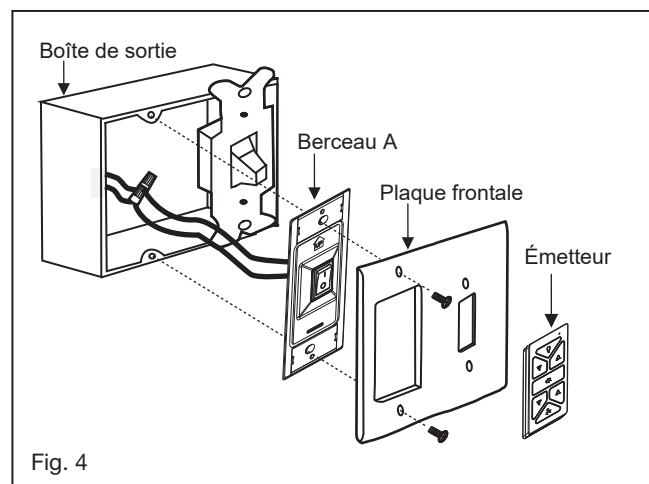
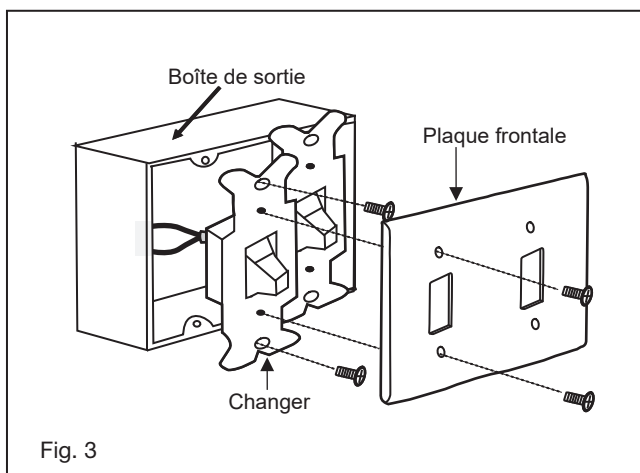
Option 2. Pour boîte simple

- 1 Retirez la plaque murale existante et l'ancien interrupteur de la boîte de prise murale.
- 2 Installez le berceau A dans la plaque murale. (Fig. 2)
- 3 Connectez les fils conducteurs noirs de l'interrupteur du berceau A aux fils noirs du boîtier de l'interrupteur. Fil d'entrée sous tension vers l'un des fils de l'interrupteur du socle A. Le fil d'alimentation du ventilateur est connecté au fil restant de l'interrupteur.
- 4 Connectez l'ensemble plaque murale / berceau A à la boîte de prise murale à l'aide du matériel fourni.
- 5 Enclenchez le couvercle de la plaque frontale sur le support mural.
- 6 L'émetteur à distance sera maintenu en place avec des aimants intégrés.



Option 3. Installation d'un boîtier d'interrupteur mural multi-groupes

- 1 Retirez la plaque murale existante et l'ancien interrupteur de la boîte de prise murale. (Fig. 3)
- 2 Connectez les fils conducteurs noirs de l'interrupteur du berceau A aux fils noirs du boîtier de l'interrupteur. Fil d'entrée sous tension vers l'un des fils de l'interrupteur du socle. Le fil d'alimentation du ventilateur est connecté au fil restant de l'interrupteur. (Fig. 4)
- 3 Fixez le socle A au boîtier de l'interrupteur mural à l'aide du matériel fourni.
- 4 Fixez la façade multi-gang à l'ensemble d'interrupteurs dans la boîte de prise murale. Le berceau A de l'interrupteur Hinkley s'adaptera à n'importe quelle plaque frontale Decora standard.
- 5 L'émetteur à distance sera maintenu en place avec des aimants intégrés.



HIRO HIRO Système de contrôle

OPÉRATION


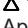



Votre moteur CC sans balais est équipé d'une télécommande de type à apprentissage automatique. Il n'y a pas de commutateurs de fréquence sur le récepteur ou l'émetteur. Le ventilateur peut commencer à fonctionner une fois le processus d'appariement terminé.

Retirez le panneau de l'émetteur, puis installez une pile 2032 (incluse). Vous devez utiliser une pièce de monnaie pour ouvrir ou fermer le couvercle de la batterie. Pour éviter d'endommager l'émetteur, retirez la batterie si elle n'est pas utilisée pendant de longues périodes (Fig. 1)

AVERTISSEMENT : risque de brûlure chimique. Gardez les piles hors de portée des enfants.

Ce produit contient une pile bouton/bouton au lithium. Si une pile bouton/bouton au lithium neuve ou usagée est avalée ou pénètre dans le corps, elle peut provoquer de graves brûlures internes et entraîner la mort en moins de 2 heures. Fixez toujours complètement le compartiment à piles. Si le compartiment des piles ne se ferme pas correctement, arrêtez d'utiliser le produit, retirez les piles et tenez-le hors de portée des enfants. Si vous pensez que des piles ont été avalées ou placées à l'intérieur d'une partie du corps, consultez immédiatement un médecin.

Les piles doivent être éliminées de manière appropriée, y compris en les gardant hors de portée des enfants ; Même les cellules usagées peuvent causer des blessures.

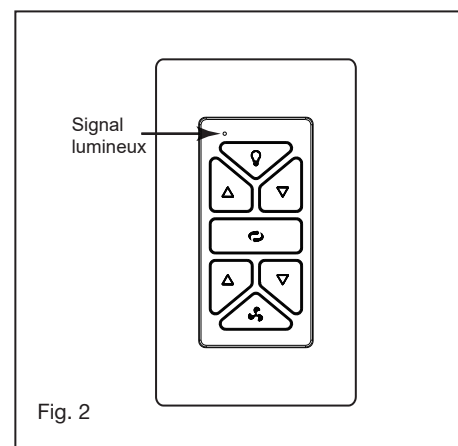
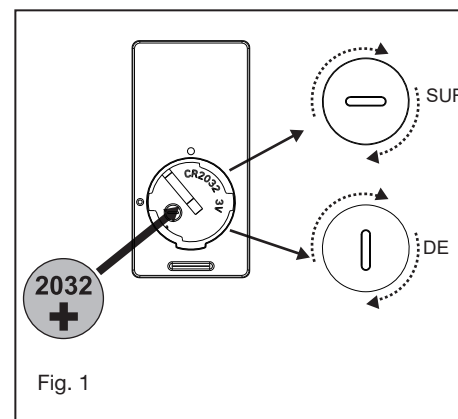
- 1  bouton: Appuyez sur ce bouton et relâchez-le instantanément pour allumer ou éteindre la lumière.
- 2  bouton: Appuyez et maintenez pour atténuer ou augmenter les lumières au niveau désiré et relâchez.
- 3  bouton: Appuyez sur ce bouton pour régler la direction du vent du ventilateur vers le haut ou vers le bas.
- 4  bouton: Appuyez sur le bouton pour allumer et régler la vitesse du ventilateur 1-6.
- 5  bouton: Appuyez sur ce bouton pour éteindre le ventilateur.
- 6 Signal lumineux (Fig. 2)

NOTE: Si vous installez/jumelez plus d'un ventilateur dans une zone, l'alimentation doit être déconnectée de tous les ventilateurs, à l'exception du ventilateur jumelé.

Processus d'appariement

Le ventilateur étant hors tension, rétablissez l'alimentation du ventilateur. Appuyez et maintenez le bouton "☀" pendant environ 5 secondes et relâchez. Si le kit d'éclairage en option est installé, le kit d'éclairage clignote trois fois et le moteur tourne pendant 10 secondes à basse vitesse. Le ventilateur a terminé le processus d'appariement avec la commande murale et est prêt à l'emploi.

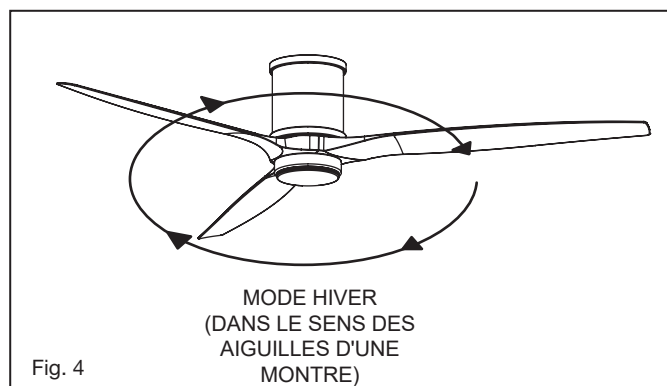
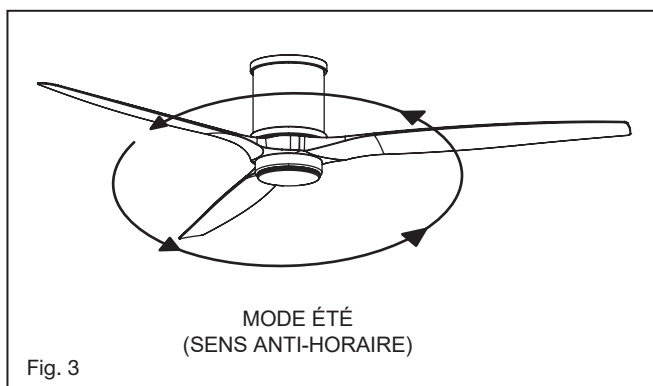
NOTE : Un seul ventilateur peut être contrôlé avec jusqu'à 3 commandes murales dans une pièce. Chaque contrôle devra répéter le processus d'appariement en fonction des instructions ci-dessus et tous les contrôles doivent être à moins de 30 pieds du ventilateur.



HIROHIRO Système de contrôle

Fonctionnement en mode été et en mode hiver

- 7 Mode été (avant):
Un flux d'air VERS LE BAS crée un effet de refroidissement comme illustré à la Figure 3. Cela vous permet de régler votre climatiseur sur un réglage plus chaud sans affecter votre confort.
- 8 Mode hiver (marche arrière) :
Un flux d'air VERS LE HAUT déplace l'air plus chaud hors de la zone du plafond, comme illustré à la Figure 4. Cela vous permet de régler votre appareil de chauffage sur un réglage plus frais sans affecter votre confort.



ENTRETIEN ET NETTOYAGE

Périodiquement, il peut être nécessaire de resserrer les vis du bras de la lame ou du bras de la lame sur le moteur pour éviter les cliquetis ou les bourdonnements pendant le fonctionnement. Cela est particulièrement vrai dans les climats avec de larges plages de température et d'humidité.

Lors du dépoussiérage des lames, vous devez soutenir la lame pour éviter qu'elle ne se plie - aucune pression ne doit être appliquée sur les lames. Si vous rencontrez des défauts dans le fonctionnement de votre ventilateur, veuillez vérifier les points suivants.

DÉPANNAGE

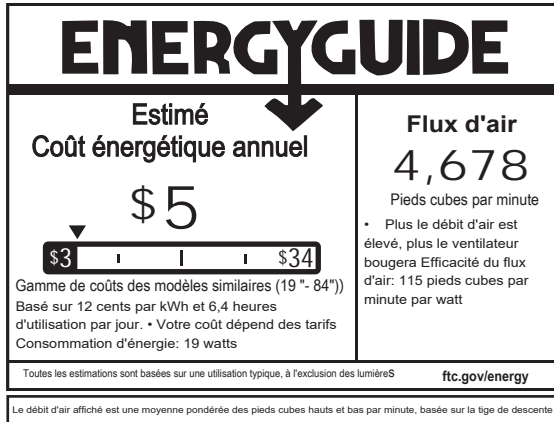
AVERTIR:

Couper l'alimentation électrique avant d'effectuer l'une de ces vérifications.

PROBLÈME	SOLUTION
LE VENTILATEUR NE DÉMARRE PAS	<ol style="list-style-type: none">1. Vérifiez les fusibles ou les disjoncteurs du circuit.2. Vérifiez le voyant DEL de la commande murale. Si la LED n'est pas allumée lorsque vous appuyez sur un bouton, il ne transmet pas de signal. Veuillez vérifier l'alimentation de la commande murale/disjoncteur et toutes les connexions électriques.3. Assurez-vous qu'il n'y a pas plus de 2 ventilateurs fonctionnant sur un circuit à travers la commande murale. Assurez-vous qu'il n'y a pas plus de 12 ventilateurs fonctionnant sur un circuit via un interrupteur mural marche/arrêt ou un disjoncteur (et non via une commande murale).4. Assurez-vous que le ventilateur est à portée du Wi-Fi (150 pieds) ou de la commande murale (30 pieds).
LE VENTILATEUR SONNE BRUYANT	<ol style="list-style-type: none">1. Prévoyez une période de "rodage" de 24 heures. La plupart des bruits associés à un nouveau ventilateur disparaîtront pendant cette période.2. Assurez-vous que toutes les vis du boîtier du moteur sont bien serrées.3. Assurez-vous que les vis qui fixent la pale du ventilateur au ventilateur sont bien serrées.4. Assurez-vous que votre boîte de plafond est sécurisée et que des coussinets isolants en caoutchouc sont utilisés entre le support de montage et la boîte de sortie.
LE VENTILATEUR VAGUE	<ol style="list-style-type: none">1. Vérifiez que toutes les vis de lame et de bras de lame sont bien fixées.2. Si l'oscillation de la lame est toujours perceptible, l'échange de deux lames adjacentes (côte à côte) peut redistribuer le poids et éventuellement entraîner un fonctionnement plus fluide.3. Assurez-vous que toutes les tiges de suspension du matériel du moteur et/ou de la boule de suspension sont bien serrées.4. Assurez-vous que la boîte de plafond est sécurisée.

GUIDE ÉNERGIE

PERFORMANCES MOYENNES ET INFORMATIONS ÉNERGÉTIQUES



CARACTÉRISTIQUES

SPÉCIFICATIONS DE PERFORMANCE	LA NORME	
	HAUTE VITESSE	FAIBLE VITESSE
Débit d'air (CFM)	7515	1462
Consommation d'énergie (watts)	27.1	2.0
Efficacité du flux d'air (CFM / W)	277	731
Coûts énergétiques (annuels)	\$5	\$1
Amplis	0.37	0.04
RPMs	119	28

TÉLÉCHARGEMENT DE L'APPLICATION HINKLEY

OPTIONS DE VENTILATEURS INTELLIGENTS HINKLEY:

En plus de la commande murale incluse, vous pouvez contrôler votre ventilateur Hinkley via l'application Hinkley.

- Pour utiliser l'application Hinkley, téléchargez-la gratuitement depuis l'App Store ou Google Play.
- Ouvrez l'application Hinkley où vous serez invité à créer un compte.
- Entrez toutes les informations nécessaires pour créer un compte.
- Une fois le compte créé, vous recevrez un e-mail de code de vérification pour terminer la configuration de l'application Hinkley (vérifiez le dossier spam si l'e-mail n'est pas reçu).
- Confirmez que Bluetooth est activé pour permettre au ventilateur et à l'application Hinkley de se connecter.
- Cliquez sur Ajouter un appareil sur l'écran d'accueil et sélectionnez le ventilateur souhaité.
- L'application Hinkley vous demandera alors d'entrer le nom et le mot de passe WiFi.
- Cliquez sur terminé sur l'application Hinkley pour terminer la connexion du ventilateur.
- L'application Hinkley aura des options sur l'écran principal pour les vitesses du ventilateur, la gradation et le réglage des minuteries.
- Scannez le code QR ci-dessous pour plus d'informations sur le fonctionnement de l'application Hinkley.



SCANNEZ POUR PLUS DE DÉTAILS

HINKLEY EST FIER DE VOUS FOURNIR DES PRODUITS DE VENTILATEURS DE PLAFOND QUI AMÉLIORENT VOTRE ESPACE AVEC CONFORT, USAGE ET STYLE. EN TANT QU'ENTREPRISE FAMILIALE, NOUS SOMMES ENGAGÉS POUR LA CONCEPTION, LA PERFORMANCE ET LA QUALITÉ, ET CE QUI EST IMPORTANT POUR VOUS EST PRIMORDIAL POUR NOUS.

POUR UN ASSORTIMENT COMPLET DE NOS PRODUITS ET LIVRES SOURCES, VISITEZ HINKLEY.COM.

HINKLEY

GLOBAL HEADQUARTERS

33000 Pin Oak Parkway | Avon Lake, Ohio 44012

T (440) 653 5500 | F (440) 653 5555 | hinkley.com