

# Assembly Instruction Sheet #IS-TF1487T For Style TF1487T

Quoizel, Inc.  
 6 Corporate Parkway  
 Goose Creek, SC  
 29445

Customer Service  
 Phone 631.273.2700  
 Fax 631.231.7102  
 www. quoizel. com

**Tools Required:** None

**Bulb Recommended:** (2) Medium Base 75W Maximum

**Estimated Assembly Time:** 15-20 minutes

**Preparation:** Identify and inspect all parts before beginning installation. Check package content list and diagrams below to be sure all parts are present. If any parts are missing or damaged, do not attempt to assemble, install, or operate the fixture. Contact customer service for replacement parts.



## Warnings and Cautions

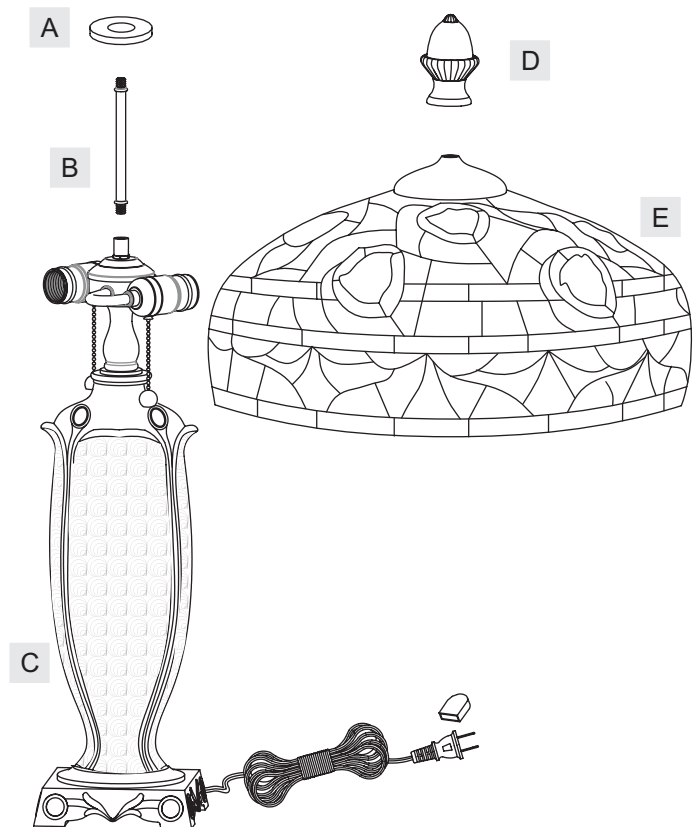
Turn off electricity at circuit breaker or main fuse box before installation. Consult a licensed electrician if in doubt.

These instructions are provided for your safety. It is very important you read them completely before installing the fixture. We strongly recommend that a licensed, professional electrician perform the installation.

Disconnect fixture from power source before replacing bulbs. Make sure bulbs are given sufficient time to cool before removal. Do not subject glass parts to any shock while in operation or shattering may result.

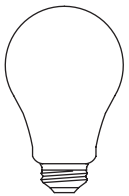
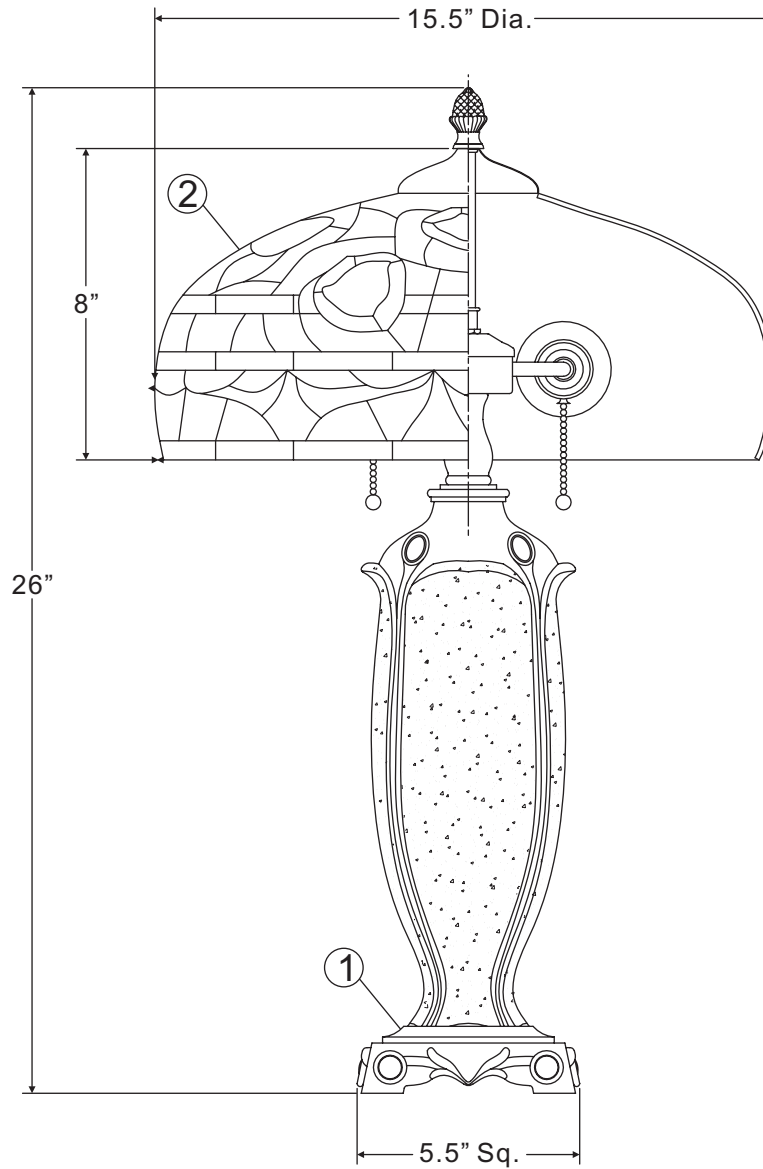
## Package Contents

| Part | Description | Quantity |
|------|-------------|----------|
| A    | Flat Washer | 1 pc.    |
| B    | Stem        | 1 pc.    |
| C    | Base        | 1 pc.    |
| D    | Finial      | 1 pc.    |
| E    | Shade       | 1 pc.    |



**Thank you for purchasing a Quoizel product.**

**Need assistance with parts or assembly? Call Quoizel customer service at 1-631-273-2700  
 or visit us on-line at [www. quoizel. com](http://www. quoizel. com)**



(2) 75W Medium Base Bulbs (Not Supplied)

NOTE: ALL DIMENSIONS ARE ROUNDED UP TO THE NEAREST 1/2"

| NO. | PART NUMBER | REPLACEMENT PART DESCRIPTION | REQ. |
|-----|-------------|------------------------------|------|
| 1   | 11487TTF    | BASE FOR TF1487T             | 1    |
| 2   | G3510SH     | TIFFANY SHADE 16"D           | 1    |

### STEP 1 – Install Stem

- A. Thread one end of the Stem (B) into the Coupling on the top center of the Base (C). Hand tighten until snug.

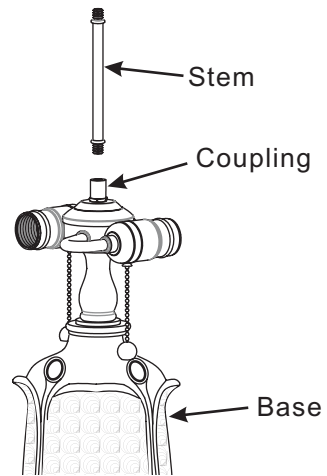


Figure 1

### STEP 2 – Assemble Shade

- A. Place the Flat Washer (A) and the Shade (E) over the top end of the Stem (B) and secure with the Finial (D). Hand tighten until snug.

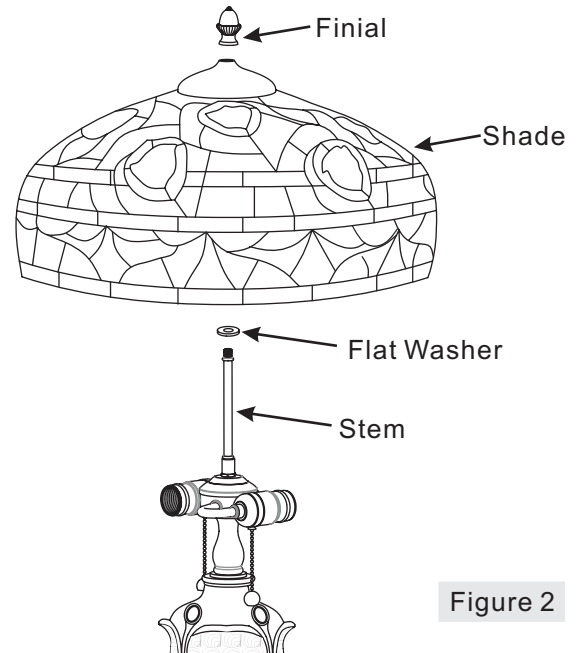


Figure 2

### STEP 3 – Install Bulb

- A. This fixture uses standard bulbs with medium screw bases. Maximum 75 watts.  
B. Insert bulb and screw snugly into place.

Your fixture is now assembled and ready to use. Enjoy!

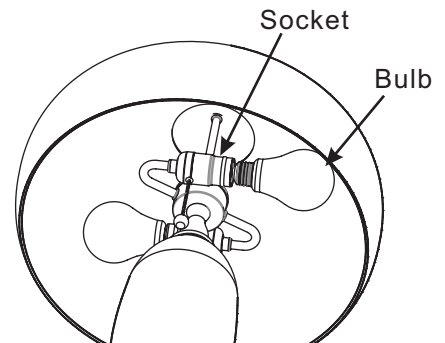


Figure 3

**Thank you for purchasing a Quoizel product.**  
**Need assistance with parts or assembly? Call Quoizel customer service at 1-631-273-2700**  
**or visit us on-line at [www. quozel. com](http://www. quozel. com)**