

Fixture Type: _____

Catalog Number: _____

Project: _____

Location: _____

Dice Ceiling Mount

| Model & Size | Color Temp & CRI | Finish | Watt | LED Lumens | Delivered Lumens | Title 24 |
|--------------|------------------|-------------------|-------|------------|------------------|----------|
| FM-4006 6" | 2700K 90 | BN Brushed Nickel | 17.5W | 1400 | 700 | No |
| | 2700K 90 | BZ Bronze | 17.5W | 1400 | 700 | Yes |
| | 2700K 90 | CH Chrome | 17.5W | 1400 | 700 | Yes |
| | 3000K 90 | BN Brushed Nickel | 17.5W | 1444 | 721 | Yes |
| | 3000K 90 | BZ Bronze | 17.5W | 1444 | 721 | Yes |
| | 3000K 90 | CH Chrome | 17.5W | 1444 | 721 | Yes |

Example: **FM-4006-27-BN**

- For 277V special order, add an "F" before the finish: FM-4012F-27-BN
- For alternate color temperature, special order adding -27 or -30 or -35: FM-4012F-27-BN

DESCRIPTION

Thick-walled glass is uniformly illuminated in a design made for LED technology in a square format. Full range dimming control. Mounts as robust ceiling luminaire or a compelling wall sconce.

FEATURES

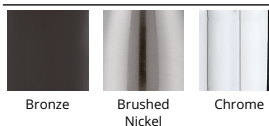
- Etched 3/4" thick pressed glass diffuser with interior ceramic glaze
- Title 24 may not be available for all finishes, check for availability
- ACLED driverless technology
- 5 year warranty

SPECIFICATIONS

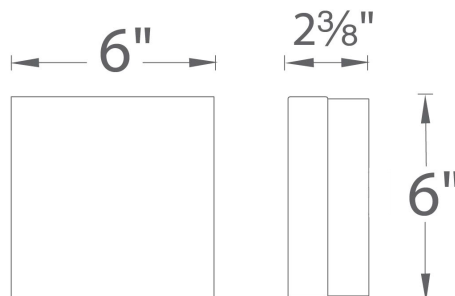
| | |
|----------------------|--|
| Color Temp: | 2700K, 3000K |
| Input: | 120 VAC, 50/60Hz |
| CRI: | 90 |
| Dimming: | ELV: 100 - 10% |
| Rated Life: | 45000 Hours |
| Mounting: | Heavy gauge retention clips support trim firmly. Safety cabling standard., Can be mounted on ceiling or wall in all orientations |
| Standards: | ETL, cETL, Energy Star 2.0, Title 24 JA8-2016 Compliant Damp Location Listed |
| Construction: | Durable steel body with thick opal glass |



FINISHES



LINE DRAWING



FM-4006

Fixture Type: _____

Catalog Number: _____

Project: _____

Location: _____

Dice Ceiling Mount

| Model & Size | Color Temp & CRI | Finish | Watt | LED Lumens | Delivered Lumens | Title 24 |
|--------------|------------------|-------------------|------|------------|------------------|----------|
| FM-4009 9" | 2700K 90 | BN Brushed Nickel | 31W | 2750 | 1495 | Yes |
| | 2700K 90 | BZ Bronze | 31W | 2750 | 1495 | Yes |
| | 2700K 90 | CH Chrome | 31W | 2750 | 1495 | Yes |
| | 3000K 90 | BN Brushed Nickel | 31W | 2765 | 1511 | No |
| | 3000K 90 | BZ Bronze | 31W | 2765 | 1511 | Yes |
| | 3000K 90 | CH Chrome | 31W | 2765 | 1511 | No |

Example: **FM-4009-27-BN**

- For 277V special order, add an "F" before the finish: FM-4012F-27-BN
- For alternate color temperature, special order adding -27 or -30 or -35: FM-4012F-27-BN

DESCRIPTION

Thick-walled glass is uniformly illuminated in a design made for LED technology in a square format. Full range dimming control. Mounts as robust ceiling luminaire or a compelling wall sconce.

FEATURES

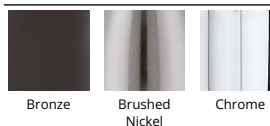
- Etched 3/4" thick pressed glass diffuser with interior ceramic glaze
- Title 24 may not be available for all finishes, check for availability
- ACLED driverless technology
- 5 year warranty

SPECIFICATIONS

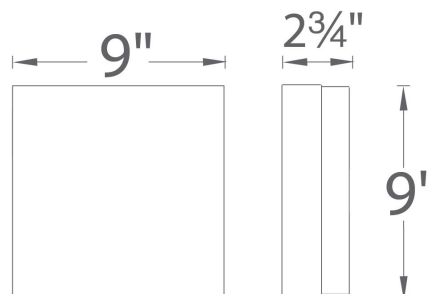
| | |
|----------------------|--|
| Color Temp: | 2700K, 3000K |
| Input: | 120 VAC, 50/60Hz |
| CRI: | 90 |
| Dimming: | ELV: 100 - 10% |
| Rated Life: | 45000 Hours |
| Mounting: | Heavy gauge retention clips support trim firmly. Safety cabling standard., Can be mounted on ceiling or wall in all orientations |
| Standards: | ETL, cETL, Energy Star 2.0, Title 24 JA8-2016 Compliant Damp Location Listed |
| Construction: | Durable steel body with thick opal glass |



FINISHES



LINE DRAWING



FM-4009

Fixture Type: _____

Catalog Number: _____

Project: _____

Location: _____

Dice Ceiling Mount

| Model & Size | Color Temp & CRI | Finish | Watt | LED Lumens | Delivered Lumens | Title 24 |
|--------------|------------------|-------------------|------|------------|------------------|----------|
| FM-4012 12" | 2700K 90 | BN Brushed Nickel | 27W | 2584 | 1096 | No |
| | 2700K 90 | BZ Bronze | 27W | 2584 | 1096 | No |
| | 2700K 90 | CH Chrome | 27W | 2584 | 1096 | No |
| | 3000K 90 | BN Brushed Nickel | 27W | 2668 | 1145 | No |
| | 3000K 90 | BZ Bronze | 27W | 2668 | 1145 | No |
| | 3000K 90 | CH Chrome | 27W | 2668 | 1145 | No |

Example: **FM-4012-27-BN**

- For 277V special order, add an "F" before the finish: FM-4012F-27-BN
- For alternate color temperature, special order adding -27 or -30 or -35: FM-4012F-27-BN

DESCRIPTION

Thick-walled glass is uniformly illuminated in a design made for LED technology in a square format. Full range dimming control. Mounts as a robust ceiling luminaire or a compelling wall sconce.

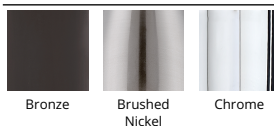
FEATURES

- Etched 3/4" thick pressed glass diffuser with interior ceramic glaze
- Title 24 may not be available for all finishes, check for availability
- ACLED driverless technology
- 5 year warranty

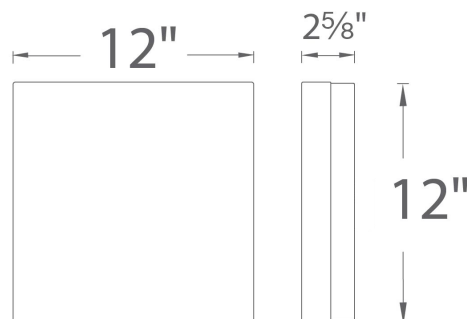
SPECIFICATIONS

| | |
|----------------------|--|
| Color Temp: | 2700K, 3000K |
| Input: | 120 VAC, 50/60Hz |
| CRI: | 90 |
| Dimming: | ELV: 100 - 10% |
| Rated Life: | 45000 Hours |
| Mounting: | Heavy gauge retention clips support trim firmly. Safety cabling standard., Can be mounted on ceiling or wall in all orientations |
| Standards: | ETL, cETL, Energy Star 2.0, Title 24 JA8-2016 Compliant Damp Location Listed |
| Construction: | Durable steel body with thick opal glass |

FINISHES



LINE DRAWING



FM-4012