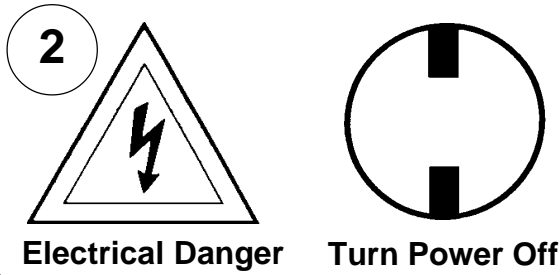


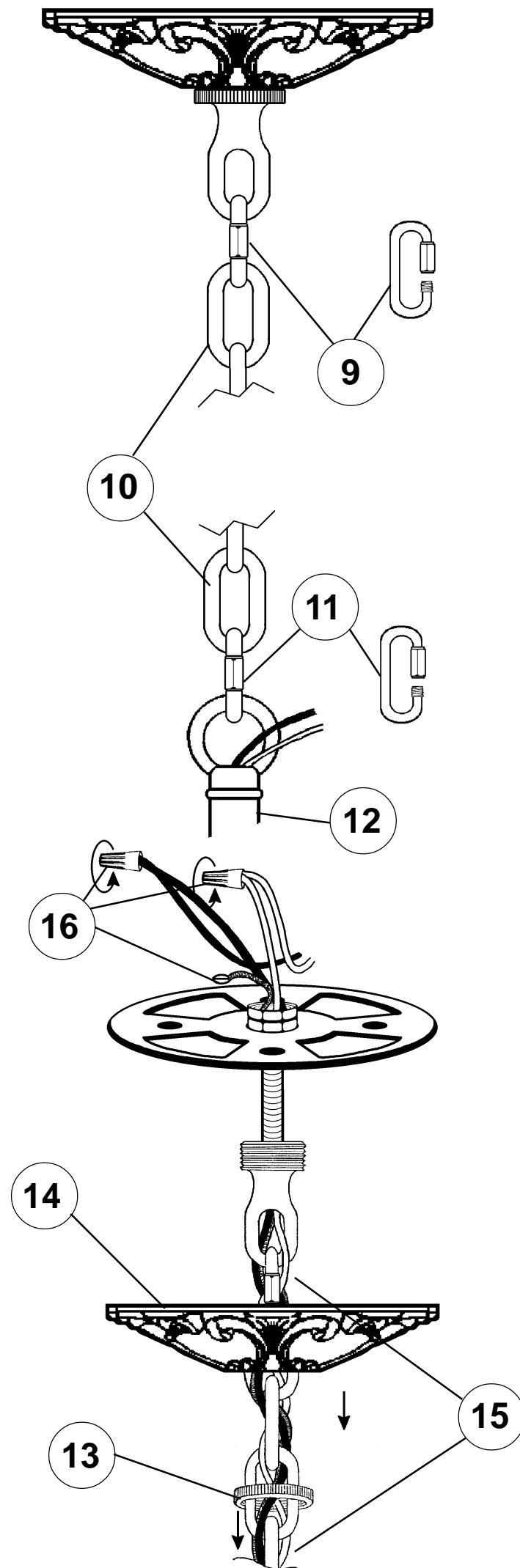
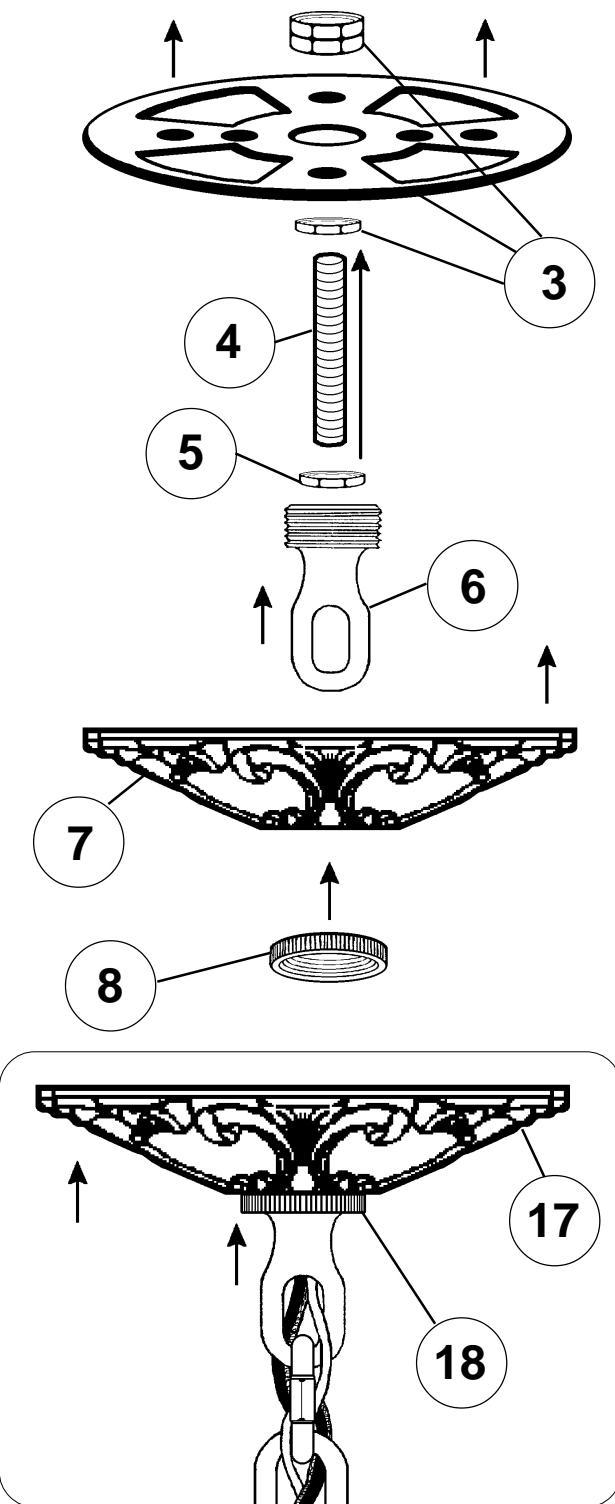
## Instructions for electrician STEPS 2 - 18

**WARNING:** THIS LUMINAIRE MUST BE MOUNTED OR SUPPORTED INDEPENDENTLY OF AN OUTLET BOX.

### WARNING:

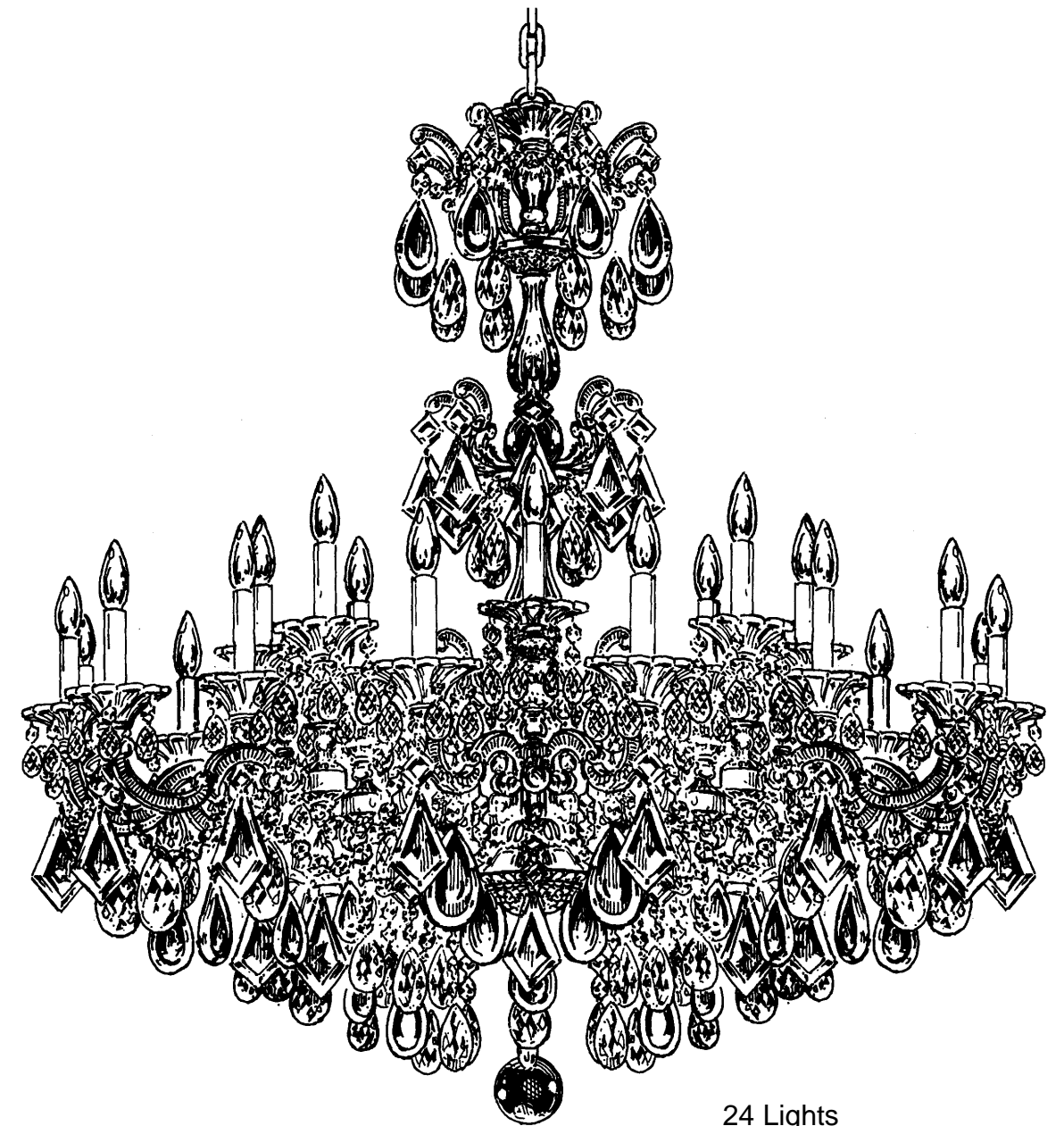


All electrical components must be installed by a licensed electrician in accordance with the National Electric Code and the appropriate local electrical codes.



## CHANDELIER 5013- \_\_\_\_ TRIM DIAGRAM

(Finish Option)



24 Lights  
Diameter: 46"  
Body Length: 48"  
Hanging Weight: 102 lbs.

**T**HIS DESIGN IS THE PROPRIETARY TRADE DRESS/TRADemark OF SCHONBEK WORLDWIDE LIGHTING INC.

# SCHONBEK®

See diagram on back page  
Follow steps in exact order  
Save this trim diagram for future reference

**1** **IMPORTANT**  
Person who opens carton should record the following information for future service.

CODE # \_\_\_\_\_ Four-digit number on outside of carton.  
PACKER # \_\_\_\_\_ See crystal package label.  
ORDER # \_\_\_\_\_ See crystal package label.

# Instructions for crystal trimming STEPS 19 - 45

**STEPS #2 - #18 ON BACK PAGE**

**19** Use lock washer and nut to secure arms in place.

**20** Connect white arm wires to neutral column wire (ribbed or marked is neutral). Connect black arm wires to power wire in column. **NO MORE THAN 5 - WIRES PER WIRE NUT.** Use electrical tape to secure wire nuts. Carefully press wires as close as possible to the underside of both washers.

**21** Attach the washers (top and bottom) with the lock washer and nut. Attach the bottom dish with the rosette and the round nut. Install candle slips and bobeches onto arms.

**Labels:** BOTTOM DISH, ROSETTE, ROUND NUT, TOP WASHER, BOTTOM WASHER

**22** You will need 24 - C10 25 Watts Recommended 60 Watts Max

Install bulbs and be sure to test fixture **BEFORE** trimming.

**HANG CRYSTAL WITH FLAT SIDE TO FRONT**

**32**

Tighten With Tool Provided.

**23** #9940/70/1

**24** #9940/70/1

**25** #9930

**26** #9940/70/1

**27** #9940/70/1

**28** E

**29** F

**30** G

**31** N475-\*\*

**32**

**33** H

**34** J

**35** K

**36** L

**37** Q

**38** #9764/1

**39** O

**40** P

**41** R

**42** S

**43** T

**44**

**45** U

**Labels:** #9764, #9935/1, #9934, #9937, #9764/1, #9764/1, N

