

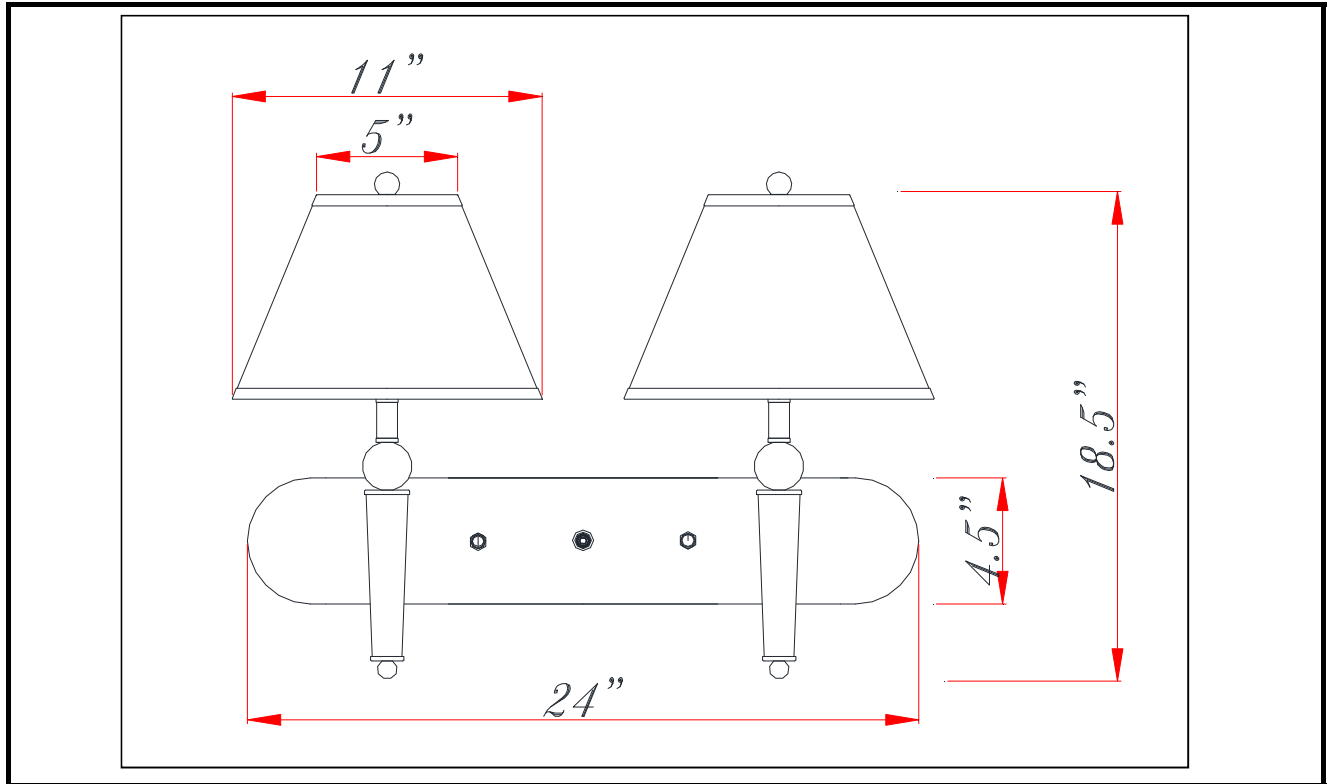


# CAL LIGHTING

3625 E. Philadelphia St. Ontario CA. 91761 • Tel: 909.947.5200 • Fax:  
909.947.5673 • www.calighting.com • service@calighting.com •  
Specifications subject to change without notice

Type: \_\_\_\_\_  
Project: \_\_\_\_\_  
Catalog No.: \_\_\_\_\_  
Lamp/Wattage: \_\_\_\_\_

## Drawing:



**Model No:** LA-60008W2L-1BS  
**Description:** 60WX2 metal wall lamp with 3-way push button switch  
**Material:** Metal+Fabric  
**Finish :** Brushed Steel/Wood Accent  
**Height:** 18.5"  
**Base Width:** 24"x4.5"  
**Harp Size:** 6.5"  
**Wattage :** 60Wx2  
**Socket :** Medium Base (E26)  
**Switch:** 3-way push button switch  
**Bulb:** Incandescent,CFL  
**Power Outlet:** None  
**Ethernet Jack:** None  
**Cord:** SPT-2  
**Cord Length:** None  
**Cord Color:** Black  
**Shade No:** SH-1174  
**Material:** Fabric  
**Shade size:** 5"X11"X8"

**Certificate :**

