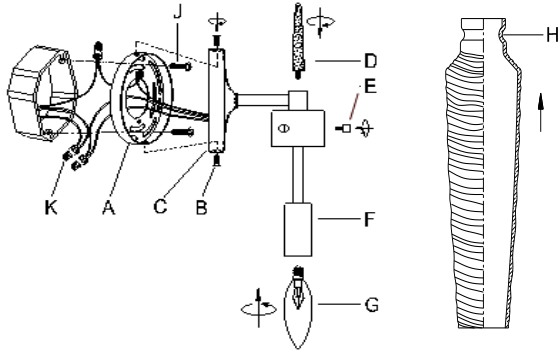


ASSEMBLY INSTRUCTIONS

ITEM DESCRIPTION:

ITEM NO.: 49852	NAME: Omaha Sconce
MATERIAL TYPE: Glass, Iron	FINISH: Frosted, Bronze
SOCKET TYPE: E12	SOCKET QTY: 1
BULB WATTAGE: 60 W	
VOLTAGE: 110-120 V	ITEM NET WEIGHT: 3.5 LBS



PARTS INCLUDED:

Mounting Plate (A)	Qty: 1 Pc
Back Plate Screws (B)	Qty: 2 Pcs
Lamp Body (C)	Qty: 1 Pc
Finial (D)	Qty: 1 Pc
Thumb Screw (E)	Qty: 3 Pcs
Socket (F)	Qty: 1 Pc
Bulb (Not included) (G)	Qty: 1 Pc
Glass Shade (H)	Qty: 1 Pc

HARDWARE INCLUDED:

Mounting Screws (J)
Plastic Wire Connector (K)

TOOLS NEEDED (Not Included):

1 Screwdriver

These instructions are provided for safety. It is very important that they are read carefully and completely before beginning installation of this chandelier.

We strongly suggest that all hard-wired fixtures must be installed by a professional electrician.



TO ASSEMBLE:

1. Shut off the main electrical supply from the main fuse box/circuit breaker.
2. Gently pull the electrical cord from the junction box, then pull the electrical cord from the back plate through the exit hole of the mounting plate (A).
3. Carefully inspect the fixture wires. The neutral fixture wire has very fine ridges molded into its plastic covering. The hot fixture wire has a smooth covering. The bare silver wire is the ground wire.
4. Attach the ground wire from the fixture to the ground junction box wire from the outlet (usually green or bare wire) fasten each together with a plastic wire connector (K) and wrap the connection with electrical tape. If your outlet box does not have a ground wire, insert the green ground screw into the mounting plate (A) facing down, and wrap the fixture's bare ground wire around the ground screw. IT IS IMPERATIVE THAT THE OUTLET BOX IN YOUR HOME BE PROPERLY GROUNDED.
5. Connect the neutral fixture wire to the neutral junction box wire (usually white). Fasten each together with a wire connector (K) and wrap the connection with electrical tape. Be sure no strands are exposed.
6. Connect the hot fixture wire to the hot junction box wire (usually black). Fasten each together with a plastic wire connector (K) and wrap the connection with electrical tape. Be sure no wire strands are exposed. DO NOT REVERSE THE HOT AND NEUTRAL CONNECTIONS OR SAFETY WILL BE COMPROMISED.
7. Gently tuck the wire connections neatly into the junction box.
8. Attach the mounting plate (A) to the outlet box by using the mounting screws (J), and tighten it with a screwdriver.
9. Attach the lamp body (C) to the mounting plate (A) by using the enclosed backplate screws (B). Tighten the screws (B) with a screwdriver.
10. Screw the finial (D) onto the lamp body (C) then tighten.
11. Restore power to junction box and test fixture. DO NOT EXCEED SPECIFIED MAX WATTAGE.

CARE INSTRUCTIONS:

Wipe with a soft, dry cloth. To protect finish, avoid the use of chemicals and household cleaners.

For customer service questions call 1-800-338-2150

ARTERIOS