

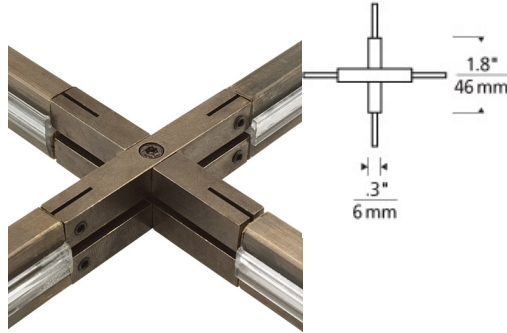
**MonoRail X Connector** T20

**DESCRIPTION**

The "X" connector joins four pieces of MonoRail to form an "X". These connectors are conductive, so you may power the system from any of the runs. At least one standoff must be located near the connector.

**WEIGHT**

1lb / 0.45kg ±



monorail x  
connector

**ORDERING INFORMATION**

**700MOCTX** FINISH

S SATIN NICKEL



**TECH LIGHTING®**

7400 Linder Avenue  
Skokie, Illinois 60077

T 847.410.4400  
F 847.410.4500

Tech Lighting, L.L.C.

700MOCTX \_\_\_\_\_

FIXTURE TYPE: \_\_\_\_\_

JOB NAME: \_\_\_\_\_

NOTES: \_\_\_\_\_

\_\_\_\_\_  
\_\_\_\_\_

