



# CAL LIGHTING

3625 E. Philadelphia St. Ontario CA. 91761 • Tel:  
909.947.5200 • Fax:

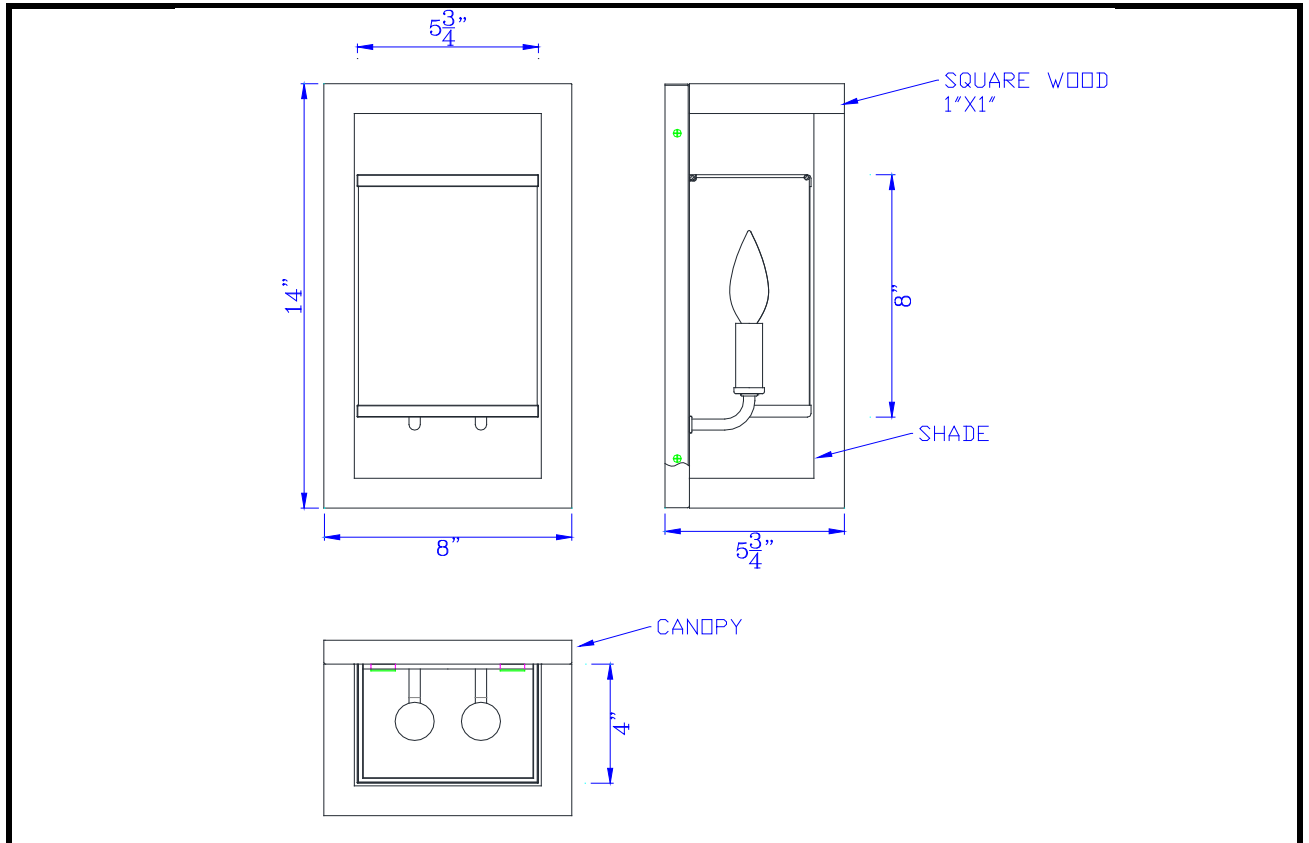
909.947.5673 • www.calighting.com • service@calighting.com •  
Specifications subject to change without notice

Type: \_\_\_\_\_

Project: \_\_\_\_\_

Catalog No.: \_\_\_\_\_

Lamp/Wattage: \_\_\_\_\_



- Model No:** WL-3536-2  
**Description:** 40W x 2 wood wall sconce with organza shade (Edison bulbs not included)  
**Material:** Wood/Metal  
**Finish :** Wood  
**Height:** 14"  
**Width:** 8"  
**Reach/Depth:** 5 3/4"  
**Base Width:** 8"x14"  
**Wattage :** 40WX2  
**Socket :** Candelabra Base ( E12 )  
**Switch:**  
**Bulb:** Incandescent, CFL  
**Wire Length:** /  
**Wire Color:**  
**Shade No:**  
**Material:** Fabric/Organza  
**Shade size:** 8"x4"x5 3/4"  
**Certificate :**



