

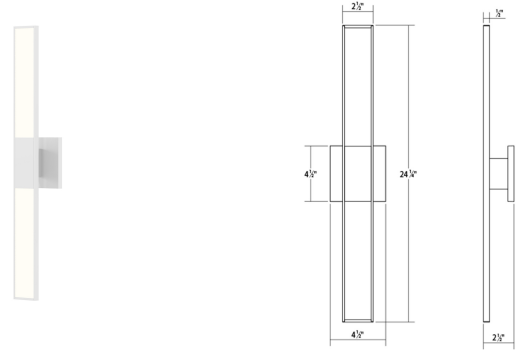
Project:

Planes LED Double Sconce Spec Sheet

SKU: 2682.03 Learn more at:
<https://sonnemanlight.com/planes-led-double-sconce>

Description: Pristine in its geometric simplicity, precisely framed minimal profiles capture technologically advanced edge-lit light panels, producing a high level of efficient LED illumination. Available in single and double versions, Double Planes can be mounted in vertical or horizontal orientations. Also available as a [Sconce](#) and [Pendant](#).

Type #:



Dimensions

Height:	24.25"
Width:	2.5"
Extends:	2.5"
Minimum Extension:	2.5"
Maximum Extension:	2.5"
Size:	24"
Canopy/Backplate/Base Width:	4.5
Canopy/Backplate/Base Depth:	0.5
Canopy/Backplate/Base Height:	4.5

Electrical Specs

Bulb(s) Included?:	Yes
Bulb 1 Type:	Integral LED
Bulb Quantity:	2
Input Voltage:	120VAC
Wattage:	9
Initial Lumens:	970
Delivered Lumens:	250
Color Temperature:	3000K
CRI:	90
Power Supply Type:	Driver
Power Supply Quantity:	1
Power Supply Location:	Outlet Box
Dimming Type:	TRIAC/ELV
Bulb Max Wattage:	9

Installation

Installation:	Licensed electrician required
Installation Orientation:	Any Orientation

Shipping

Carton 1 L x W x H:	28" X 9" X 7"
Carton 1 Gross Weight:	4 LBS

Shade

Shade 1 Material:	Aluminum w/LED Flat Panel
-------------------	---------------------------

Available Finishes

Available Finishes: Bright Satin Aluminum (.16), Satin Black (.25), Satin White (.03)

General Listings

Features:	Damp Rated
Certification:	C-ETL-US
Color/Finish:	Satin White (.03)
Dark Sky Friendly:	N