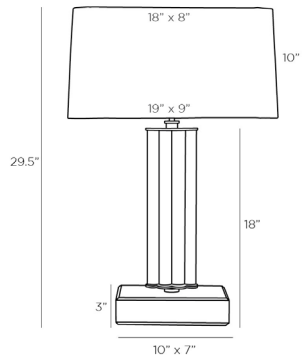


ARTERIOS

ECKART LAMP

JAY JEFFERS



DJ49003-154

H: 29.5 IN, W: 19 IN, D: 9 IN

Clear Crystal, Antique Brass, Ebony Wood
Contract Suitable As Is

There is strength in simplicity. The clear crystal rods are capped in antique brass and grouped together to form a columnar lamp with an ebony oak base. The lamp is topped with an off-white linen rectangular shade with matching lining.

APPEARANCE

Material	Off-White Cotton, Crystal, Iron, Linen, Oak Wood
Material Type	
Finish	Antique Brass, Clear, Ebony, Off-White
Top Coat/Sealant	true
Finial Description	Matching metal
Finial Dimension	1"

DIMENSIONS

Shade	Top: 8 IN, Top: 18 IN, D: 9 IN, W: 19 IN, Side: 10 IN
Body	H: 18 IN
Base	H: 3 IN, W: 10 IN, D: 7 IN
Foot Print	W: 10 IN, D: 7 IN

WIRING

Rating	Indoor Only
Tilt Test	10 Degrees - AU
Cord	8 FT, Back of Lamp Base, SPT-2, Taupe Fabric
Socket	2, Black, Type A - E26
Switch	On Line, On/Off Rotary
Maximum Watt	100
Voltage	110-120 V

CERTIFICATIONS

Certifications	Mexico Australia, United Arab Emirates, United Kingdom, United States, Canada
----------------	--

COMPLIANCY

UL/ETL	Yes
CB	Yes
RoHS	true

SHIPPING

Product Weight	18.4 LBS
Gross Weight 1	15.4 LBS
Gross Weight 2	5 LBS
Shipping Box 1	H: 9.8 IN, L: 28 IN, W: 13.6 IN
Shipping Box 2	H: 12 IN, L: 21 IN, W: 11 IN
Shipping Box 3	H: 0

ADDITIONAL INFO

Shade Shape	Rectangle
Shade Trim	Rolled Edges
Shade Type	Hardback

REPLACEMENT PARTS

Replacement Part 1	DJ49003FIN
--------------------	------------

CONTRACT

Contract Suitable	true
-------------------	------