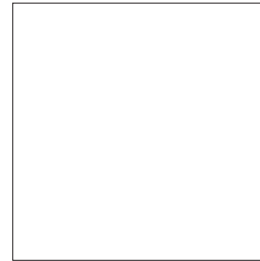
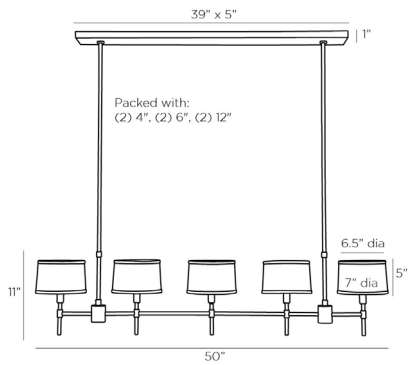


# ARTERIOS

## LUCIANO LINEAR CHANDELIER



89071  
H: 16 IN, W: 50 IN, D: 7 IN  
Bronze  
Contract Suitable As Is

Harnessing traditional elements, the Luciano is a modern classic. A bronze steel linear frame presents five lights, each topped with a white linen shade with a matching bronze band that trims the tops and bottoms of each shade. Additional pipe available (PIPE-486). Damp-rated, although limited covered outdoor areas may affect finish.

### APPEARANCE

Material Linen, Steel  
Finish Bronze, White  
Top Coat/Sealant true

### DIMENSIONS

Shade Top: 6.50 IN, Dia: 7.00 IN, Side: 5 IN  
Chandelier H: 11 IN, W: 50 IN, D: 7 IN  
Minimum Hanging Height 16 IN  
Maximum Hanging Height 38 IN  
Canopy H: 1 IN, W: 39 IN, D: 5 IN

### WIRING

Rating Damp  
Cord 10 FT, Clear/Silver, SVT  
Socket 5, Type B - E12  
Maximum Watt 60  
Voltage 110-120 V

### CERTIFICATIONS

Certifications Mexico  
United States, Canada

### COMPLIANCY

UL/ETL Yes  
RoHS true

### SHIPPING

Product Weight 15 LBS  
Gross Weight 1 20 LBS  
Shipping Box 1 H: 11.6 IN, L: 10 IN, W: 47.44 IN

### REPLACEMENT PARTS

Replacement Part 1 PIPE-486  
Replacement Part 1 Dim (1) 4", (1) 6", (1) 12"  
Replacement Part 2 CANOPY-562  
Replacement Part 2 Dim 1" x 39" x 5"

### CONTRACT

Contract Suitable true