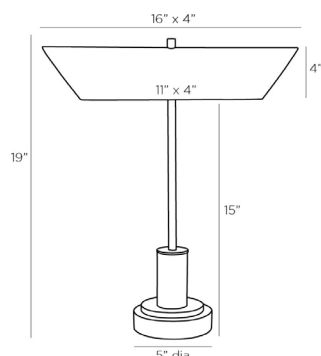


# ARTERIOS

## LANSING LAMP



42039

H: 19 IN, W: 16 IN, D: 5 IN

Vintage Brass, White Marble, Bronze

Contract Suitable As Is

The iconic style of the classic library lamp is beautifully translated in the design of the Lansing. The elongated vintage brass metal shade is perched atop a bronze finished aluminum post, with a white marble base for a dramatic transition of tones and textures. A juxtaposition of materials and shapes is revealed through the linear shade, circular base, and the reeding details found on the finial and body. This lamp features two sockets for increased surface illumination. Finish will vary.

### APPEARANCE

Material	Aluminum, Brass, Marble
Finish	Bronze, Vintage Brass, White
Finish Will Vary	true
Top Coat/Sealant	true

### DIMENSIONS

Shade	Top: 4 IN, Top: 16 IN, D: 4 IN, W: 11 IN, Side: 4 IN
Body	H: 15 IN
Base	H: 1.5 IN, Dia: 5.00 IN
Foot Print	Dia: 5.00 IN

### WIRING

Rating	Indoor Only
Tilt Test	10 Degrees - AU
Cord	10 FT, Back of Lamp Base, Clear/Silver, SPT-2
Socket	2, Clear, Type B - E12
Switch	On Line, On/Off Rotary
Maximum Watt	60
Voltage	110-120 V

### CERTIFICATIONS

Certifications	Mexico Australia, European Union, United Arab Emirates, United States, Canada
----------------	--

### COMPLIANCY

UL/ETL	Yes
CB	Yes
RoHS	true

### SHIPPING

Product Weight	6 LBS
Gross Weight 1	12 LBS
Shipping Box 1	H: 20 IN, L: 9 IN, W: 23 IN

### ADDITIONAL INFO

Shade Shape	Other
Shade Type	Other

### CONTRACT

Contract Suitable	true
-------------------	------