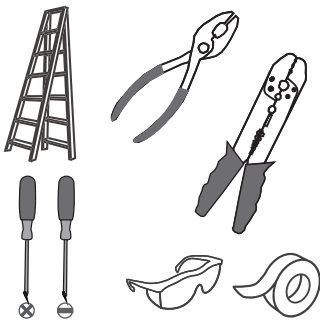
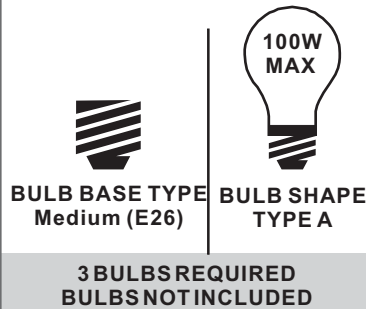


**Tools Required**



**Light Source**



**Warnings and Cautions**

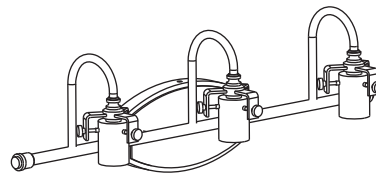
Turn off the electricity at the circuit breaker before installation. Consult a licensed electrician if in doubt about installation.

Turn off power to the fixture and allow the bulbs to cool before replacing.

**Package Contents**

**Preparation:** Identify and inspect all parts before beginning the installation.

Missing or damaged parts? Contact your original place of purchase.



**E** Fixture Body  
x 1

**PARTS BAG**

- A** Mounting Screw x 2
- B** Outlet Box Screw x 2
- C** Wire Connector x 3



**D** Inner Backplate  
x 1

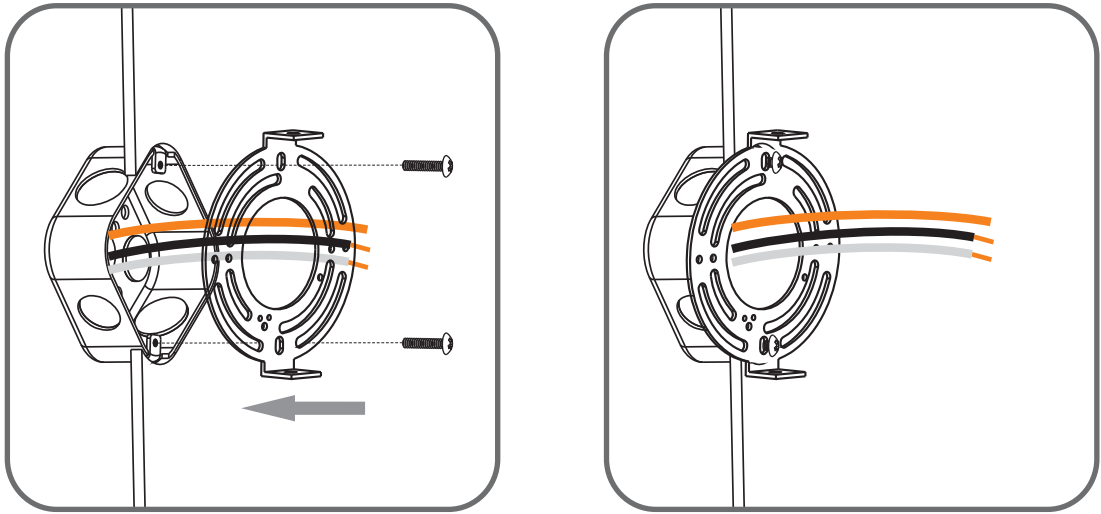


**F** Shade  
x 3

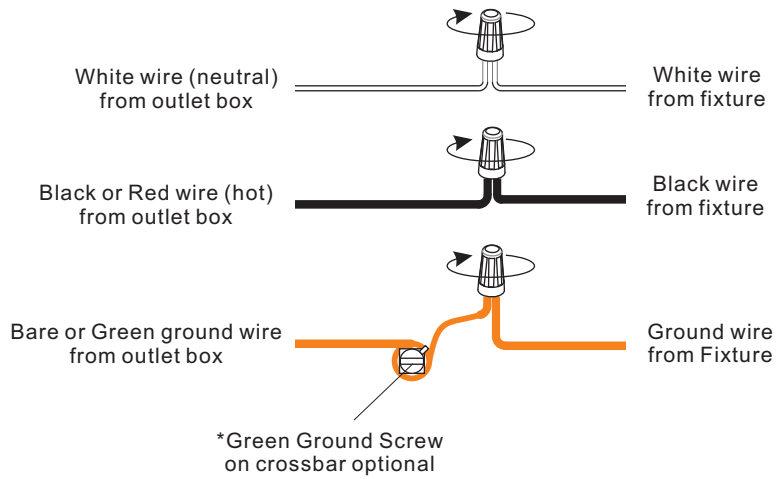
**Table of Contents**

| Inner Backplate | Wiring        | Fixture Body  | Shade & Bulb  |
|-----------------|---------------|---------------|---------------|
|                 |               |               |               |
| <b>STEP 1</b>   | <b>STEP 2</b> | <b>STEP 3</b> | <b>STEP 4</b> |

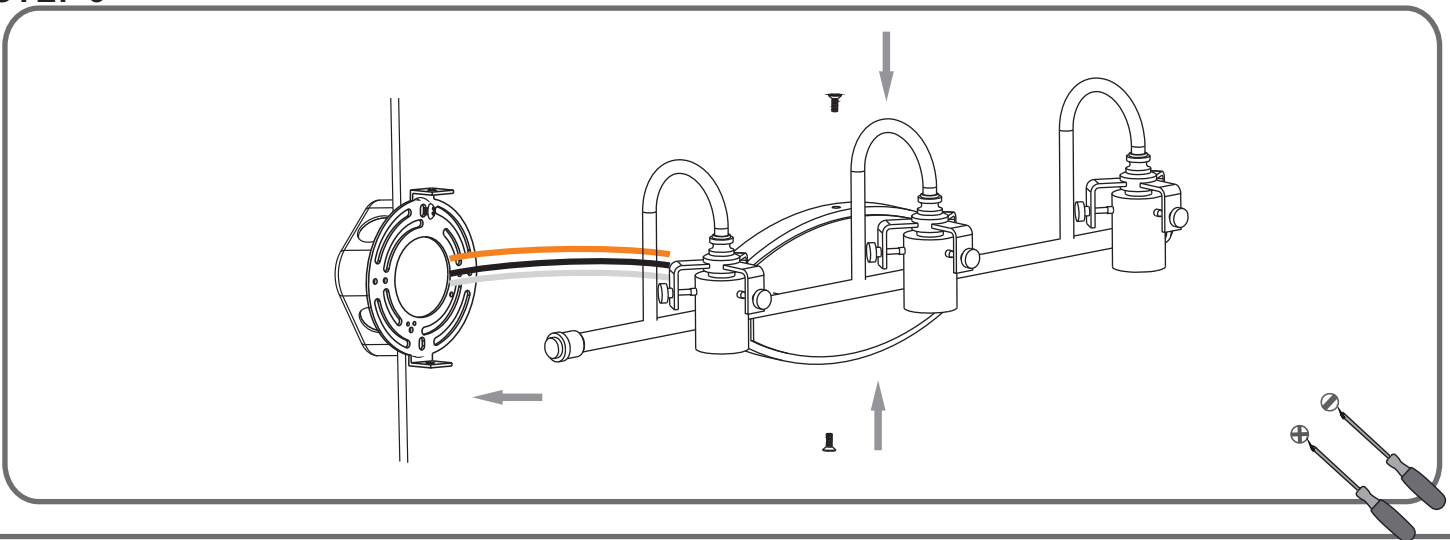
### STEP 1



### STEP 2

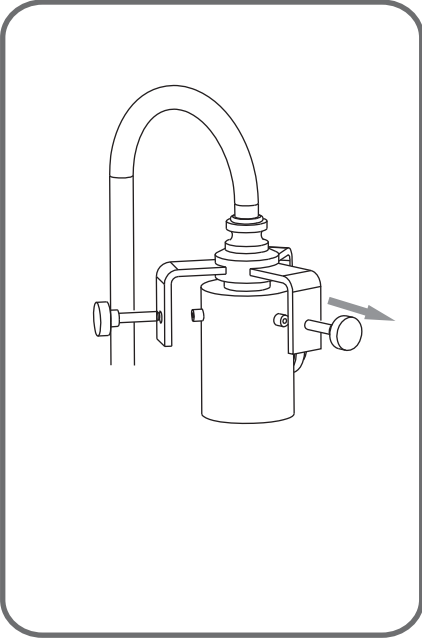


### STEP 3



STEP 4

1



2

