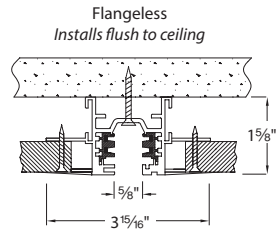
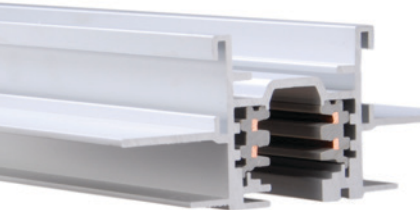
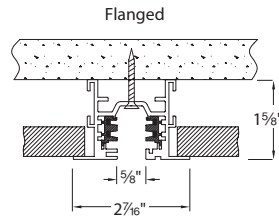


## W Track System - Recessed



Fixture Type:

Catalog Number:

Project:

Location:

### PRODUCT DESCRIPTION

Architectural grade recessed track with flangeless option with two independently controllable circuits.

### FEATURES

- Power per Circuit: 1920W max (120V) , 4432W max (277V)
- Operating Current: Each circuit is rated 20A (2 x 20A = 40A max)
- Extruded aluminum construction
- UL & CUL listed
- 5 year WAC Lighting product warranty

### SPECIFICATIONS

**Materials:** Solid copper alloy bus bars with a rectangular cross-sectional area of 4.2 mm<sup>2</sup>

**Electrical:** Electric feed capability through all jointers/feeders (except Power Connector and Flexible Connector) using standard 1/2 inch knock-outs

**Mounting:** Fixtures may be installed or removed anywhere along the track. Minimum fixture spacing is 1 foot. Track fixture has safety interlocks when installed/removed. Polarization is guaranteed throughout the system

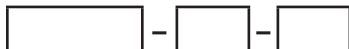
**Finish:** Available in black powder coat (**BK**), white powder coat (**WT**), and platinum anodized (**PT**) finishes

**Standards:** UL & CUL listed

### ORDER NUMBER

Model	Length	Type	Finish
<b>WT</b> 120V	<b>4</b> 4'	<b>RT</b> Recessed Flanged	<b>BK</b> Black
<b>WHT</b> 277V	<b>8</b> 8'	<b>RTL</b> Recessed Flangeless	<b>PT</b> Platinum
	<b>12</b> 12'		<b>WT</b> White

Each section includes two matching end caps.



Example: **WHT4-RT-PT**

waclighting.com  
Phone (800) 526.2588  
Fax (800) 526.2585

Headquarters/Eastern Distribution Center  
44 Harbor Park Drive  
Port Washington, NY 11050


Central Distribution Center  
1600 Distribution Ct  
Lithia Springs, GA 30122

Western Distribution Center  
1750 Archibald Avenue  
Ontario, CA 91760

## W Track System - Recessed

Accessories	Flanged	Flangeless	Model	Voltage	Flanged/Flangeless	Finish	Description
Live End Connector – Left polarity			<b>WEDL</b> <b>WHEDL</b>	120V 277V	<b>RT</b> <b>RTL</b>	Flanged Flangeless	<b>BK</b> <b>PT</b> <b>WT</b>  Use for direct wiring through ceiling.
Live End Connector – Right polarity			<b>WEDR</b> <b>WHEDR</b>	120V 277V			
"I" Connector			<b>WPC</b> <b>WHPC</b>	120V 277V	<b>RT</b>	Universal	<b>BK</b> <b>PT</b> <b>WT</b>  Use to join two sections of track with electrical continuity.
"I" Power Connector			<b>WIC</b> <b>WHIC</b>	120V 277V	<b>RT</b> <b>RTL</b>	Flanged Flangeless	<b>BK</b> <b>PT</b> <b>WT</b>  Power entry point at the connection of two tracks.
"L" Connector – Left			<b>WLLC</b> <b>WHLLC</b>	120V 277V	<b>RT</b> <b>RTL</b>	Flanged Flangeless	<b>BK</b> <b>PT</b> <b>WT</b>  Use to join 2 track sections to make power feedable 90° left polarity turns.
"L" Connector – Right			<b>WRLC</b> <b>WHRLC</b>	120V 277V			
"T" Connector – Left			<b>WLTC</b> <b>WHLTC</b>	120V 277V	<b>RT</b> <b>RTL</b>	Flanged Flangeless	<b>BK</b> <b>PT</b> <b>WT</b>  Use to join 3 track sections. Power feedable. Polarity on outside edge.
"T" Connector – Right			<b>WRTC</b> <b>WHRTC</b>	120V 277V			
"X" Connector			<b>WXC</b> <b>WHXC</b>	120V 277V	<b>RT</b> <b>RTL</b>	Flanged Flangeless	<b>BK</b> <b>PT</b> <b>WT</b>  Use to join 4 track sections. Power feedable.
Track Cover			<b>W8-COV-WT</b>		8 foot W track cover Can be field-cut and painted		

### Track Current Limiter

		Model	Volt	Flanged/Flangeless	Rating	Finish	Description
Live end - Left		<b>WEDL</b> <b>WHEDL</b>	120V 277V	<b>RT</b> <b>RTL</b>	<b>1A</b> 1 Amp <b>2A</b> 2.5Amp <b>5A</b> 5 Amp <b>7A</b> 7.5Amp <b>10A</b> 10Amp <b>12A</b> 12Amp	<b>BK</b> <b>PT</b> <b>WT</b>	Easy to install and assures compliance to California Title 24 or ASHRAE 90.1 requirements
Live end - Right		<b>WEDR</b> <b>WHEDR</b>	120V 277V				

waclighting.com  
Phone (800) 526.2588  
Fax (800) 526.2585

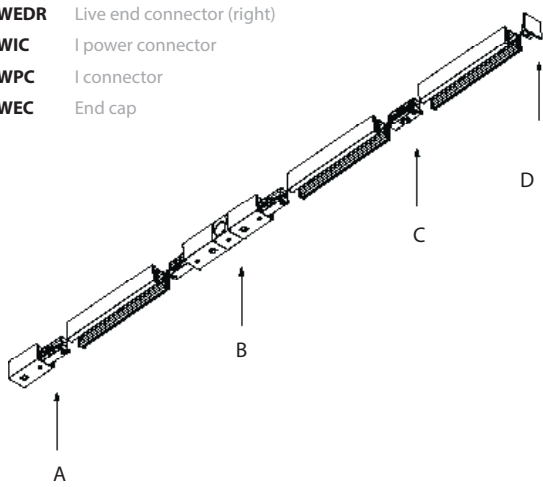
Headquarters/Eastern Distribution Center  
44 Harbor Park Drive  
Port Washington, NY 11050

Central Distribution Center  
1600 Distribution Ct  
Lithia Springs, GA 30122

Western Distribution Center  
1750 Archibald Avenue  
Ontario, CA 91760

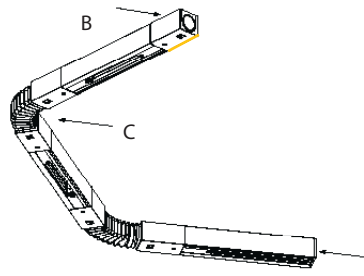
## Straight Configuration

- A WEDR** Live end connector (right)
- B WIC** I power connector
- C WPC** I connector
- D WEC** End cap

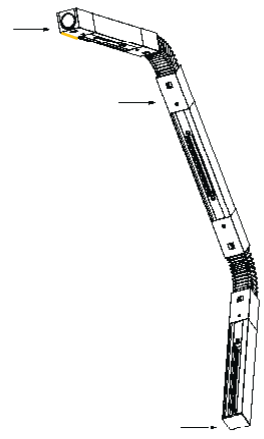


## Flexible Configurations

- A WEDR** Live end connector (right)
- B WEDL** Live end connector (left)
- C WFC** Flexible connector
- D WEC** End cap



Horizontal Ceiling Mount

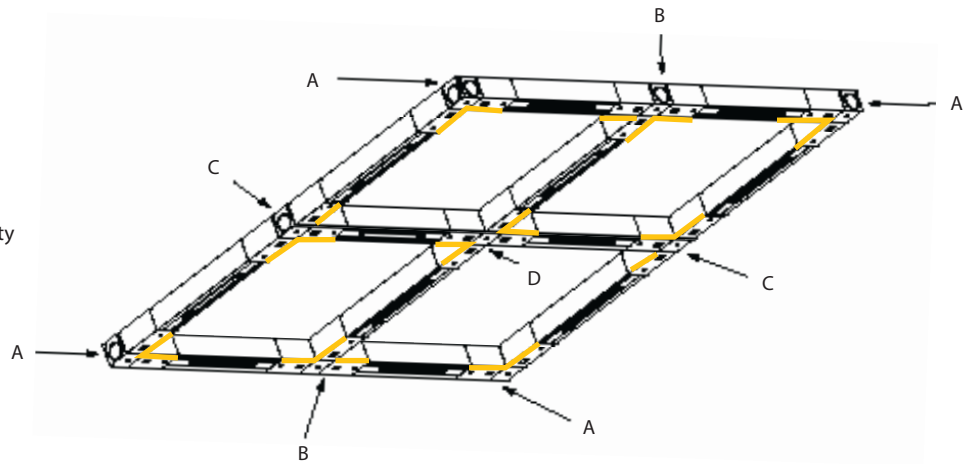


Vertical Wall-to-Ceiling Mount

## Grid Configuration

- A WLLC** L Connector Left
- B WLTC** T Connector Left
- C WRTC** T Connector Right
- D WXC** X Connector

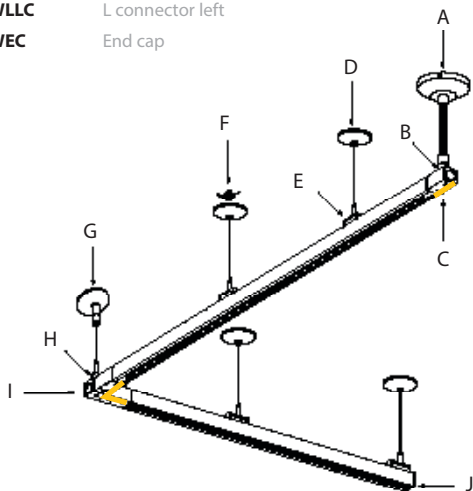
= Indicates Electrical Continuity



## Cable Suspension Mount

- A WMFP** Flexible Stem kit with power feed
- B WMED** Live end suspension mount
- C WEDL** Live end connector (left)
- D WMST-X** Cable suspension kit
- E WMT** Suspension hanger clip
- F WMST-TB** T bar cable suspension kit
- G WMST-XS** Sloped ceiling cable kit
- H WMLC** L connector suspension mount
- I WLLC** L connector left
- J WEC** End cap

Use one support for every 4 feet



## Stem Suspension Mount

- A WMSP** Stem kit with power feed
- B WMED** Live end suspension mount
- C WEDR** Live end connector (right)
- D WMT-XS** Sloped ceiling stem kit
- E WMT** Suspension hanger clip
- F WMT-TB** T bar stem kit
- G WMT-X** Stem kit
- H WMLC** L connector suspension mount
- I WLLC** L connector left
- J WEC** End cap

