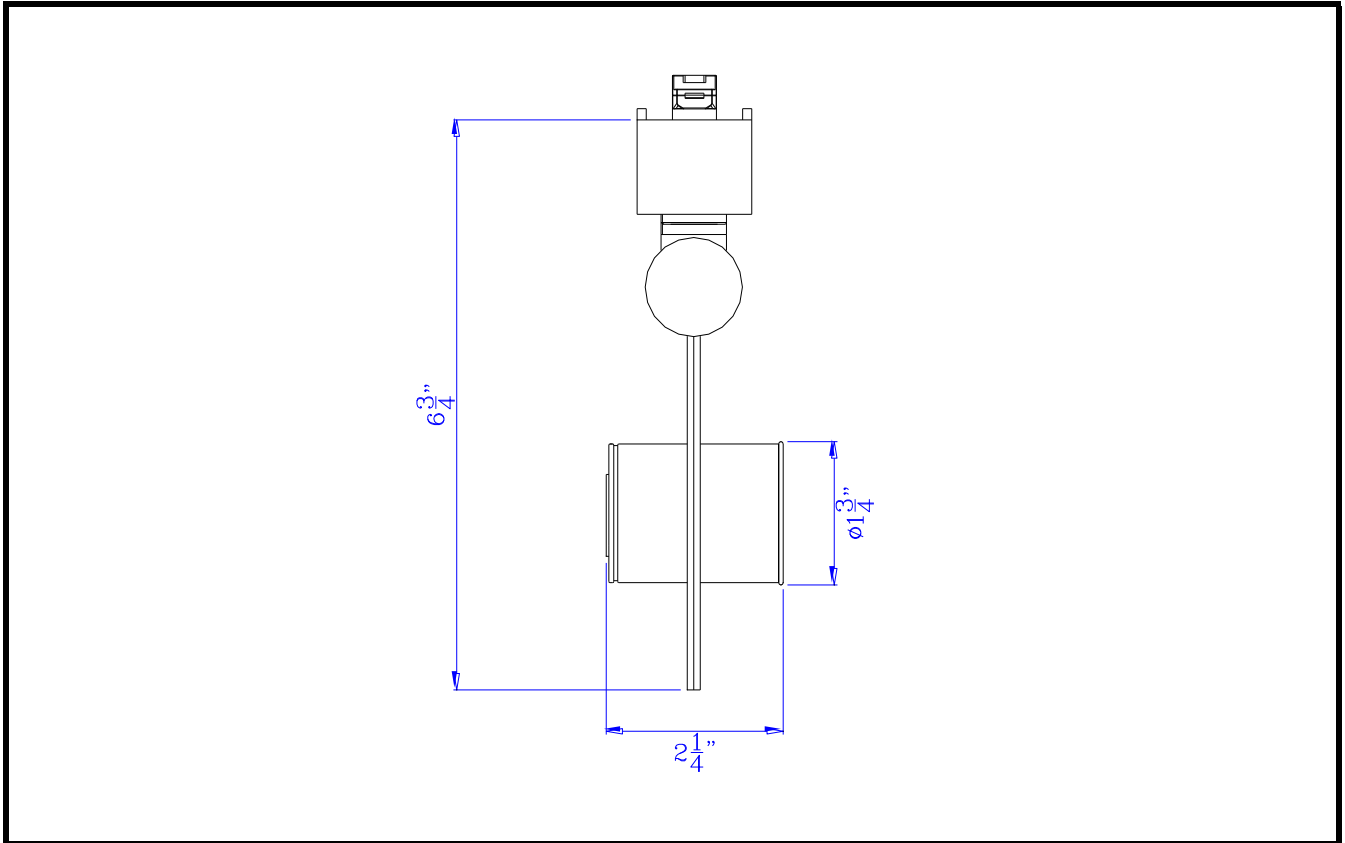




CAL LIGHTING

3625 E. Philadelphia St. Ontario CA. 91761 • Tel: 909.947.5200 • Fax:
909.947.5673 • www.calighting.com • service@calighting.com •
Specifications subject to change without notice

Type: _____
Project: _____
Catalog No.: _____
Lamp/Wattage: _____



Model No. : HT-219-BODY

Rotation : 355 degree

Capability : +90 degree from horizontal

Bulb : PAR20, PAR30, PAR38(halogen)

Socket : Medium base

Voltage : 120V

Wattage : 50W,75W,150W Max depending shade size

Finish : BS (Brushed Steel)

Certificate : 