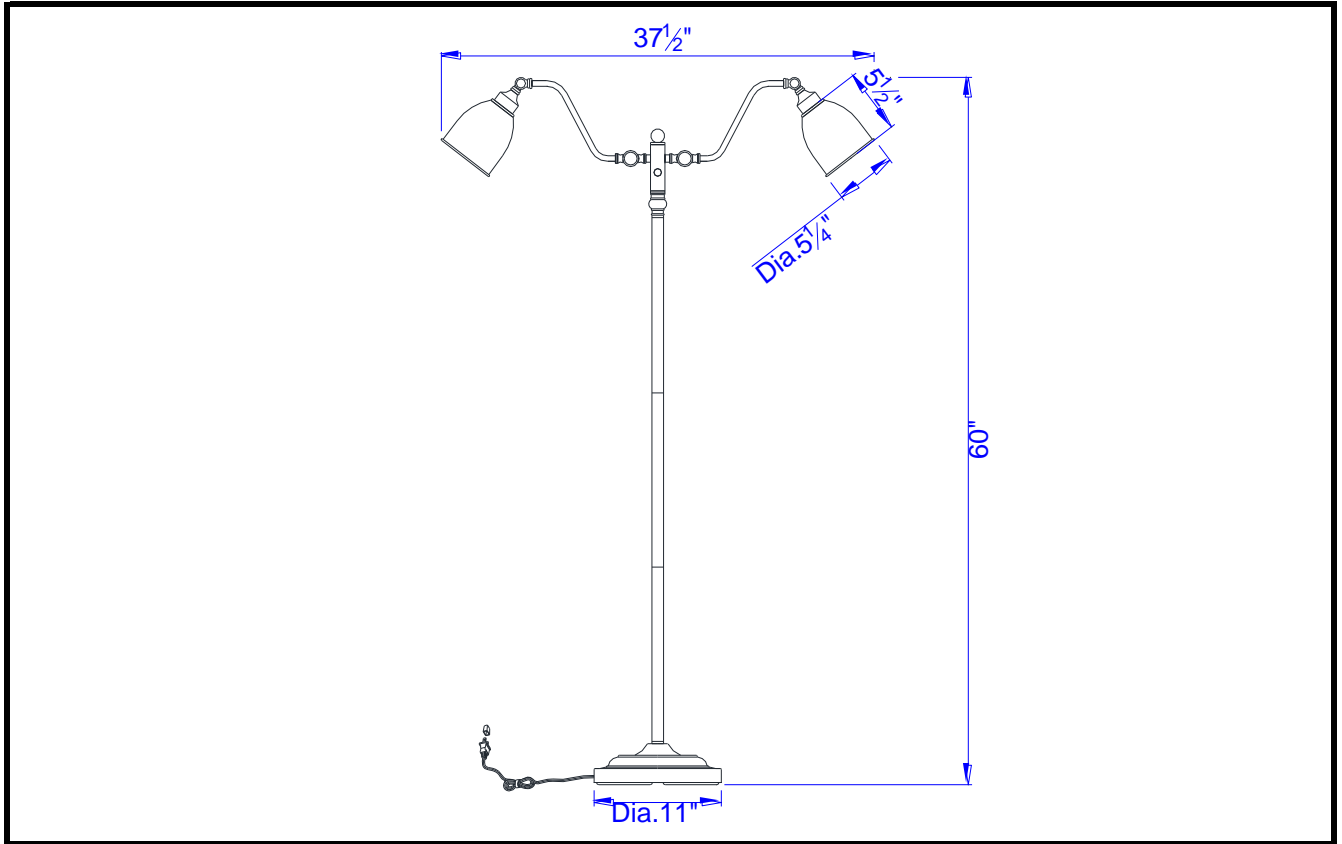




CAL LIGHTING

3625 E. Philadelphia St. Ontario CA. 91761 • Tel: 909.947.5200 • Fax:
909.947.5673 • www.calighting.com • service@calighting.com •
Specifications subject to change without notice

Type: _____
Project: _____
Catalog No.: _____
Lamp/Wattage: _____



- Model No:** BO-2032FL-2L
- Description:** 60W x 2 dual light pharmacy floor lamp with metal shade
- Material:** Metal
- Finish :** BS (Brushed Steel)
- Height:** 60"
- Reach:** 37 1/2"
- Base Width:** Dia.11"
- Wattage :** 60Wx2
- Socket :** Medium Base (E26)
- Switch:** 3-Way
- Bulb:** Incandescent, CFL
- Wire Length:** 6'
- Wire Color:** Silver
- Shade No:**
- Material:** Metal
- Shade size:** Dia.5 1/4"xH 5 1/2"
- Certificate :** 