

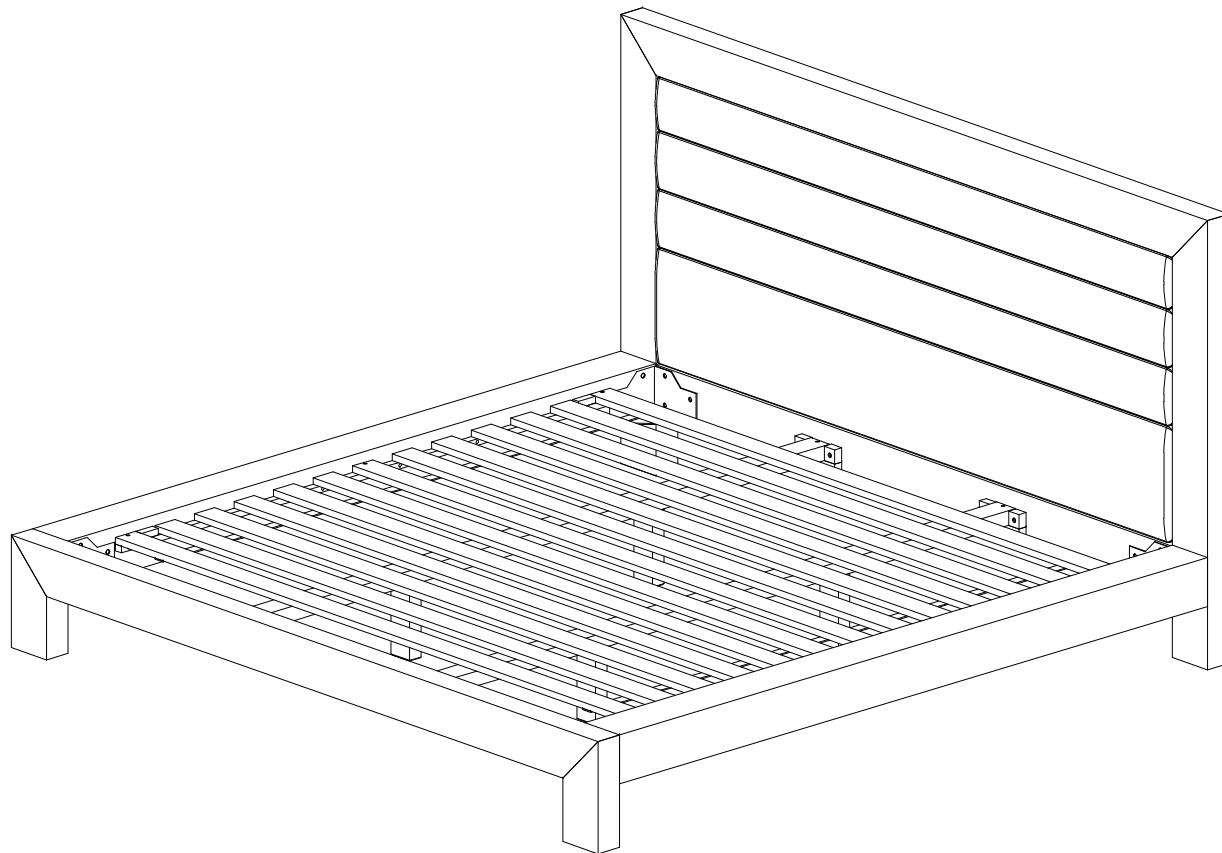
# MOE'S

home collection

## ASSEMBLY INSTRUCTIONS.

ASHCROFT KING BED

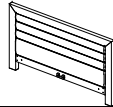

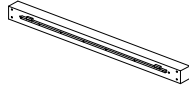
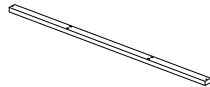


ZT-1031-25








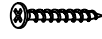
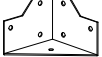
THANK YOU FOR YOUR PURCHASE!

# PARTS AND HARDWARE.

## PART LIST

NO.	DESCRIPTION	IMAGE	Q.ty
P1	HEADBOARD		01
P2	FOOTBOARD		01
P3	SIDERAILS		02
P4	SUPPORT BAR		02
P5	SUPPORT LEGS		04
P6	SLATS		01

## HARDWARE LIST

H1	Bolts	M6x20		24
H2	Bolts	M6x40		08
H3	Lock Washer	M8		32
H4	Plate Washer	M8xØ16		32
H5	Allen Key	K4		01
H6	Screw	Ø4 x 30		10
H7	Iron Plate			04

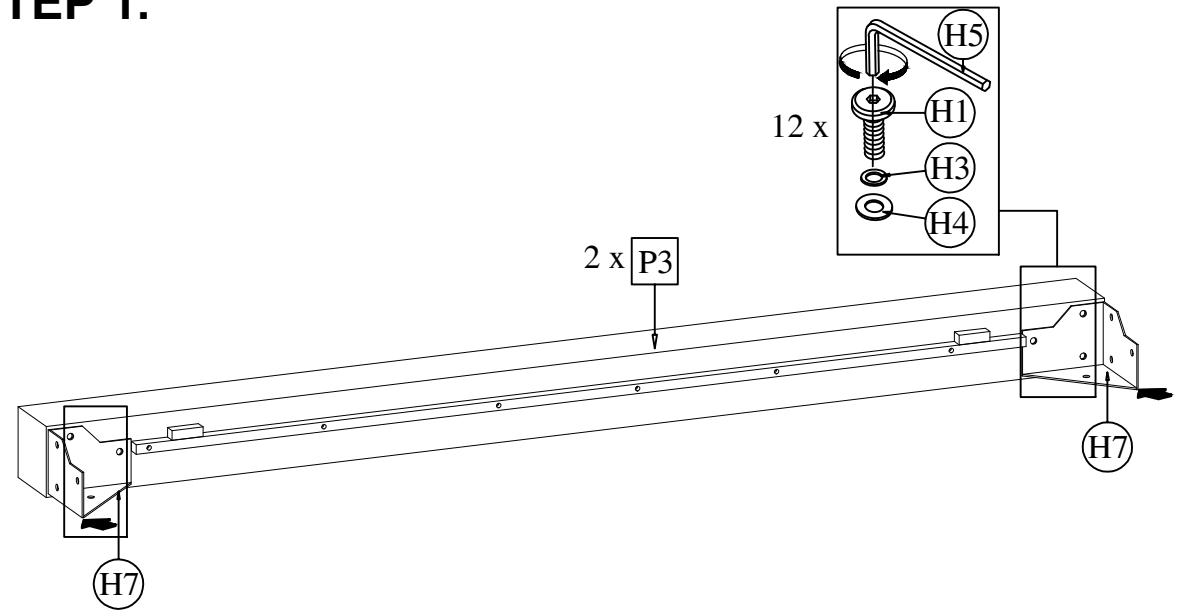
## NOTES.

Thank you for purchasing this quality product!  
Be sure to check all packing material carefully for small part that may have come loose inside the carton during shipping.

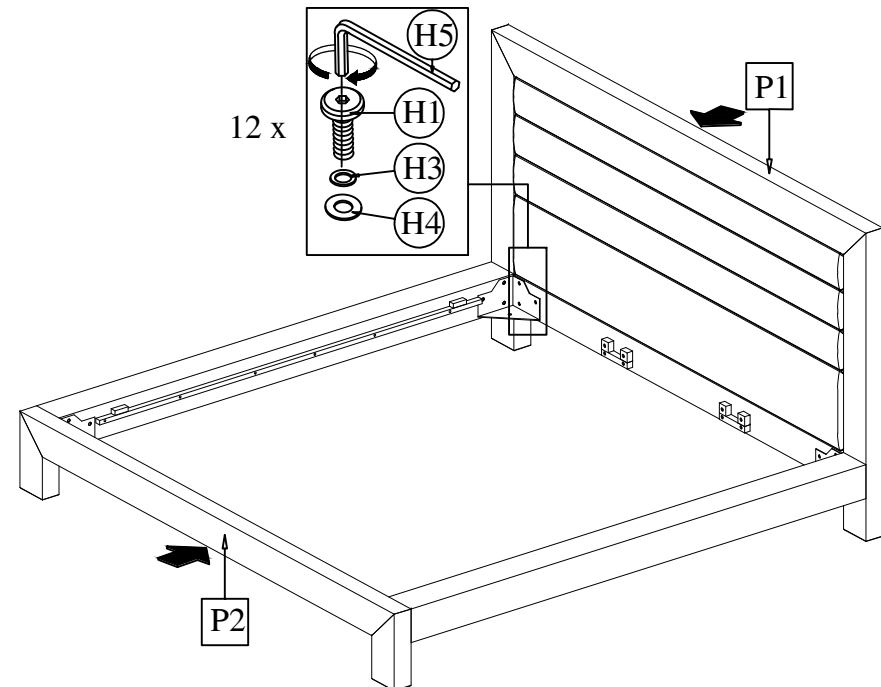
## CAUTION:

The item is heavy, assembly should be performed by two people.

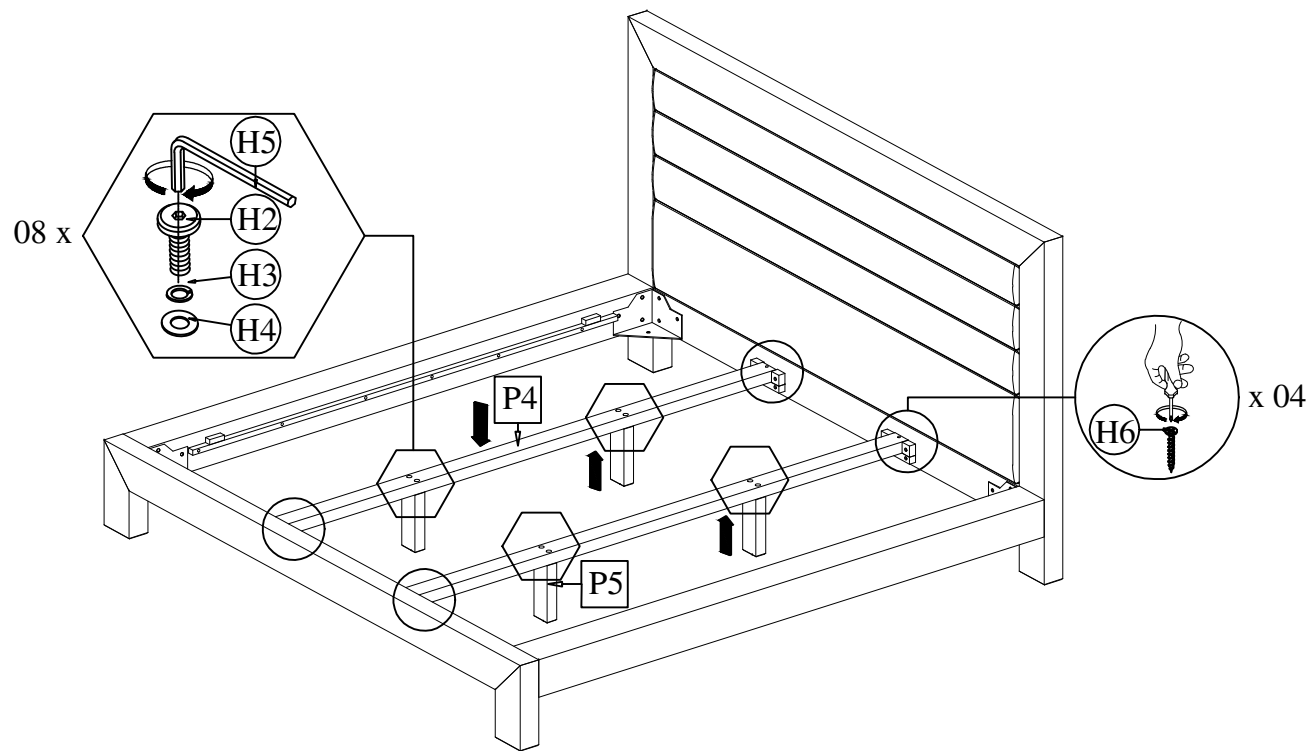
## STEP 1.



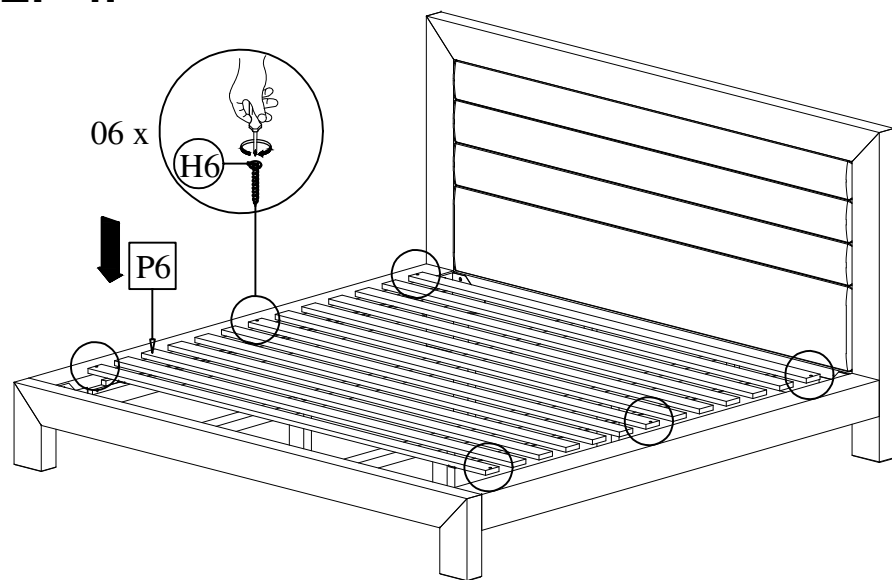
## STEP 2.



### STEP 3.



### STEP 4.



### FINISH.

