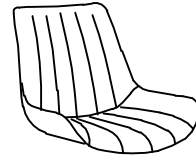


ITEM NO.:  
UU-1010-41

① SEAT



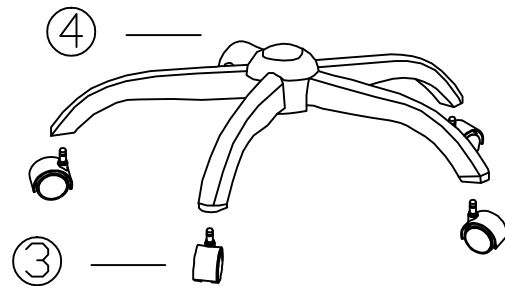
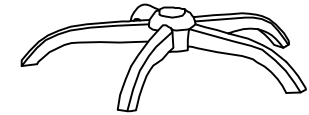
② GASLIFT



③ WHEELS

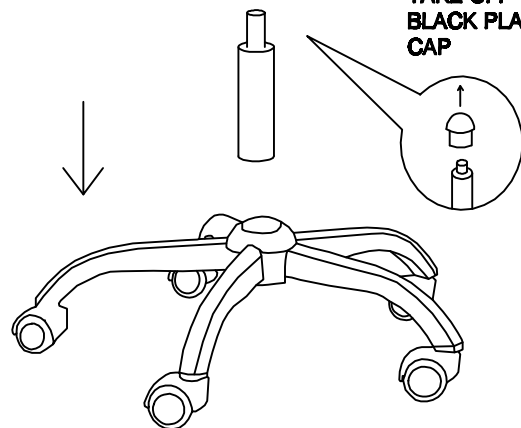


④ BASE



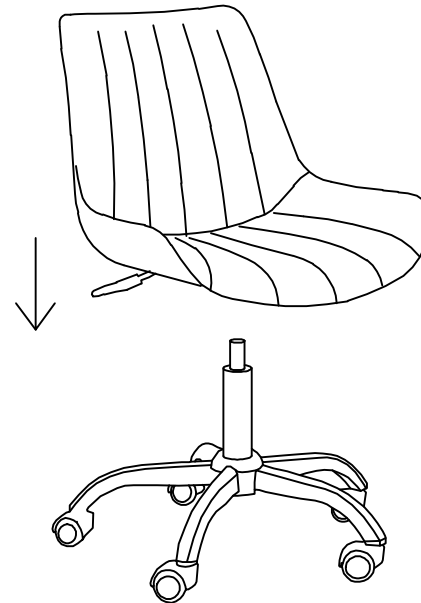
pls insert the  
wheels to the  
holds fully

STEP1



TAKE OFF THE  
BLACK PLASTIC  
CAP

STEP2



STEP3

Assembly Instruction



Notice: No matter to raise or descend the seat height, the lever should be pull upward.