



CAL LIGHTING

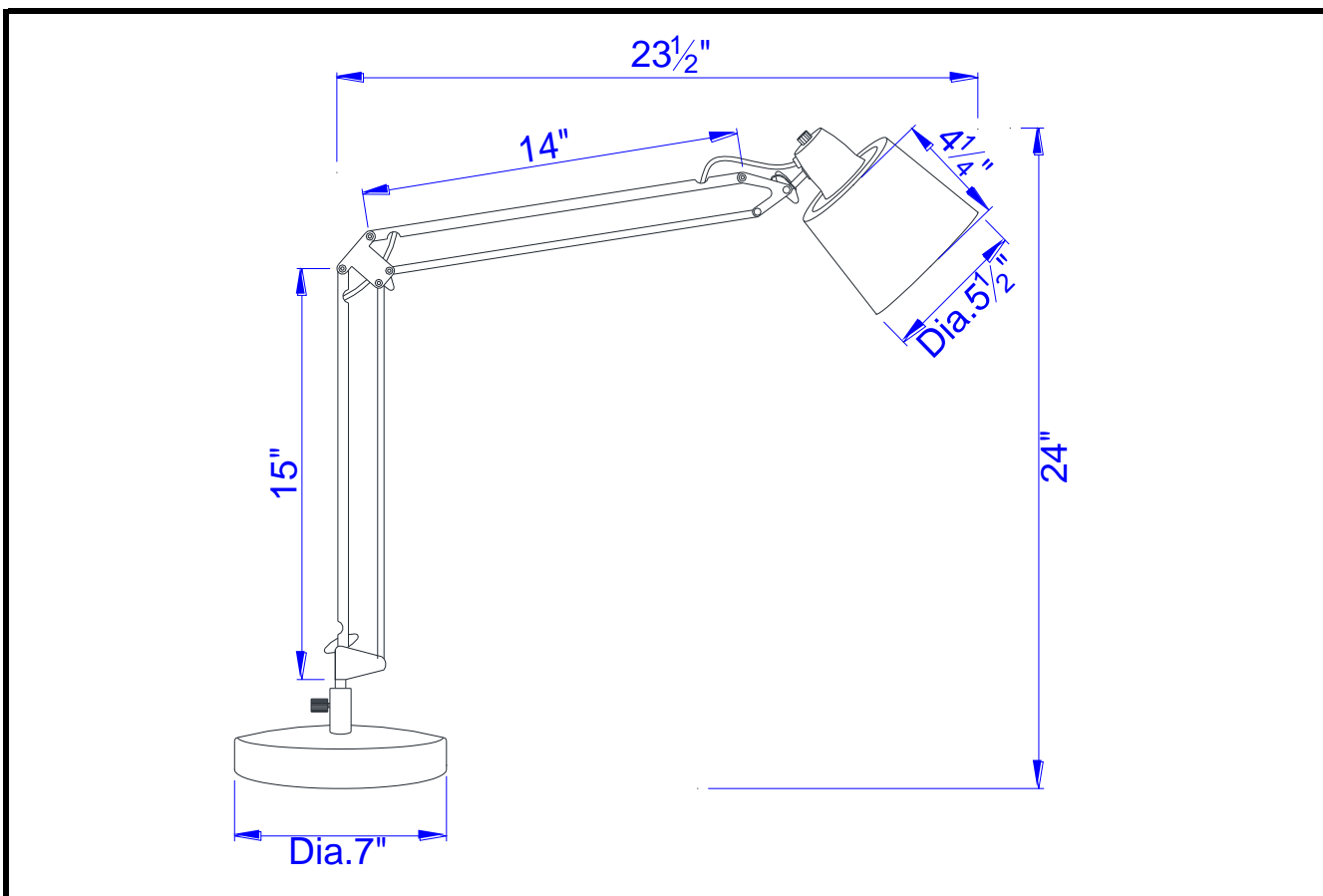
3625 E. Philadelphia St. Ontario CA. 91761 • Tel: 909.947.5200 • Fax:
909.947.5673 • www.calighting.com • service@calighting.com •
Specifications subject to change without notice

Type: _____

Project: _____

Catalog No.: _____

Lamp/Wattage: _____



- Model No:** BO-2165TB
- Description:** Udbina Metal Desk Lamp with Adjustable Arms and Swivel Head
- Material:** Metal
- Finish :** BS (Brushed Steel)
- Height:** 27"
- Base Width:** Dia.7"
- Wattage :** 60W
- Socket :** Medium Base (E27)
- Switch:** On/off
- Bulb:** Incandescent, CFL
- Wire Length:** 6'
- Wire Color:** Silver
- Shade No:**
- Material:** Metal
- Shade size:** 5 1/2"x5 1/2"x4 1/4"

Certificate : 