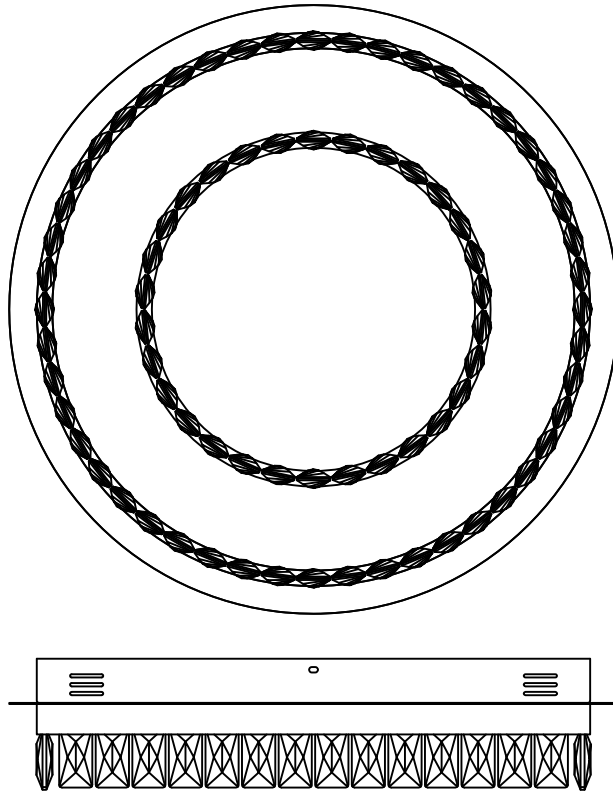




PRODUCT NAME: Icycle LED Flush Mount
ITEM NUMBER:38372BCPC

Please consult your electrician for hanging fixture and wiring.



The fixture is designed to dim with a standard Triac forward phase dimmer. Dimming levels will vary by dimmer.

Below is a list of recommended dimmers:

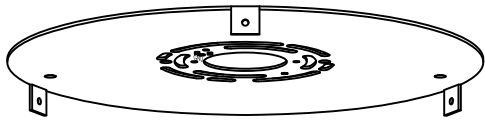
- Lutron MACL-153M
- Lutron DVCL-153P
- Lutron SCL-153P
- Leviton IPL06-10Z
- Leviton 6674-POW

Due to inrush current wattage should not exceed 150 watts of product for a 600 watt dimmer.

Warning! Wires need to be connected to driver found in canopy and should not be connected directly to power source or a short may occur.

Bulb(integrated):LED 42W

IMPORTANT: Turn off the power at the main fuse or circuit breaker box before starting installation



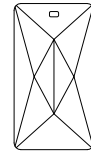
(A)
Mounting Bracket



(B)
Wire Nut

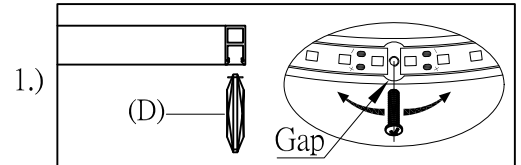
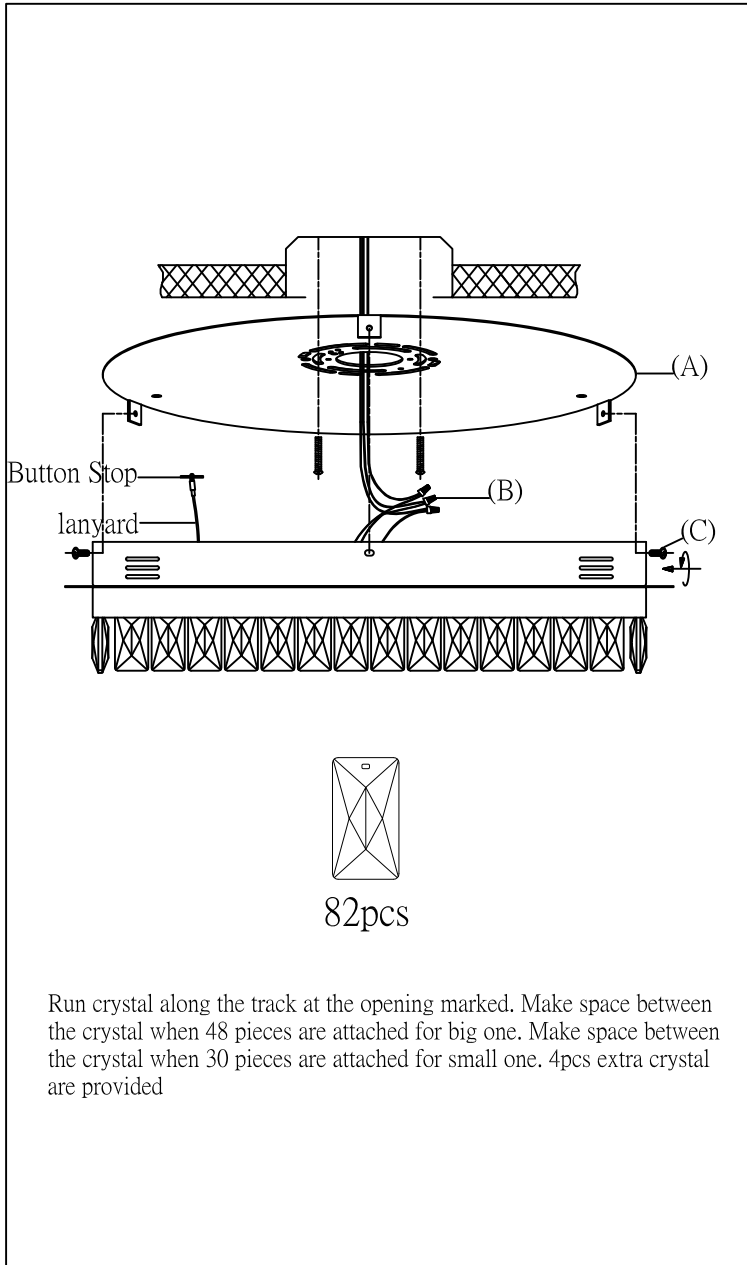


(C)
Screw

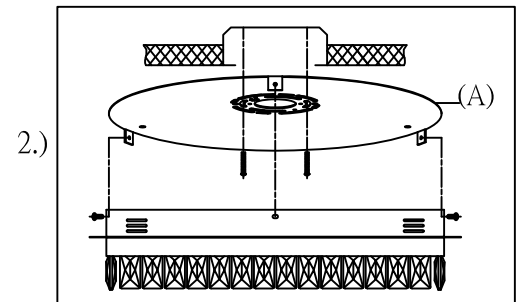


(D)
crystal

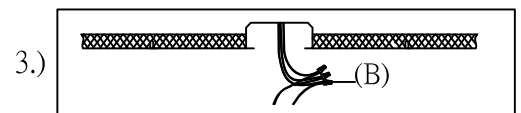
Locate all hardware & components before discarding packaging



Step.1: Please refer to the gap mark, insert the crystal (D) into the Aluminum track, then fixed the screw.

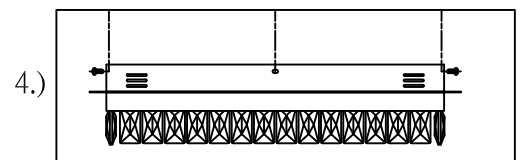


Step.2: Remove mounting bracket (A) from fixture and install to electrical box.



Step.3: The purpose of the lanyard is to provide a means to support the fixture hands free from the junction box while examining the electrical connection.

Wire fixture to wires (B) in outlet box. Copper wire is for Ground.



Step.4: Adjust wire length to desired mounting height, Install lamp body to back plate using two screws (C) on side to secure.

Cleaning & Care:

Clean with soft cloth and a mild detergent.
Do not use abrasive cleaner.