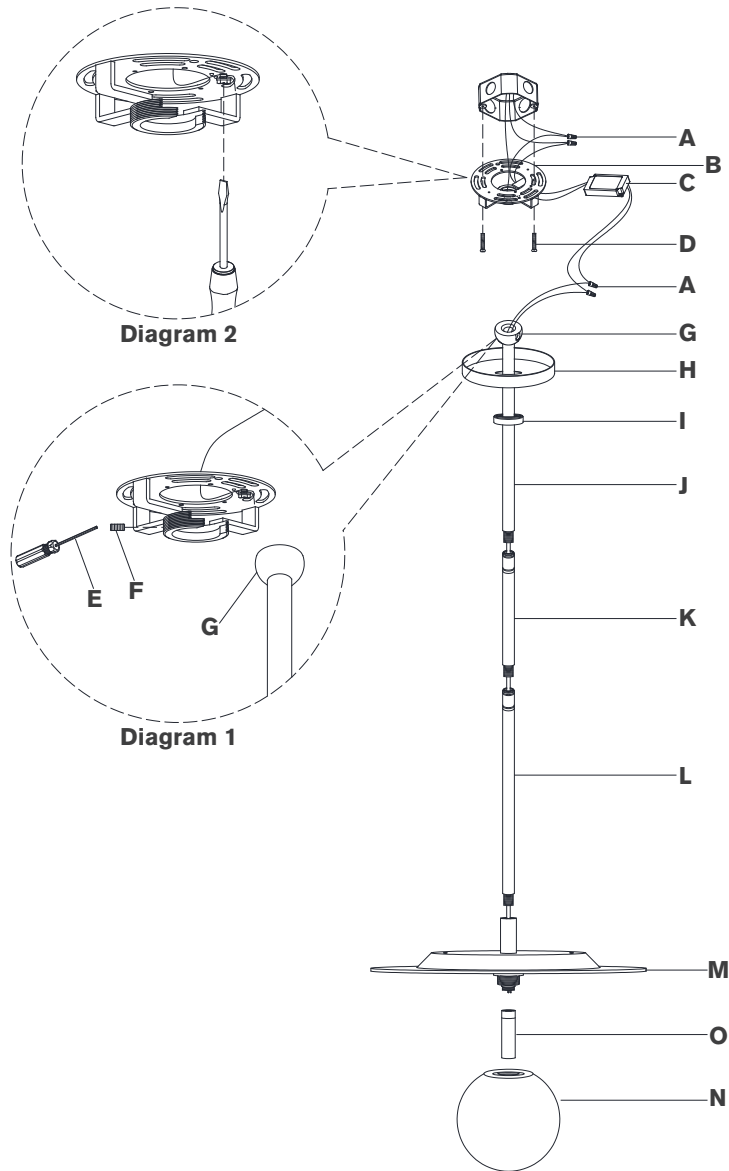


ASSEMBLY INSTRUCTIONS



Pertica 12" Disc Pendant

Item # KW 5525

NOTICE:

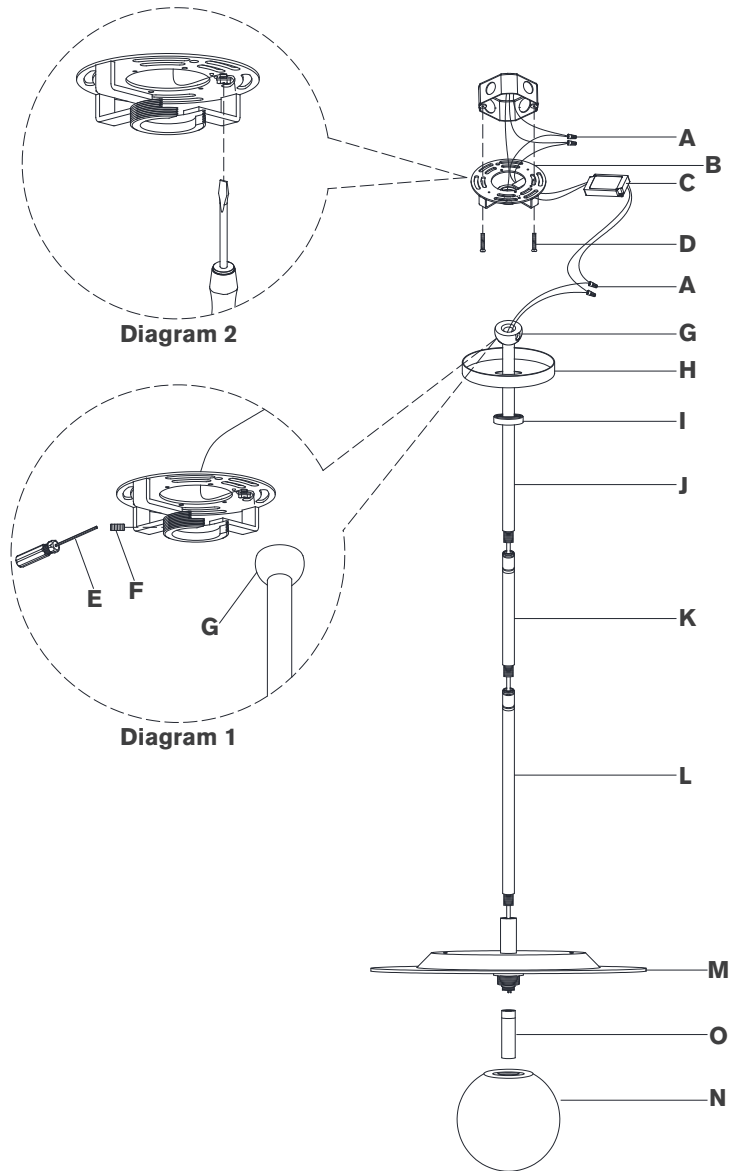
This light fixture should be installed in accordance with all applicable, local installation codes, and by a person familiar with the construction and operation of it, as well as the hazards involved. Inspect item and contents carefully. If any damage or defect is found, do not install. Retain all packaging material until installation is complete and approved.

TOOLS REQUIRED (NOT INCLUDED):

Phillips Screwdriver	Slotted Screwdriver	Wire Cutters
Wire Strippers	Slip-joint pliers	

1. Carefully remove all parts from the box. Place on a clean, soft surface.
2. Remove mounting plate (B) from canopy (H) by removing collar ring (I).
3. Install mounting plate (B) to the junction box and secure with mounting screws (D).
4. Feed electrical wires through bottom rod (L) and thread to fixture (M). Repeat for middle rod (K), connecting to bottom rod (L).
5. Continue feeding wires through collar ring (I), canopy (H) and top rod (J).
6. Holding fixture upright, slide collar ring (I), canopy (H) down rods and rest on fixture (M). Then connect top rod (J) to middle rod (K).
NOTE: Slide components down slowly to avoid damages.
7. Hang fixture swivel ball (G) to center of mounting plate (B) and secure with set screw (F) using provided screwdriver (E). See diagram 1.
8. Cut excess wires, being sure to leave enough to reach the junction box. Separate wires, and strip insulation on each 5/8".
9. Wrap supply ground wire (usually green or bare copper) around the green grounding screw (see diagram 2). Tighten.
NOTE: It is imperative that the fixture is grounded.
10. Connect fixture neutral wire (black) to driver (C) output wire (black) using wire nut (A).

ASSEMBLY INSTRUCTIONS



Pertica 12" Disc Pendant

Item # KW 5525

NOTICE:

This light fixture should be installed in accordance with all applicable, local installation codes, and by a person familiar with the construction and operation of it, as well as the hazards involved. Inspect item and contents carefully. If any damage or defect is found, do not install. Retain all packaging material until installation is complete and approved.

11. Connect fixture hot wire (red) to driver (C) output wire (red) using wire nut (A).
CAUTION: Do not reverse the hot and neutral connections.
12. Connect driver (C) input neutral wire (white) to the supply neutral wire (usually white) using wire nut (A).
13. Connect driver (C) input hot wire (black) to the supply hot wire (usually black) using wire nut (A).
CAUTION: Do not reverse the hot and neutral connections.
14. Make sure all wire connections are tight, then carefully tuck into the junction box.
15. Insert driver (C) into center of mounting plate (B).
16. Install canopy (H) to mounting plate (B) and secure with collar ring (I).
17. Thread LED bulb (O) to fixture (M).
18. Thread shade (N) to fixture (M).
NOTE: Do not over-tighten otherwise shade could become damaged.

Care Instructions: Clean only with a soft dry cloth or feather duster. Do not use abrasive or chemical agents.