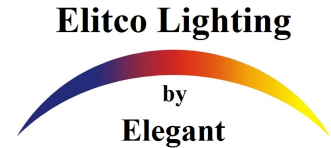


# Elitco Lighting

Headquarter: 500-550 E. Erie Avenue Philadelphia, PA 19134  
Toll-Free:1-888-388-3390 Tel:(215)423-8880 Fax:(215)423-8882



## INSTALLATION INSTRUCTIONS READ THIS FIRST KEEP THIS INSTRUCTIONS

**MODEL: D011**

Please read this instruction carefully. Luminaires must be installed in accordance with the National Electrical Code (NEC) and local codes. Failure to do so will void the warranty and may result in serious injury and/or damage to the luminaire.

**SAFETY WARNING:** Luminaire can become very hot depending on lamp wattage used. Lens and metal around lamp can become hot enough to blister hands. Particular care should be taken not to locate luminaires where small children can reach them if high wattage lamps are used.

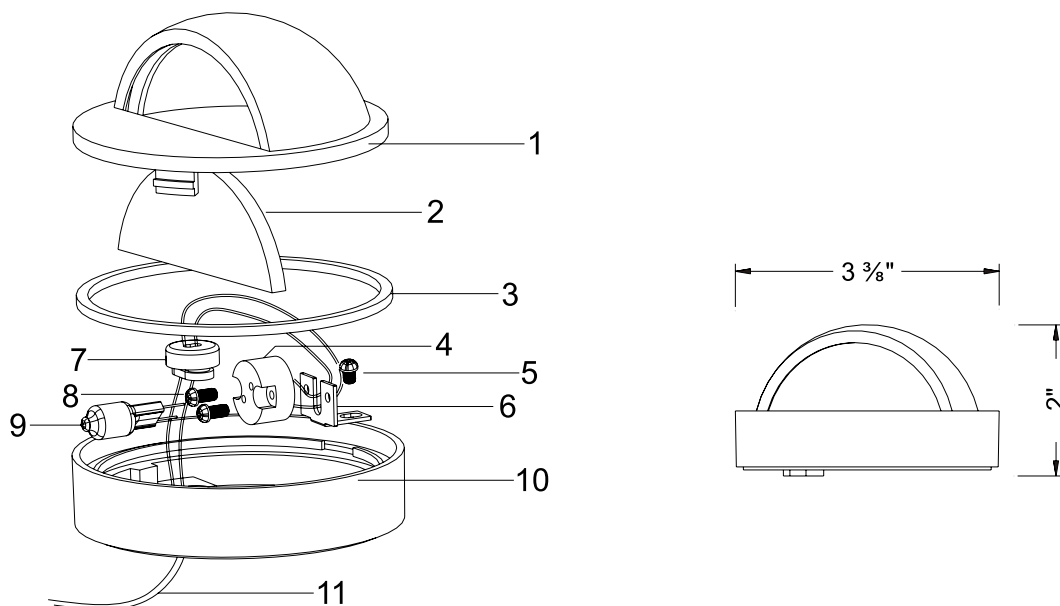
**NOTE: LUMINAIRES ARE NOT TO BE INSTALLED WITHIN 10 FT. (3.05M) OF A POOL OR SPA. SECONDARY CABLE IS NOT TO BE BURIED MORE THAN 6". WHEN USING MULTIPLE LUMINAIRES, LOAD IS NOT TO EXCEED THE TOTAL WATTS OF TRANSFORMER RATING. DO NOT USE EXTENSION CORDS ON POWER UNITS.**

**NOTE: Always use UL recognized wire connectors for connections. LUMINAIRE IS FOR ABOVE GROUND INSTALLATION ONLY.**

## ASSEMBLY AND INSTALLATION

1. Determine desired location for mounting Luminaires.
2. Hold the cover and screw out.  
Note: For the first time Screw the cover left and right to make the cover loose.
3. Position the body on final mounting location and mark hole locations for mounting screws.
4. Drill pilot holes for mounting screws (by others).
5. Install backplate on final location and secure tightly with two mounting screws (by others).  
Note: The lead wire go under wire gap of the body.
6. Install a G4 Lamp on the socket and screw the cover on the body.  
Note: Make the cover in the right position. The glass should be downward, not upward.
7. TURN OFF POWER.
8. Make wire connections using approved wiring connection method (not supplied).

## FIXTURE DETAILS:



1. Cover    2. Flat Glass    3. Gasket    4. Socket    5. Bracket Screw    6. Bracket  
7. Rubber Plug    8. Socket Screw    9. G4 Lamp    10. Body    11. SPT1W-18 WIRE

## IMPORTANT SAFETY INSTRUCTIONS

### THE LIGHTED LAMP IS HOT!!

WARNING: TO REDUCE THE RISK OF FIRE, OR INJURY TO PERSONS:

1. Turn off/unplug and allow to cool before replacing lamp.
2. Lamps get hot quickly! Contact only switch/plug when turning on.
3. Do not touch hot lens, guard or enclosure.
4. Keep lamp away from material that may burn.
5. Do not touch the lamp at any time. Use a soft cloth. Oil from the skin may damage lamp.
6. Do not operate luminaire fitting with a missing or damaged cover.

## LAMP INSTALLATION/REPLACEMENT:

CAUTION: Do not exceed maximum wattage marked on luminaire label.

1. To prevent electrical shock, disconnect transformer from electrical supply before service.
2. Screw cover out to expose lamp.
3. Replace lamp with correct wattage and type marked on fixture label.
4. Re-install the cover in right position and make sure the glass downward.

NOTE: Do not operate luminaire fitting with a missing or damaged cover.