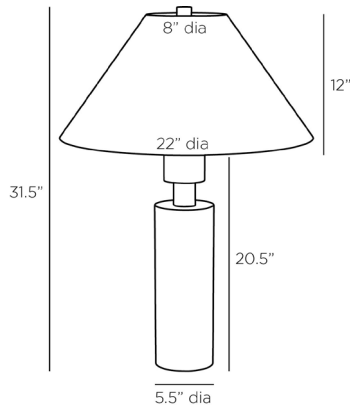


# ARTERIOS

## BLAZI LAMP



PTI08-671

H: 31.5 IN, Dia: 22.00 IN

Hot Rolled Steel, Iron

Contract Suitable As Is

Craftsmanship at its finest, hot rolled steel is shaped into towered cylinders. Burnished to an oxidized finish, its impactful base perfectly complements a tapered shade of ivory microfiber. Finished with a clear silver cord and three-way rotary switch. Finish will vary.

### APPEARANCE

Material	Cotton, Iron, Microfiber
Finish	Ivory, Off-White
Finish Will Vary	true
Top Coat/Sealant	true
Finial Description	Matching Hot Rolled Steel Cylinder
Finial Dimension	2"x1.5" Cylinder

### DIMENSIONS

Shade	Top: 8.00 IN, Dia: 22.00 IN, Side: 12 IN
Body	H: 20.5 IN, Dia: 5.50 IN
Neck	H: 1 IN, Dia: 1.00 IN
Foot Print	Dia: 5.50 IN
Harp	7.5 Antique Brass IN

### WIRING

Rating	Indoor Only
Tilt Test	10 Degrees - AU
Cord	10 FT, Back of Lamp Base, Clear/Silver
Socket	1, Antique Brass, Type A - E26
Switch	3-Way Rotary, At Socket
Maximum Watt	150
Voltage	110-120 V

### CERTIFICATIONS

Certifications	Mexico Australia, United Arab Emirates, United Kingdom, United States, Canada
----------------	--

### COMPLIANCY

UL/ETL	Yes
CB	Yes
RoHS	true

### SHIPPING

Product Weight	4.1 LBS
Gross Weight 1	11 LBS
Shipping Box 1	H: 27 IN, L: 9 IN, W: 9 IN
Shipping Box 2	H: 30 IN, L: 18.5 IN, W: 18.5 IN

### ADDITIONAL INFO

Shade Shape	Round
Shade Trim	Rolled Edges
Shade Type	Hardback

### REPLACEMENT PARTS

Replacement Part 1	PTI08FIN
Replacement Part 1 Dim	2"x1.5"

### CONTRACT

Contract Suitable	true
-------------------	------