

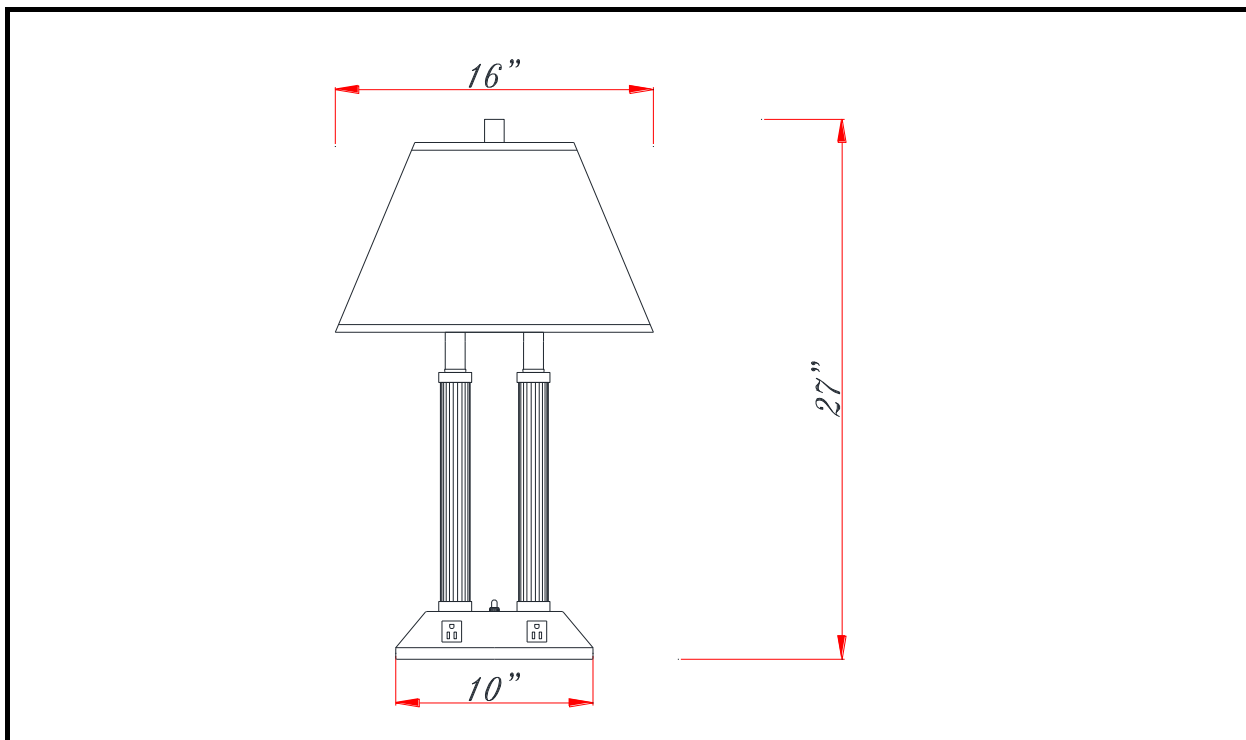


# CAL LIGHTING

3625 E. Philadelphia St. Ontario CA. 91761 • Tel: 909.947.5200 • Fax:  
909.947.5673 • www.calighting.com • service@calighting.com • Specifications  
subject to change without notice

Type: \_\_\_\_\_  
Project: \_\_\_\_\_  
Catalog No.: \_\_\_\_\_  
Lamp/Wattage: \_\_\_\_\_

Drawing:



**Model No:** LA-8003DK-1CH  
**Description:** 60WX2 Metal night stand lamp with 3-way push button base switch  
**Material:** METAL  
**Finish :** Chrome  
**Height:** 27"  
**Base Width:** 5"x10"  
**Harp Size:** None  
**Wattage :** 60WX2  
**Socket :** Medium Base (E26)  
**Switch:** 3-way push button base switch  
**Bulb:** Incandescent, CFL  
**Power Outlet:** 2  
**Ethernet Jack:** None  
**Cord:** SVT 18#  
**Cord Length:** 6'  
**Cord Color:** Black  
**Shade No:** SH-1331  
**Material:** Fabric  
**Shade size:** (5" +8")x(11"+16")x10.5"

**Certificate :**

