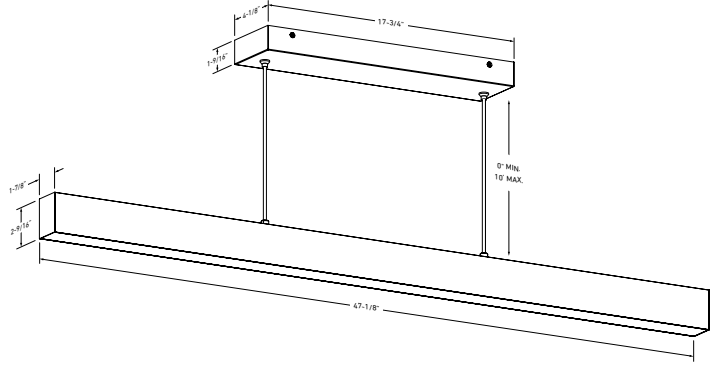


MODEL NAME **LNPD48-CC**
BOULEVARD PENDANT
48" linear pendant

The Boulevard series, a linear light fixture perfect for general office, home, and shop illumination. Can be interconnected to produce striking visual effects.



PROJECT: _____ **TYPE:** _____

DATE: _____ **QTY:** _____

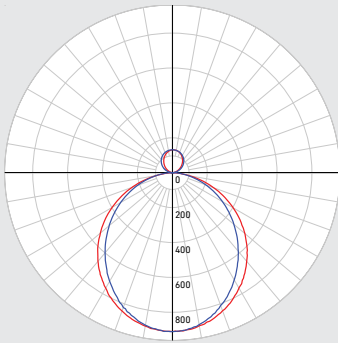
NOTES:

QUICK SPECS

SIZE	WATTS	DELIVERED LUMENS*	COLOR °T 5CCT	CRI	VOLTAGE	BEAM ANGLE	LIGHT DIRECTION	FINISH
48"	40W	Total: 2805lm Up: 337lm Down: 2468lm	2700K 3000K 3500K 4000K 5000K	93.5	120V	105°	Up/down: 12% Up 88% Down	● Black

*Lumen output measured at 3000K

LIGHT DISTRIBUTION



CONSTRUCTION

Lens Frosted	Finish type Powder coated	Type of LED SMD
Lens material PC	Housing material Aluminium extrusion	Mounting Octo Jbox

RATINGS

Placement Indoor	Lifespan 50,000 hrs.	IP rating IP20
Location Dry	Certifications ES, ETL, FCC, ICES, T20, T24	Operating temperature -20° to 40° C

WHAT'S IN THE BOX

- LED linear pendant
- Mounting bracket
- Mounting hardware
- Wire nuts
- Instruction sheet

ACCESSORIES

LNACC-L16FT
16-foot lens for Boulevard series pendants and recessed linears

ADAPTERS

-



ELECTRICAL DETAILS	Input voltage 120V	Output current 1000mA	Power factor 98.7%	Driver type Constant current	Dimming type Triac, 0-10V, ELV
	Output voltage 30-42V	LED model # 2835	THD harmonic distortion <30%	Binning type 3 SDCM	

FEATURES	Integrated dimmable driver	Minimal heat emission	Adjustable height up to 10 feet	Multiple fixtures can be connected together
	Superior LED performance and lifespan	Back-lit technology Unique up/down light output	Switch-selectable CCT: 2700K/ 3000 K/ 3500 K/ 4000 K/ 5000 K	

WARRANTY DALS offers a 5-year warranty from the date of purchase which covers repairs or replacement of defective parts of the housing, optics, and electronics. To contact DALS customer service call 1-877-430-1818 or send an e-mail to info@dals.com.

RECOMMENDED DIMMER LIST*

BRAND	MODEL #	DIMMER SPECS	GRADE	DIMMING RANGE (%)		MAX LOAD
				MIN	MAX	
Dals	SM-DIMSW Smart Dimmer	Triac, 250W LED/CFL	Compatible	2	100	6
Lutron	DVCL-153PR-WH-C	Triac, 150 W Dimmable CFL/LED	Compatible	2	100	4
Lutron	STCL-153PH-WH-C	Triac, 150 W Dimmable CFL/LED	Compatible	0	100	4
Lutron	DVWCL-153PH-WHC	Triac, 150 W Dimmable CFL/LED	Compatible	2	100	4
Lutron	MACL-153MRHW-WHC	Triac, 150 W Dimmable CFL/LED	Compatible	0	100	4
Lutron	DVELV-300P-WH	300W electronic low voltage dimmer	Compatible	3	96	8
Lutron	MA-PRO-WH	ELV, 250W LED/CFL	Compatible	0	100	6
Lutron	Caseta PD-6WCL-WH-R-C	Triac, 300W Dimmable CFL/LED	Compatible	0	100	8
Lutron	Caseta PD-10NXD-WH	Triac, LED—up to 250 W	Compatible	0	100	6
Leviton	DSM10	Triac, 450W Dimmable CFL/LED	Compatible	12	100	11
Leviton	6674	Triac, 150 W Dimmable CFL/LED	Compatible	3	99	4
Leviton	IPL06-10Z	Triac, 150 W Dimmable CFL/LED	Compatible	6	99	4
Leviton	DSL06-752	Triac, 150 W Dimmable CFL/LED	Compatible	6	99	4
Leviton	D26HD-742-1RW	Triac, 300W LED/CFL	Compatible	4	99	8
Legrand	RHCL453PNICCV4	Triac, 450W Dimmable CFL/LED	Compatible	5	99	11
Legrand	ADTP703TUM4	Triac, 450W Dimmable CFL/LED	Compatible	7	97	11
Legrand	ADPD453LM2	Triac, 450W Dimmable CFL/LED	Compatible	22	99	11
Control 4	C4-APD120-WH	ELV, 120W LED	Compatible	0	100	3
Control 4	C4-FPD120-WH	Triac, 200W LED	Compatible	0	100	5

* Minimal buzzing noise may occur with some dimmers